

- NOTES:
1. MATERIALS: HOUSING - LIQUID CRYSTAL POLYMER (LCP) GLASS-FILLED, UL94V-0
TERMINALS - HIGH PERFORMANCE COPPER ALLOY
 2. FINISH: 30μ MIN GOLD IN CONTACT AREA.
SELECTIVE TIN ON PCB TAILS.
NICKEL OVERALL.
 3. REFER TO MOLEX PRODUCT SPECIFICATION PS-76060-999 FOR PERFORMANCE SPECIFICATIONS AND ADDITIONAL PCB INFORMATION.
 4. THIS PART CONFORMS TO CLASS B REQUIREMENTS OF MOLEX COSMETIC SPEC PS-45499-002.
 5. PACKAGE PER: PK-70873-764.
 6. SEE SHEETS 2 & 3 FOR PART NUMBERS AND BOARD RELATIONSHIPS.
 7. MATES WITH IMPACT DC SERIES NO. 76850.
 8. REFER TO MOLEX PCB ROUTING GUIDE AS-76060-990 FOR ANTIPAD AND ROUTING RECOMMENDATIONS.
 9. KEEP OUT ZONE FOR BP HOUSING LENGTH INCLUDES AN ADDITIONAL 1.0MM TO ACCOMODATE FOR SPACE REQUIRED BY DC FRONT HOUSING.
 10. CONNECTORS SUPPLIED WITH A 2-56 UNC-2A SCREW.

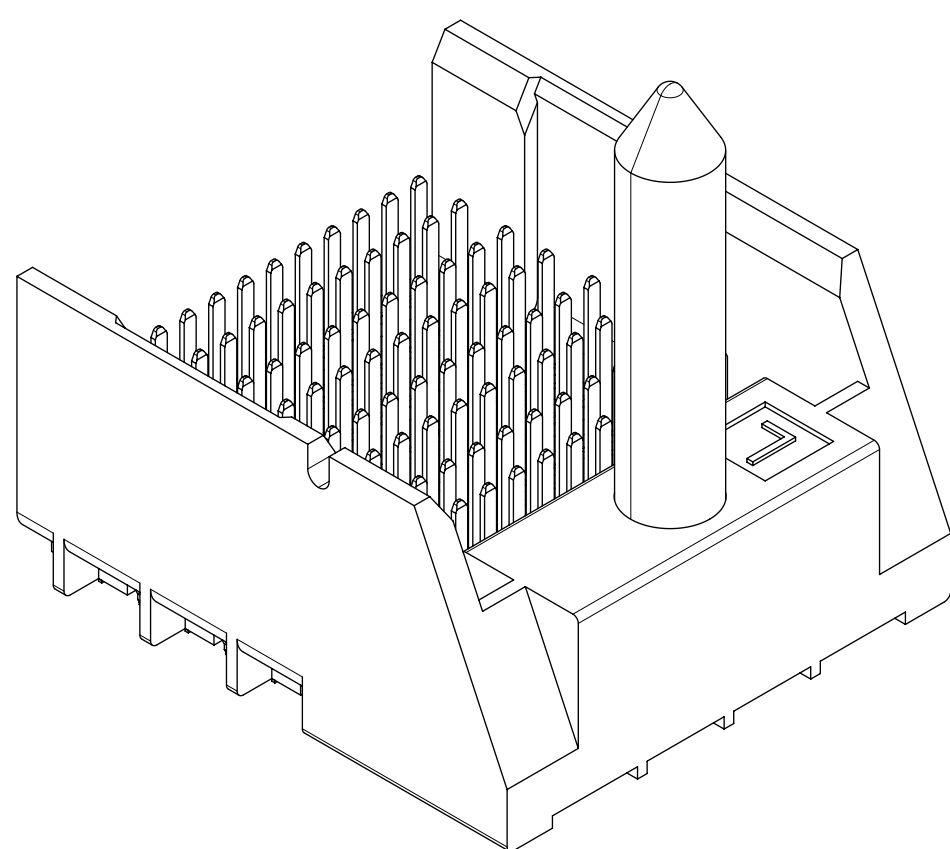
KEEP-OUT ZONE SEE NOTE 9

LEFT GUIDED BACKPLANE HOLE PATTERN (CONNECTOR SIDE)

SEE CHART (12 HOLES PER COLUMN)

QUALITY SYMBOLS	THIS DRAWING CONTAINS INFORMATION THAT IS PROPRIETARY TO MOLEX ELECTRONIC TECHNOLOGIES, LLC AND SHOULD NOT BE USED WITHOUT WRITTEN PERMISSION		GENERAL TOLERANCES (UNLESS SPECIFIED)		DIMENSION UNITS	SCALE	molex		
▽ = 0			ANGULAR TOL ± 0.5 °		mm	4:1			
▽ = 0	MIGRATED TO NX		4 PLACES ±		DRWN BY	DATE	4 PAIR HEADER ASSEMBLY LEFT GUIDE SALES		
▽ = 0	EC NO: 123922		3 PLACES ±		DVARVARA	2012/09/10	DRAWING		
▼ = 0	DRWN: NSRVATSAHS		2 PLACES ± 0.13		CHKD BY	DATE	PRODUCT CUSTOMER DRAWING		
▽ = 0	CHKD: PRAMASWAMY		1 PLACE ± 0.25		PRAMASWAMY	2010/04/01	SERIES MATERIAL NUMBER CUSTOMER		
⊠ = 0	REV / APPR: PRAMASWAMY		0 PLACES ±		APPR BY	DATE	76849 SEE CHART GENERAL MARKET		
■ = 0	A1		DRAFT WHERE APPLICABLE MUST REMAIN WITHIN DIMENSIONS		JBINGHAM	2012/09/24	DOCUMENT NUMBER DOC TYPE DOC PART SHEET NUMBER		
▽ = 0					C	THIRD ANGLE PROJECTION	SD-76849-0002 PSD 001 1 OF 3		

MATERIAL NUMBER	# OF COLUMNS	# OF DIFF PAIR	DIM "A"	DIM "B"	MODULE TYPE
76849-780*	8	32	24.3	14.05	WITH ENDWALL
76849-380*	8	32	22.9	14.05	NO ENDWALL



GUIDE LEFT OPEN END

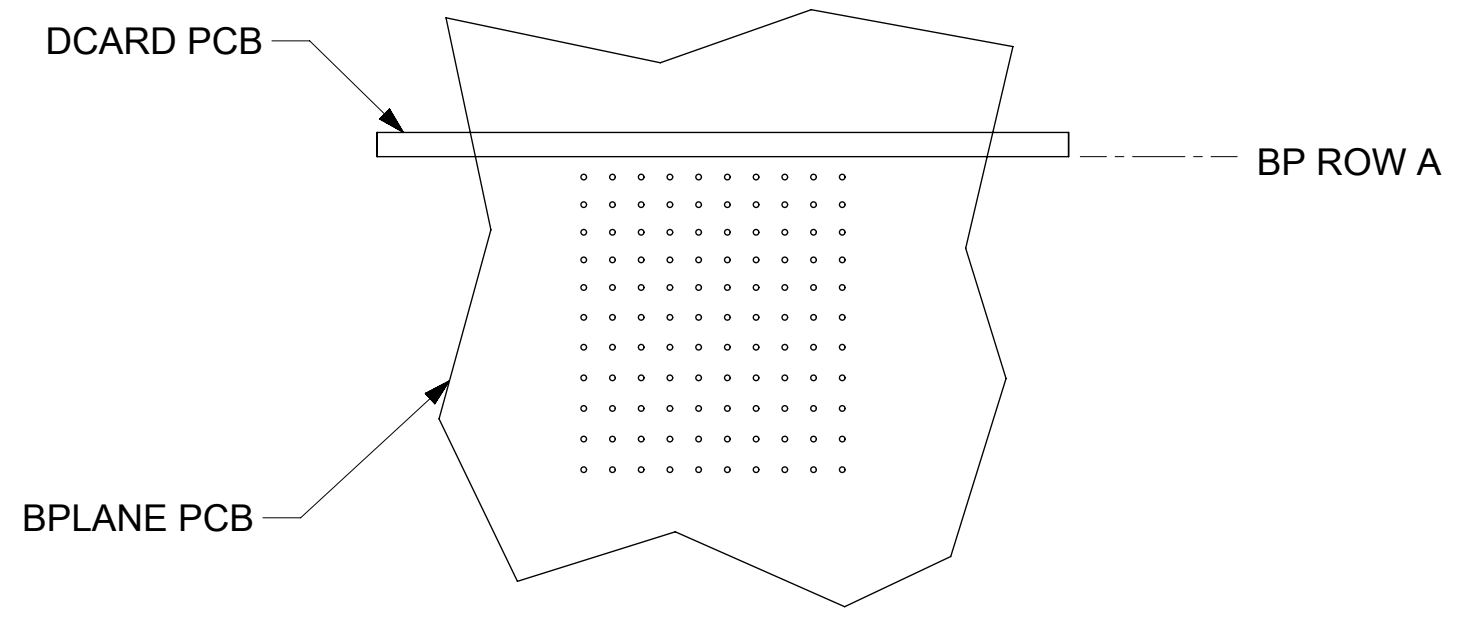
76849- * *0*

MODULE TYPE
 3 = GUIDE LEFT NO ENDWALL, TIN
 7 = GUIDE LEFT END WALL, TIN

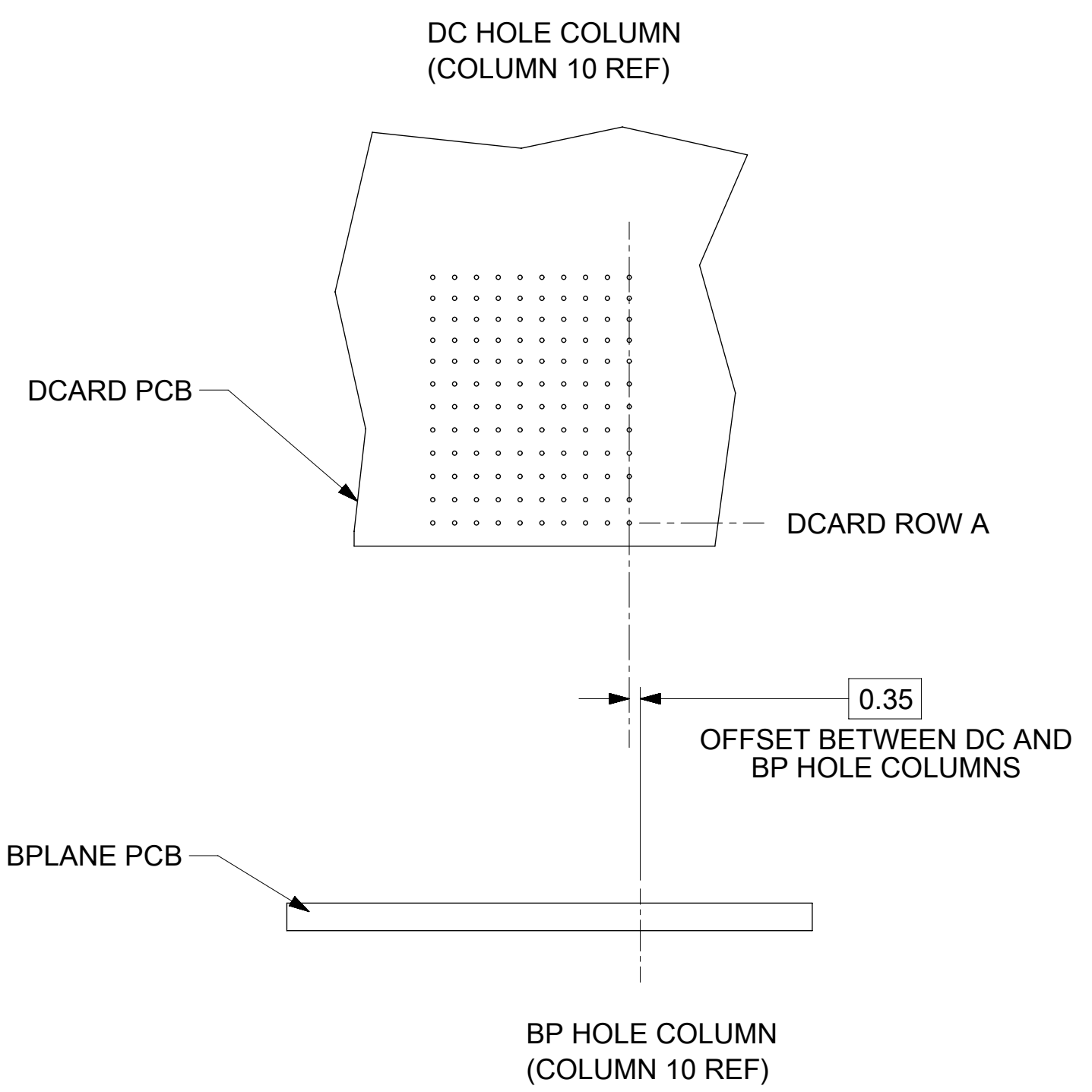
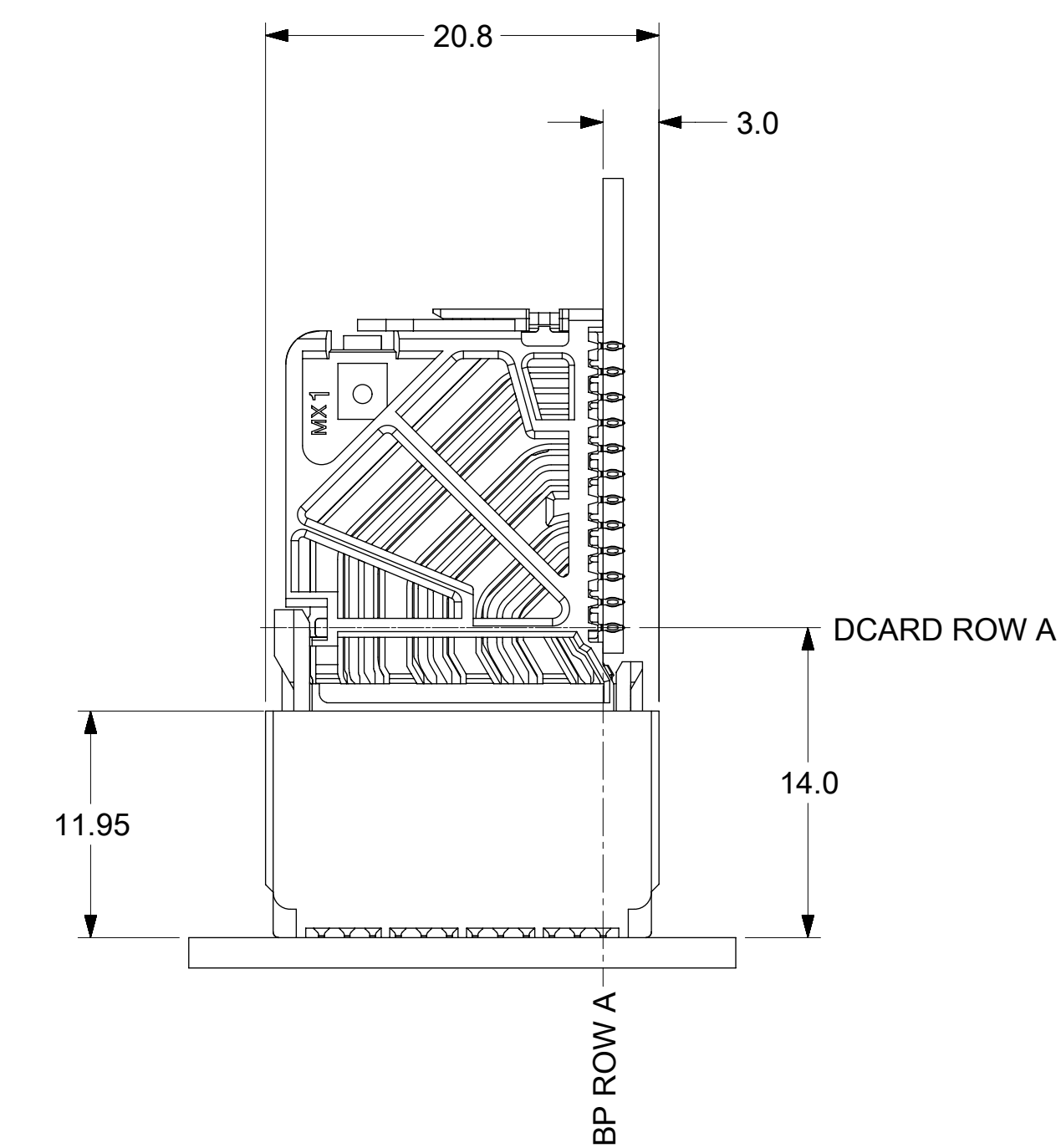
PIN LENGTH (P)
 4 = 4.90, (0.46 PTH)
 5 = 5.50, (0.46 PTH)
 7 = 4.90, (0.39 PTH)
 8 = 5.50, (0.39 PTH)

OF COLUMNS
 8 = 8 COLUMN

QUALITY SYMBOLS	THIS DRAWING CONTAINS INFORMATION THAT IS PROPRIETARY TO MOLEX ELECTRONIC TECHNOLOGIES, LLC AND SHOULD NOT BE USED WITHOUT WRITTEN PERMISSION											
▽ = 0	MIGRATED TO NX EC NO: 123322 DRWN: NSRVATSAHS CHKD: PRAMASWAMY REV / APPR: PRAMASWAMY	2017/10/09 2017/10/17 2017/10/18	GENERAL TOLERANCES (UNLESS SPECIFIED)		DIMENSION UNITS	SCALE	molex					
▽ = 0			ANGULAR TOL ± 0.5 °		mm	4:1						
▽ = 0			4 PLACES ±		DRWN BY	DATE	IMPACT ORTHO ROUTABLE 4 PAIR HEADER ASSEMBLY LEFT GUIDE SALES DRAWING					
▼ = 0			3 PLACES ±		DVARVARA	2012/09/10						
▽ = 0			2 PLACES ± 0.13		CHKD BY	DATE	PRODUCT CUSTOMER DRAWING					
▽ = 0			1 PLACE ± 0.25		PRAMASWAMY	2010/04/01						
⊠ = 0			0 PLACES ±		APPR BY	DATE	SERIES MATERIAL NUMBER CUSTOMER 76849 SEE CHART GENERAL MARKET					
■ = 0			DRAFT WHERE APPLICABLE MUST REMAIN WITHIN DIMENSIONS		JBINGHAM	2012/09/24						
▽ = 0			A1	REV	DRAWING SIZE	THIRD ANGLE PROJECTION	DOCUMENT NUMBER		DOC TYPE	DOC PART	SHEET NUMBER	
					C		SD-76849-0002	PSD	001	2 OF 3		



IMPACT ORTHO 4 PAIR BOARD RELATIONSHIPS



QUALITY SYMBOLS		THIS DRAWING CONTAINS INFORMATION THAT IS PROPRIETARY TO MOLEX ELECTRONIC TECHNOLOGIES, LLC AND SHOULD NOT BE USED WITHOUT WRITTEN PERMISSION									
▽ = 0	▽ = 0	MIGRATED TO NX EC NO: 123322 DRWN: NSRVATSAHS CHKD: PRAMASWAMY REV / APPR: PRAMASWAMY	GENERAL TOLERANCES (UNLESS SPECIFIED)			DIMENSION UNITS	SCALE	molex			
▽ = 0	▽ = 0		ANGULAR TOL ± 0.5 °			mm	3:1				
▽ = 0	▽ = 0		4 PLACES ±	DRWN BY		DATE		IMPACT ORTHO ROUTABLE 4 PAIR HEADER ASSEMBLY LEFT GUIDE SALES DRAWING			
▼ = 0	▽ = 0		3 PLACES ±	DVARVARA		2012/09/10					
▽ = 0	▽ = 0		2 PLACES ± 0.13	CHKD BY		DATE		PRODUCT CUSTOMER DRAWING			
▽ = 0	▽ = 0		1 PLACE ± 0.25	PRAMASWAMY		2010/04/01					
☒ = 0	■ = 0	0 PLACES ±	APPR BY		DATE		SERIES	MATERIAL NUMBER	CUSTOMER		
▽ = 0		DRAFT WHERE APPLICABLE MUST REMAIN WITHIN DIMENSIONS	JBINGHAM		2012/09/24		76849	SEE CHART	GENERAL MARKET		
			DRAWING SIZE	THIRD ANGLE PROJECTION			DOCUMENT NUMBER		DOC TYPE	DOC PART	SHEET NUMBER
			C				SD-76849-0002	PSD	001	3 OF 3	