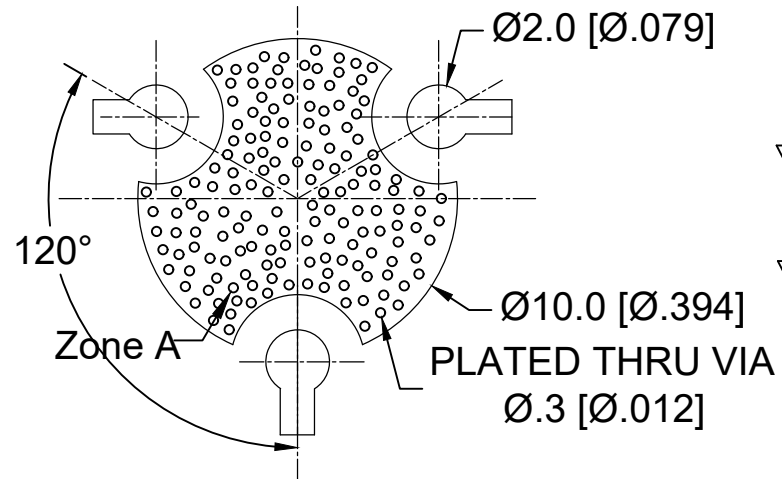
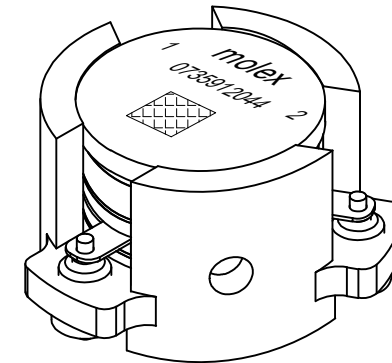
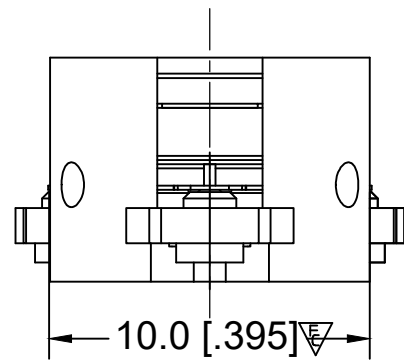
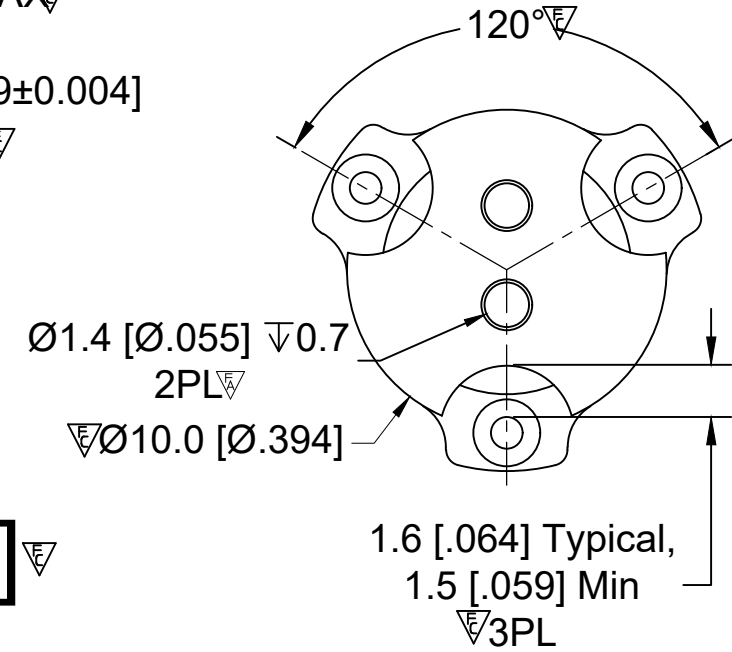
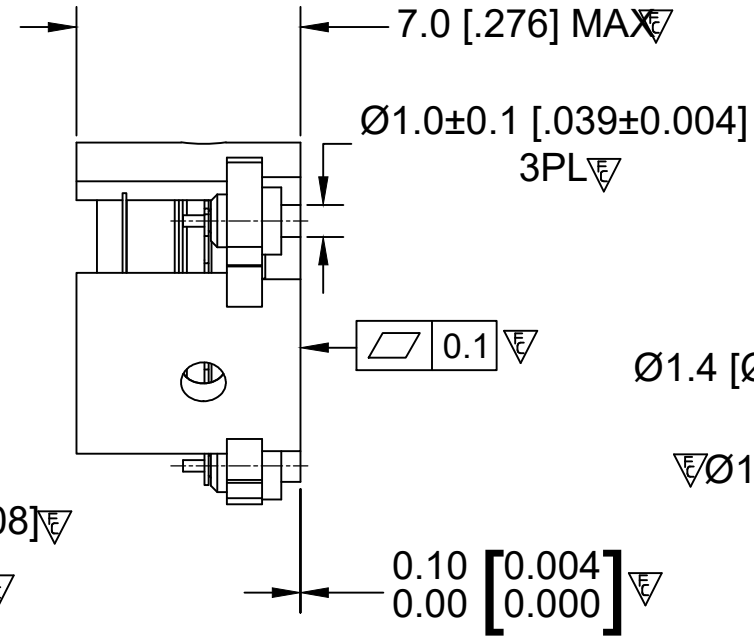
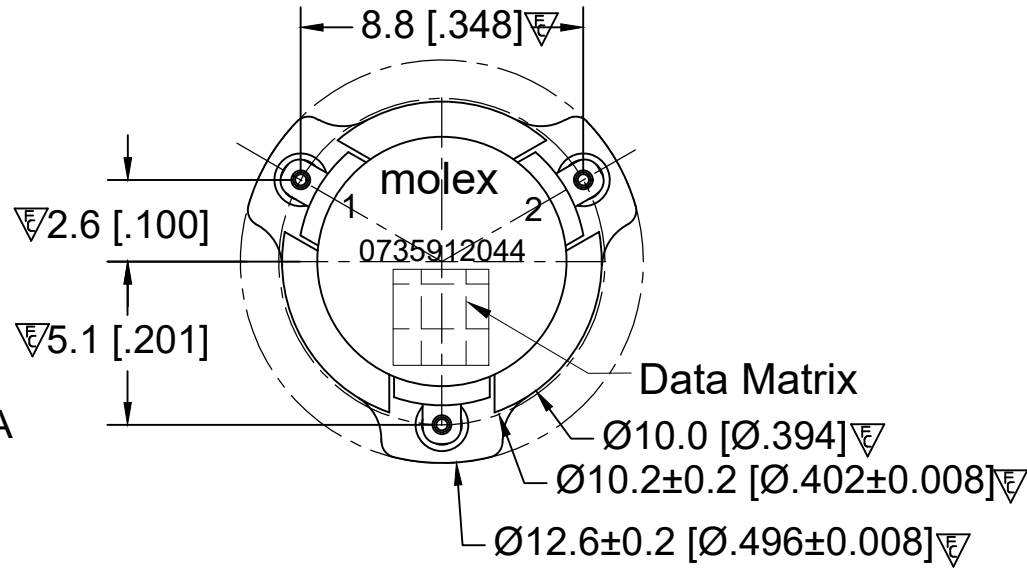


RECOMMENDED LAND PATTERN :

Zone A must be attached to heat sink. Thermal conductivity of intermediate layers between Zone A and heat sink must be better than 0.1 W / [°C x mm].



PCB Material :Rogers RO4350B,0.508mm thickness
trace width 1.07mm wide.



BODY: CARBON STEEL, SILVER PLATED
RIGID PINS: COPPER, SILVER PLATED

NOTES:

- 1.STANDARD INPUT/OUTPUT IMPEDANCE 50 Ohm
- 2.LEAD FREE, NO Nd MATERIAL, BeO FREE
- 3.THE DIMENSION OF DATE MATRIX IS 3X3MM INFORMATION INCLUDING WORK ORDER NUMBER-SERIAL NUMBER-MATERIAL NUMBER
- 4.THIS PART COMPLIES WITH ALL RoHS REQUIREMENTS

ELECTRICAL SPECIFICATION :

Frequency Range	: 3400~3600 MHz
Insertion Loss	: 0.35 dB max
Isolation	: 20 dB min
Return Loss	: 20 dB min
IMD3(2x5 W, 1 MHz space)	: -60dBc max
Input Power:	: 50W
Peak Power:	: 200W
Operating Temperature	: -40°C to +105°C
Storage Temperature	: -40°C to +125°C
Direction	: CW

ENG PART#:802-340-360-VP040

FUNCTIONAL SYMBOLS	THIS DRAWING CONTAINS INFORMATION THAT IS PROPRIETARY TO MOLEX ELECTRONIC TECHNOLOGIES, LLC AND SHOULD NOT BE USED WITHOUT WRITTEN PERMISSION		CURRENT REV DESC:		molex
	DIMENSION UNITS	SCALE	RELEASE TO PROD		
$F_A=0$	MM	1:1	EC NO: 696580		SMSJ CIRCULATOR/3400~3600MHZ/CW
$F_E=0$	GENERAL TOLERANCES (UNLESS SPECIFIED)		DRWN: SREN05 2022/02/21		
$F_P=0$			CHK'D: JLI252 2022/02/23		RESTRICTED PRODUCT CUSTOMER DRAWING
DIVISIONAL SYMBOLS			APPR: HWANG186 2022/03/01		
			INITIAL REVISION:		DOCUMENT NUMBER
			DRWN: SREN05 2021/11/15		735912044
			APPR: HWANG186 2022/03/01		PSD 000 A
			DRAFT WHERE APPLICABLE MUST REMAIN WITHIN DIMENSIONS	THIRD ANGLE PROJECTION	DRAWING
					SERIES
					MATERIAL NUMBER
					CUSTOMER
					SHEET NUMBER
					1 OF 1