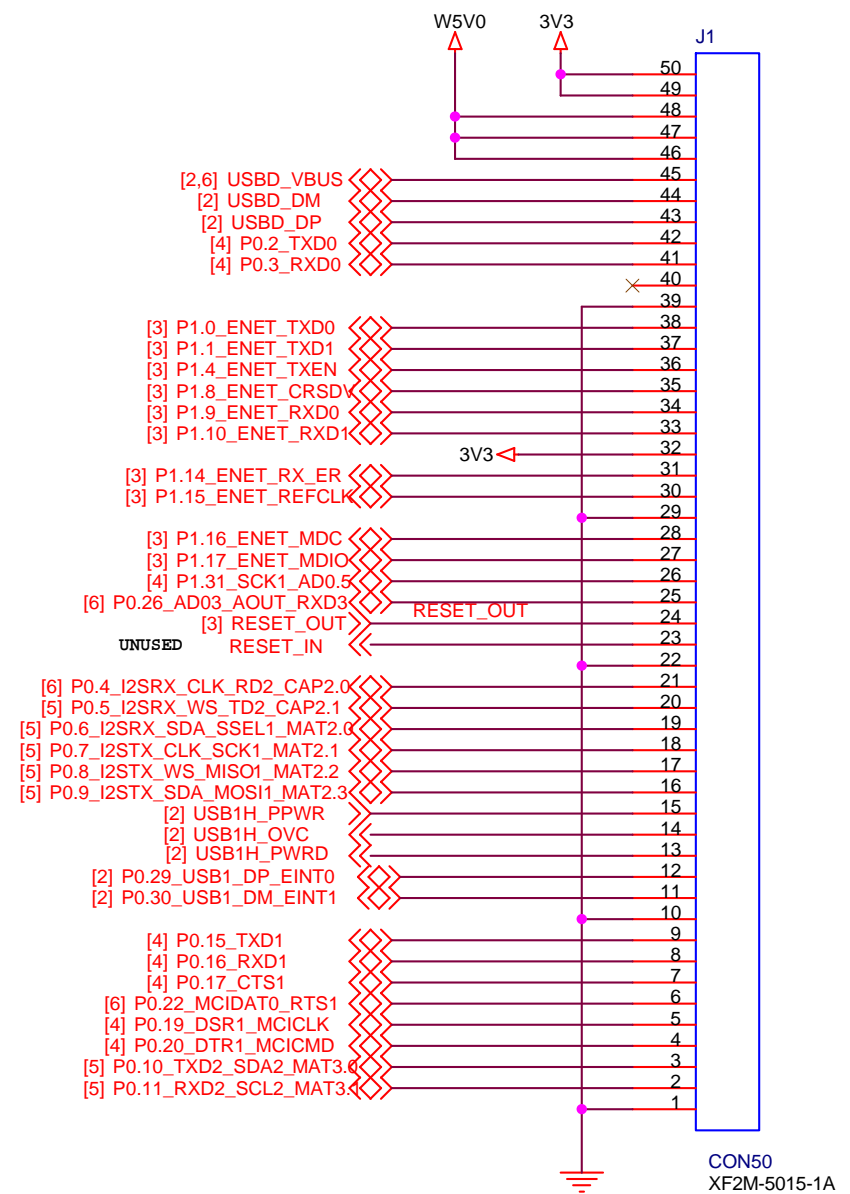


**SECONDARY EXPANSION CONNECTOR**



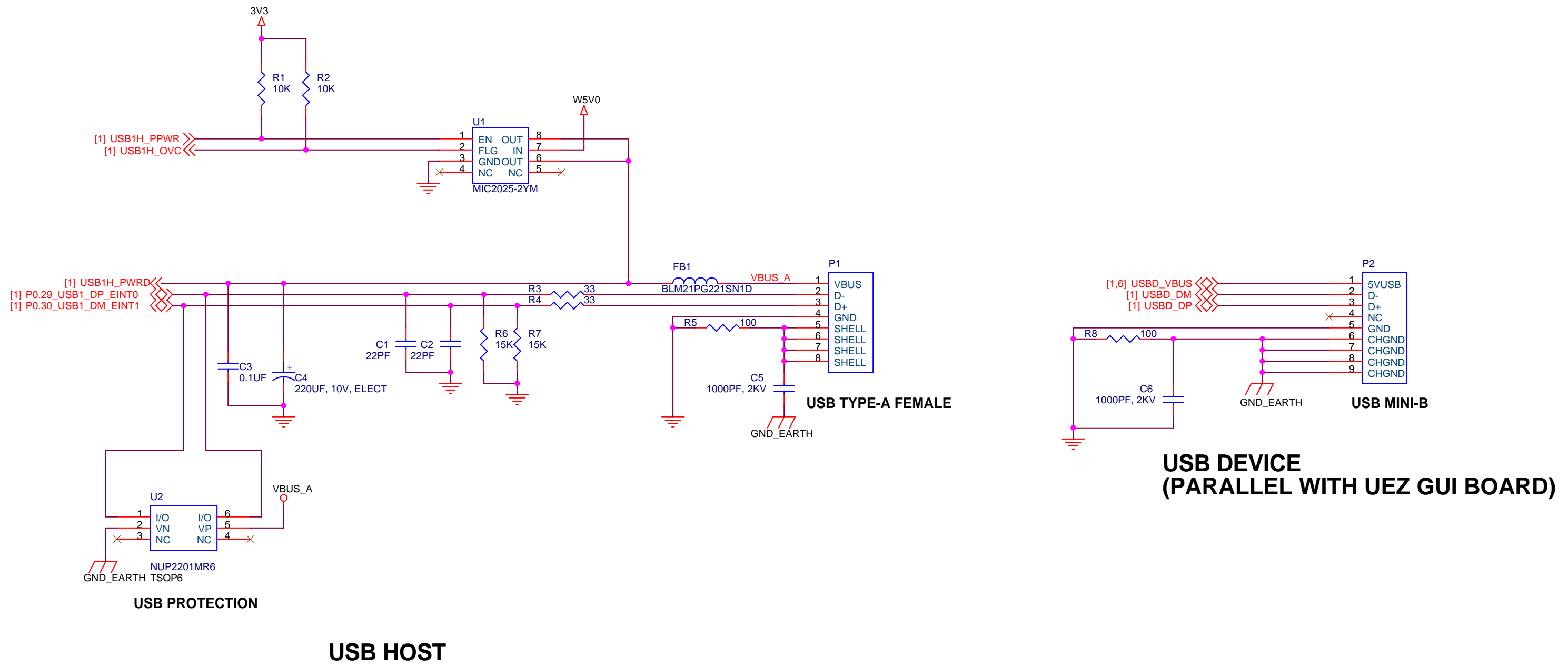
**PRIMARY EXPANSION CONNECTOR**

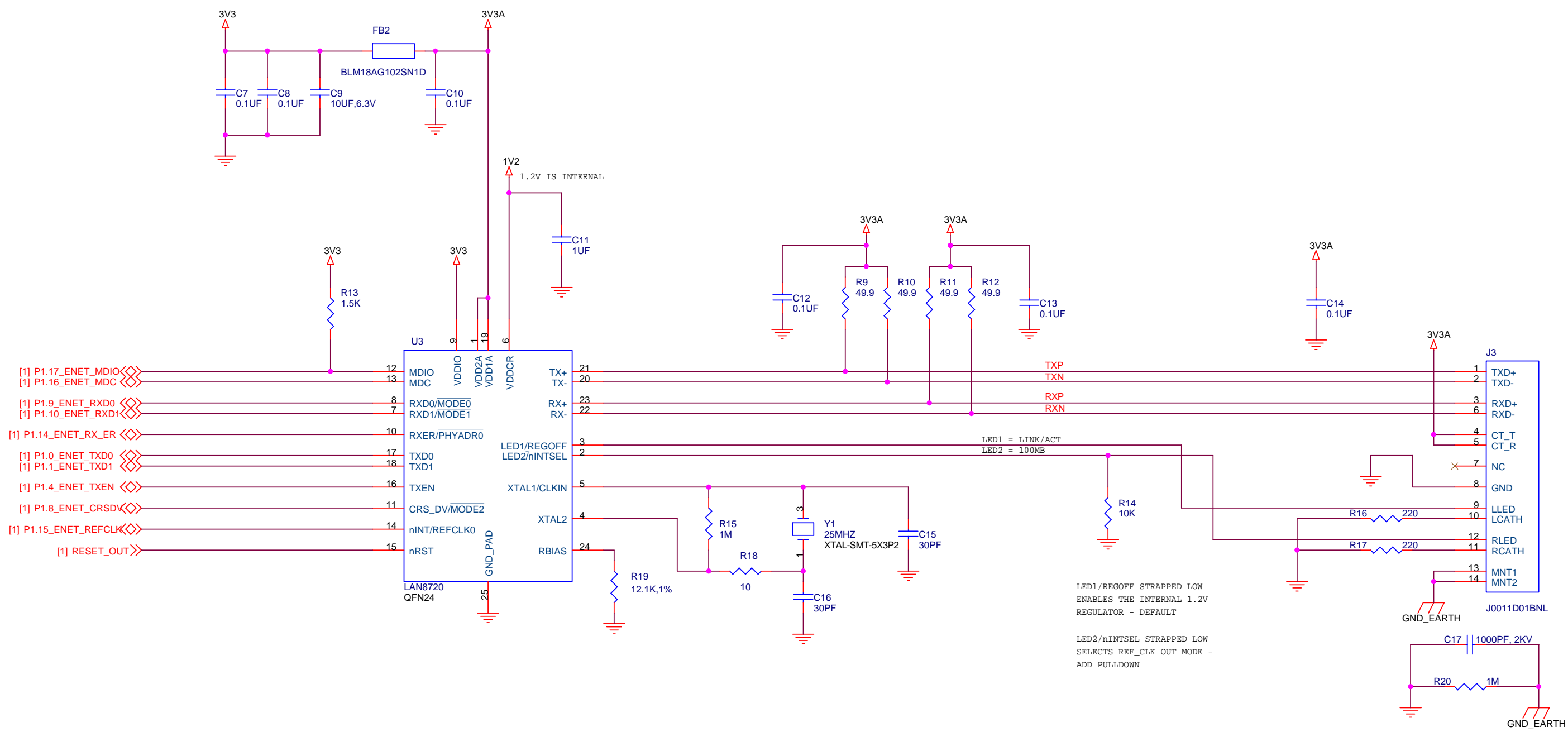


**NOTE: PINOUT IS 1:1 TO MAIN BOARD AS THE BOARDS ARE CONFIGURED FOR COMPONENTS TOWARDS EACH OTHER**



FUTURE DESIGNS, INC. 2702 TRIANA BLVD HUNTSVILLE, AL 35805		<b>FDI</b>
Title IO CONNECTORS		
Size B	Document Number uEZ GUI 7 EXPANSION BOARD	Rev 1X
Date:	Thursday, October 07, 2010	Sheet 1 of 6



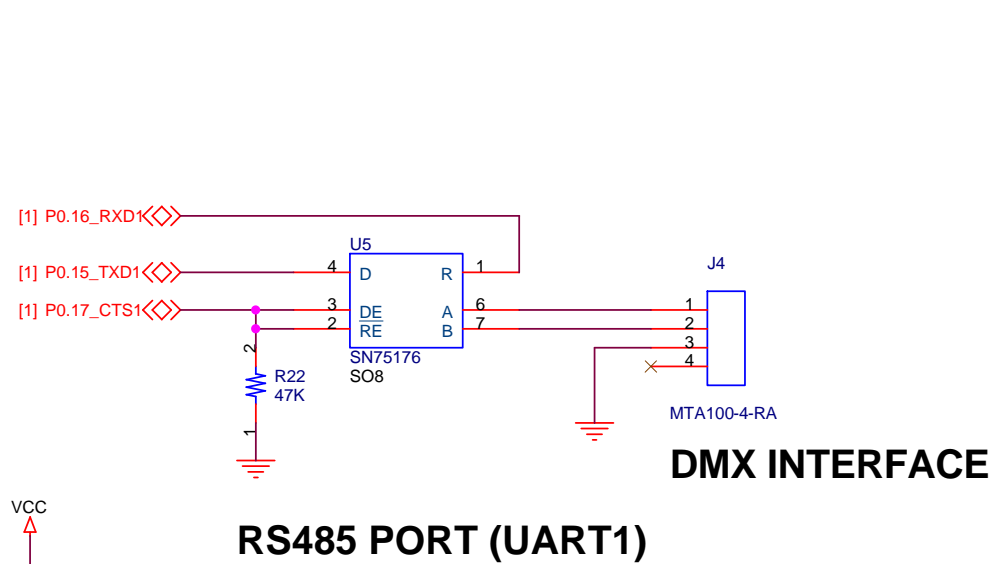


# ETHERNET

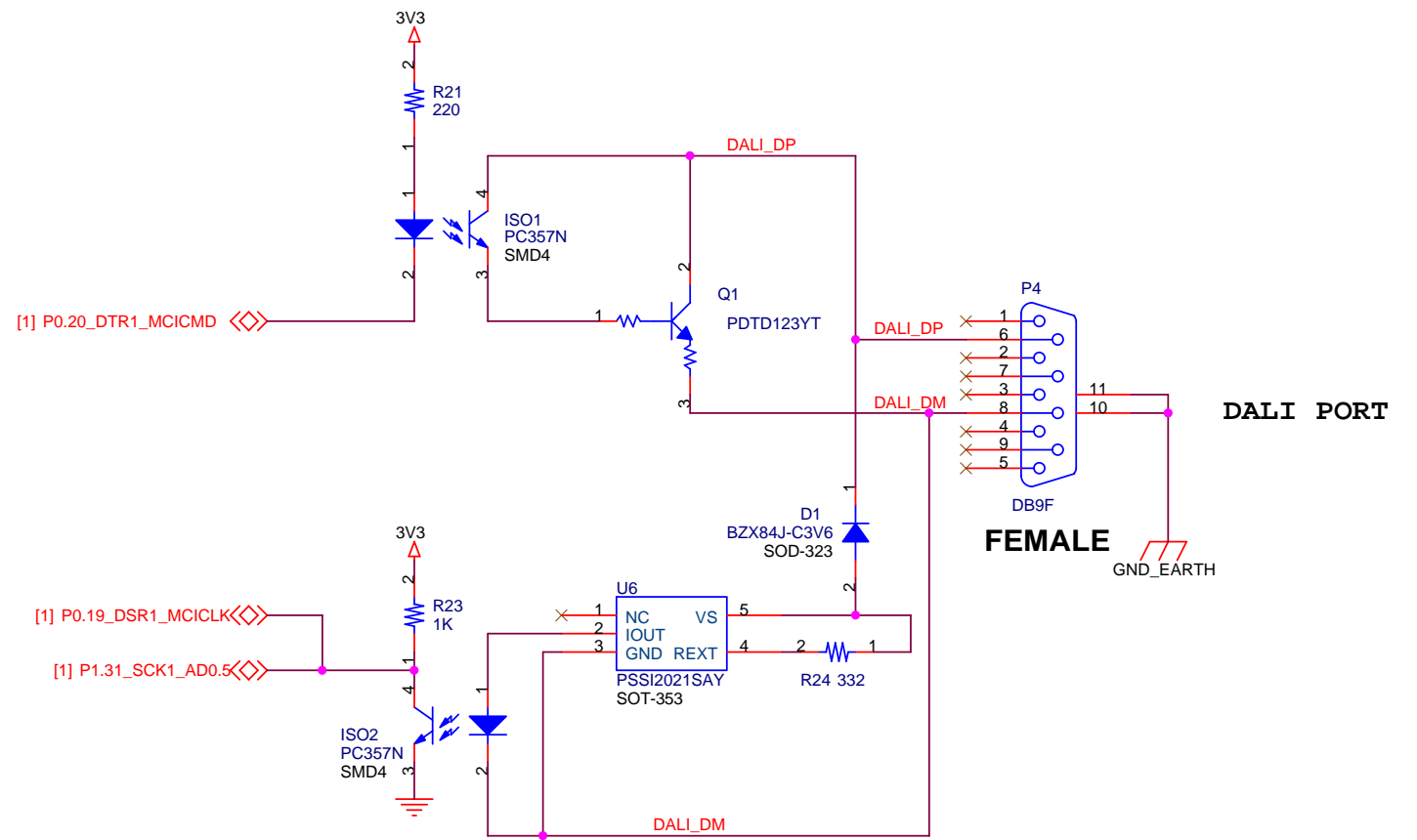
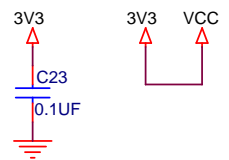
LED1/REGOFF STRAPPED LOW  
 ENABLES THE INTERNAL 1.2V  
 REGULATOR - DEFAULT

LED2/nINTSEL STRAPPED LOW  
 SELECTS REF\_CLK OUT MODE -  
 ADD PULLDOWN

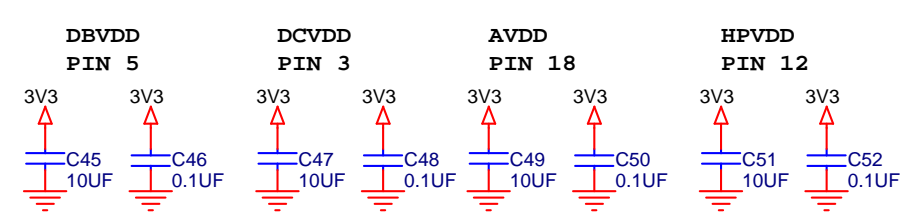
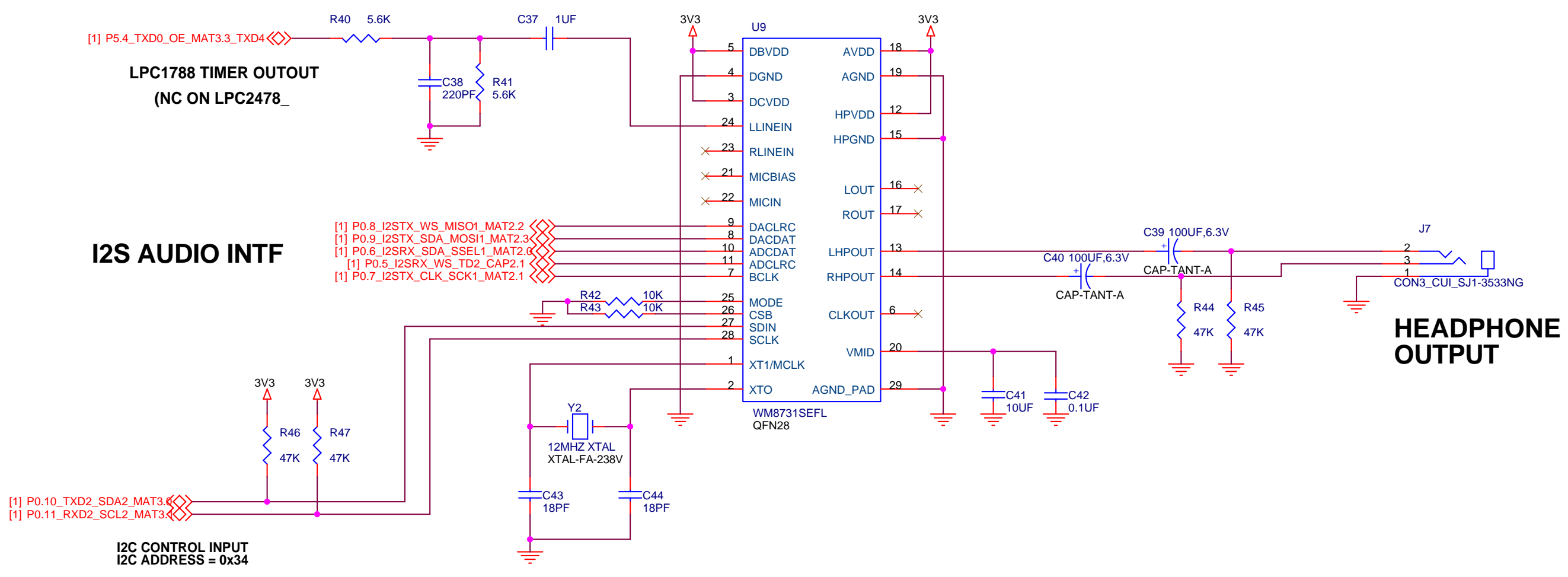
FUTURE DESIGNS, INC. 2702 TRIANA BLVD HUNTSVILLE, AL 35805		<b>FDI</b>
Title ETHERNET PHY/JACK		
Size	Document Number uEZ GUI 7 EXPANSION BOARD	Rev 1X
Date:	Thursday, October 07, 2010	Sheet 3 of 6



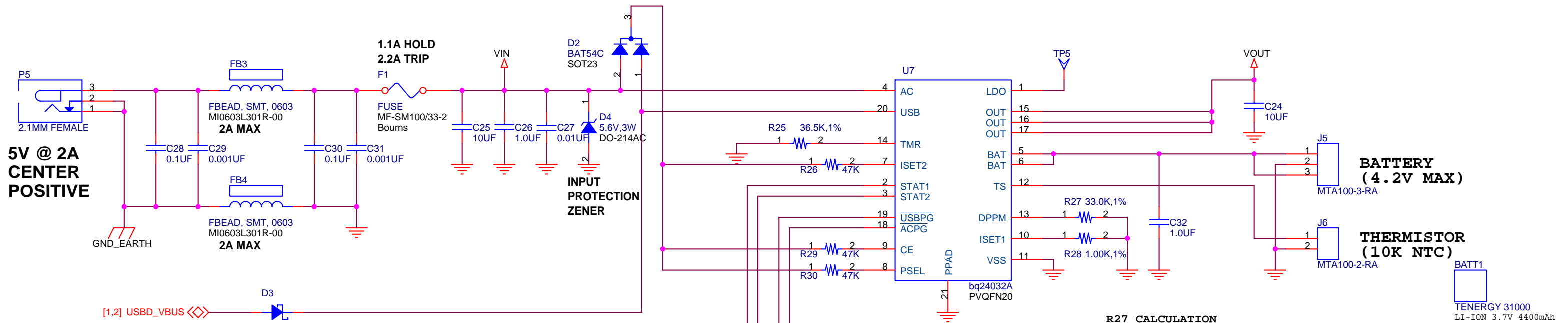
**RS485 PORT (UART1)**



<b>FUTURE DESIGNS, INC.</b> 2702 TRIANA BLVD		<b>FDI</b>
Title SERIAL PORTS		
Size	Document Number uEZ GUI 7 EXPANSION BOARD	Rev 1X
Date:	Thursday, October 07, 2010	Sheet 4 of 6



FUTURE DESIGNS, INC. 2702 TRIANA BLVD HUNTSVILLE, AL 35805		<b>FDI</b>
Title: AUDIO		
Size:	Document Number uEZ GUI 7 EXPANSION BOARD	Rev 1X
Date:	Thursday, October 07, 2010	Sheet 5 of 6



**5V @ 2A  
CENTER  
POSITIVE**

**USB POWER INPUT  
(MAY NEED TO SIMPLY SHORT THIS  
OR NOT USE AT ALL)**

**BATTERY CHARGER/  
POWER MANAGER**

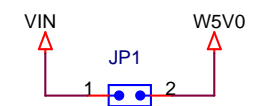
**BATTERY  
(4.2V MAX)**

**THERMISTOR  
(10K NTC)**

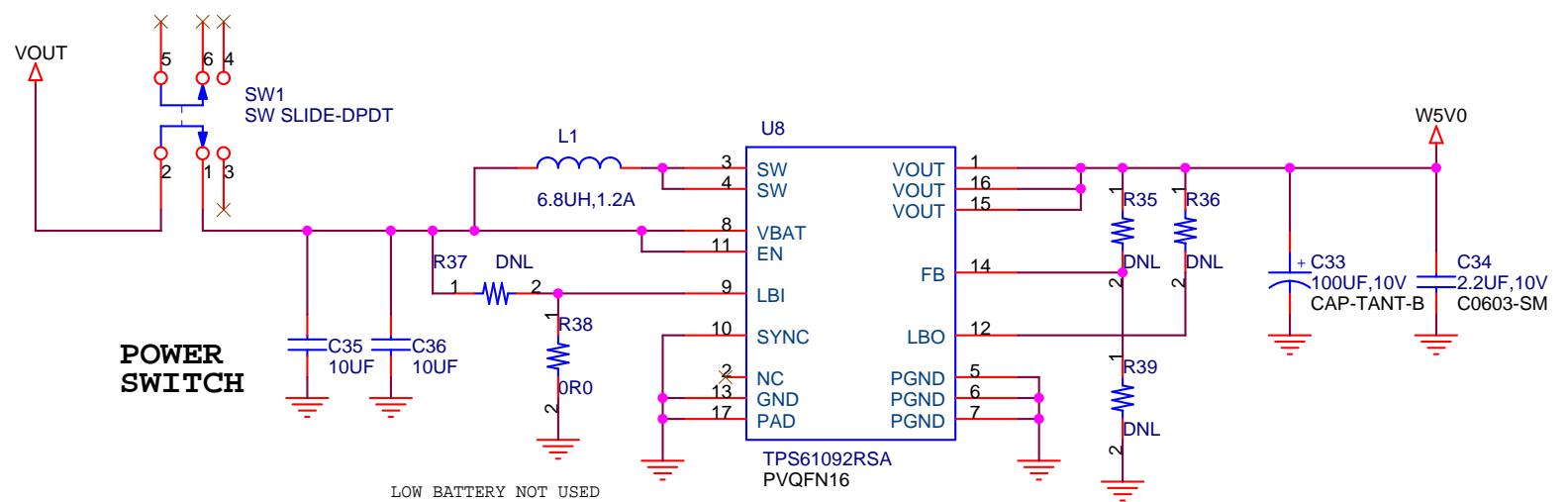
**R27 CALCULATION**  
 $V_{dppm} = I_{dppm} \times R_{dppm} \times S_{Fdppm}$   
 WHERE  $I_{dppm} = 100\mu A$ ,  $S_{Fdppm} = 1.15$   
 DESIRED VOLTAGE IS 4.2V MIN

**R28 CALCULATION**  
 $I_o = V_{set} \times K_{set} / R_{set}$   
 WHERE  $V_{set} = 2.5V$  &  $K_{set} = 425$   
 WANT 1A OF CHARGE CURRENT IF AVAILABLE

**BATTERY CHARGER STATUS  
AND  
POWER MANAGER STATUS**



**OPTIONAL  
POWER  
CIRCUIT  
BYPASS**



**POWER  
SWITCH**

**5V BOOST CONTROLLER**

FUTURE DESIGNS, INC. 2702 TRIANA BLVD HUNTSVILLE, AL 35805		<b>FDI</b>
Title POWER INPUT/ BATTERY CHARGER		
Size	Document Number uEZ GUI 7 EXPANSION BOARD	Rev 1X
Date:	Thursday, October 07, 2010	Sheet 6 of 6