



PART NAME

NEMA 4X PLASTIC BOX (PTS SERIES)

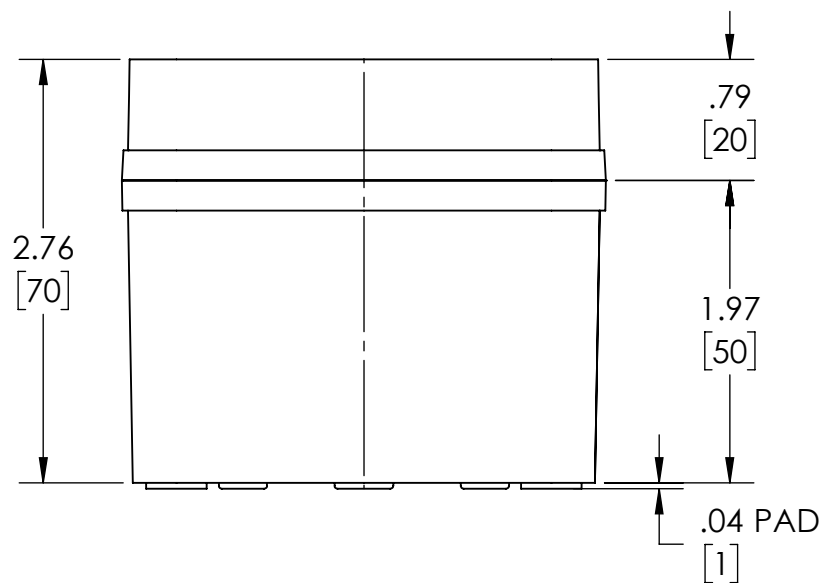
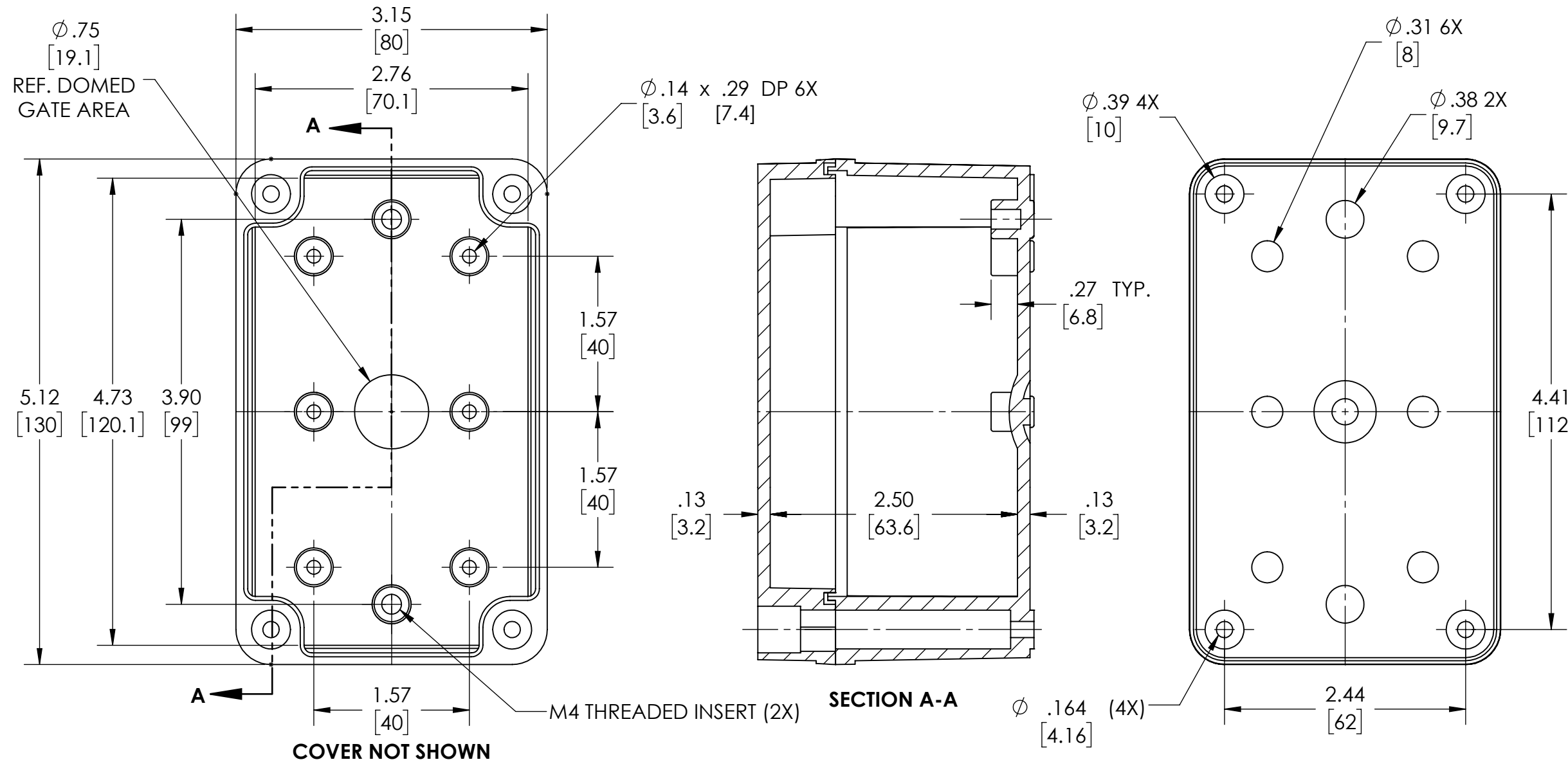
PART No.

PTS-25312 & PTS-25312-C

REVISION DATE

5-2-16

DRAWING FOR REFERENCE
 WE RESERVE THE RIGHT TO MAKE CHANGES TO OUR
 STANDARD PRODUCTS. PLEASE CONSULT WITH BUD INDUSTRIES
 PRIOR TO USING THIS DRAWING FOR DESIGN PURPOSE.



NOTES:

1- MATERIAL: BODY - GRAY POLYCARBONATE RESIN 10% GLASS FIBER FILLED
 COVER - GRAY OR CLEAR (-C SUFFIX) POLYCARBONATE

2- UL508 / NEMA TYPE 4X WITH IP-67 TUV RATING & UL-94V0

3- CONTINUOUS Poured FOAM GASKET IN COVER

4- COVER ATTACHES WITH NON-METALLIC CAPTIVE SCREWS
 (ITEMS NOT SHOWN)

5- SUPPLIED WITH TWO M4 x 8mm LG. PAN HEAD ZINC PLATED
 STEEL SCREWS (ITEMS NOT SHOWN)

6- DIMENSIONS ARE INCH [MM]

OPTIONAL ACCESSORIES:

STEEL INTERNAL PANEL #PTX-25312

PLASTIC INTERNAL PANEL #PTX-25312-P

MOUNTING BRACKET KIT (STAINLESS STEEL) #NBX-10922

MOUNTING BRACKET KIT (PLASTIC) #PIX-4117

