

## Cascadable Amplifier 10 to 500 MHz

Rev. V2

### Features

- HIGH POWER OUTPUT: +27.5 dBm (TYP.)
- HIGH THIRD ORDER I.P.: +39 DBm (TYP.)
- MODERATE NOISE FIGURE: 5.2 dB (TYP.)
- GaAs FET AMPLIFIER

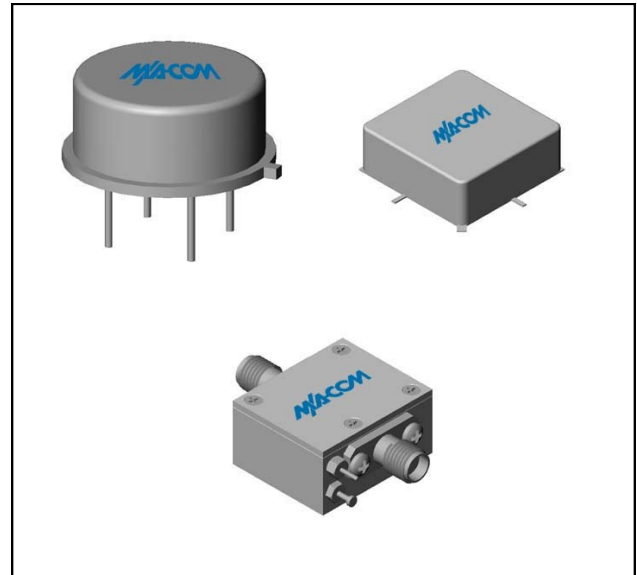
### Description

The PA512 0.5 watt RF power amplifier is a discrete hybrid design, which uses thin film manufacturing processes for accurate performance and high reliability. This 2 stage GaAs FET transistor design uses a feedback loop for flat broadband performance. An active DC biasing network insures temperature-stable performance. MIL-STD-883 environmental screening is available.

### Ordering Information

Part Number	Package
PA512	TO-8
SMPA512	Surface Mount
CPA512	SMA Connectorized

### Product Image



### Electrical Specifications: $Z_0 = 50\Omega$ , $V_{CC} = +15 V_{DC}$

Parameter	Units	Typical	Guaranteed	
		25°C	0° to 50°C	-54° to +85°C*
Frequency	MHz	10-700	10-500	10-500
Small Signal Gain (min)	dB	18.0	16.0	15.0
Gain Flatness (max)	dB	±0.3	±0.7	±1.0
Reverse Isolation	dB	24		
Noise Figure (max)	dB	5.2	6.0	6.5
Power Output @ 1 dB comp. (min)	dBm	27.5	26.0	25.5
IP3	dBm	+33		
IP2	dBm	+45		
Second Order Harmonic IP	dBm	+50		
VSWR Input / Output (max)		1.4:1 / 2.0:1	1.8:1 / 2.2:1	2.0:1 / 2.3:1
DC Current @ 15 Volts (max)	mA	200	210	220

### Absolute Maximum Ratings

Parameter	Absolute Maximum
Storage Temperature	-62°C to +150°C
Case Temperature	+85°C
DC Voltage	+17 V
Continuous Input Power	+17 dBm
Short Term Input power (1 minute max.)	100 mW
Peak Power (3 μsec max.)	0.5 W
"S" Series Burn-In Temperature (case)	+85°C

### Thermal Data: $V_{CC} = +15 V_{DC}$

Parameter	Rating
Thermal Resistance $\theta_{jc}$	°C/W
Transistor Power Dissipation $P_d$	W
Junction Temperature Rise Above Case $T_{jc}$	°C

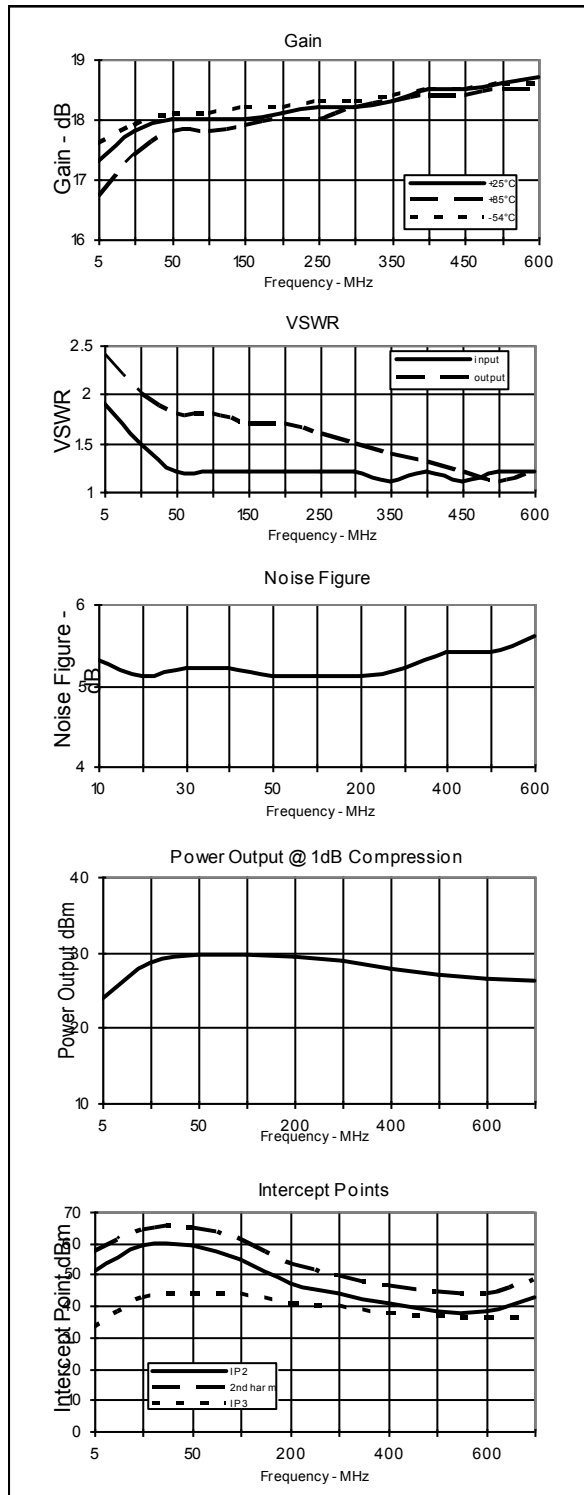
\* Over temperature performance limits for part number CPA512, guaranteed from 0°C to +50°C only.

1

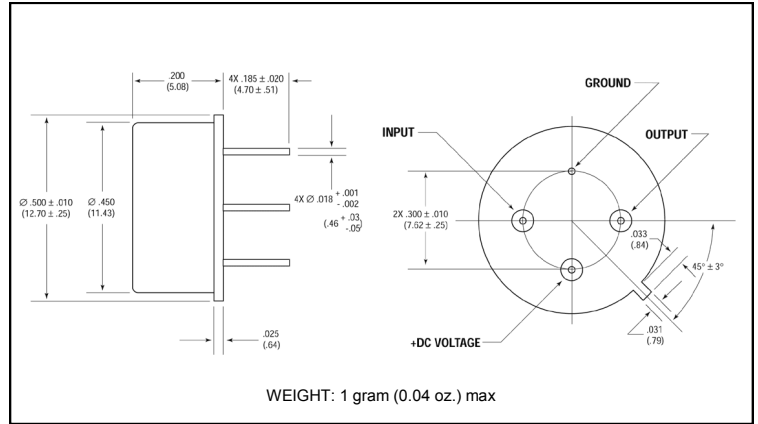
## Cascadable Amplifier 10 to 500 MHz

Rev. V2

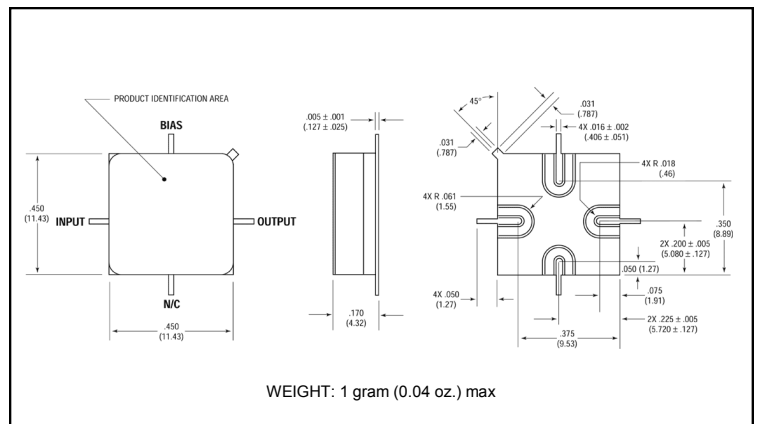
### Typical Performance Curves at +25°C



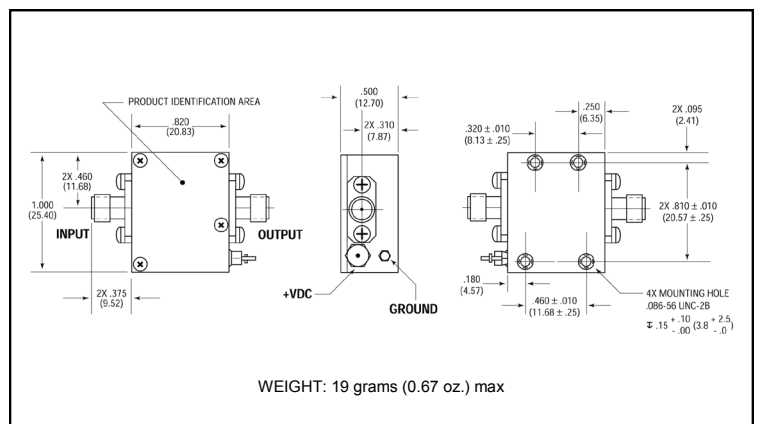
### Outline Drawing: TO-8 \*



### Outline Drawing: Surface Mount \*



### Outline Drawing: SMA Connectorized \*



\* Dimensions are inches (millimeters) ±0.015 (0.38) unless otherwise specified.

M/A-COM Technology Solutions Inc. All rights reserved.

Information in this document is provided in connection with M/A-COM Technology Solutions Inc ("MACOM") products. These materials are provided by MACOM as a service to its customers and may be used for informational purposes only. Except as provided in MACOM's Terms and Conditions of Sale for such products or in any separate agreement related to this document, MACOM assumes no liability whatsoever. MACOM assumes no responsibility for errors or omissions in these materials. MACOM may make changes to specifications and product descriptions at any time, without notice. MACOM makes no commitment to update the information and shall have no responsibility whatsoever for conflicts or incompatibilities arising from future changes to its specifications and product descriptions. No license, express or implied, by estoppel or otherwise, to any intellectual property rights is granted by this document.

THESE MATERIALS ARE PROVIDED "AS IS" WITHOUT WARRANTY OF ANY KIND, EITHER EXPRESS OR IMPLIED, RELATING TO SALE AND/OR USE OF MACOM PRODUCTS INCLUDING LIABILITY OR WARRANTIES RELATING TO FITNESS FOR A PARTICULAR PURPOSE, CONSEQUENTIAL OR INCIDENTAL DAMAGES, MERCHANTABILITY, OR INFRINGEMENT OF ANY PATENT, COPYRIGHT OR OTHER INTELLECTUAL PROPERTY RIGHT. MACOM FURTHER DOES NOT WARRANT THE ACCURACY OR COMPLETENESS OF THE INFORMATION, TEXT, GRAPHICS OR OTHER ITEMS CONTAINED WITHIN THESE MATERIALS. MACOM SHALL NOT BE LIABLE FOR ANY SPECIAL, INDIRECT, INCIDENTAL, OR CONSEQUENTIAL DAMAGES, INCLUDING WITHOUT LIMITATION, LOST REVENUES OR LOST PROFITS, WHICH MAY RESULT FROM THE USE OF THESE MATERIALS.

MACOM products are not intended for use in medical, lifesaving or life sustaining applications. MACOM customers using or selling MACOM products for use in such applications do so at their own risk and agree to fully indemnify MACOM for any damages resulting from such improper use or sale.