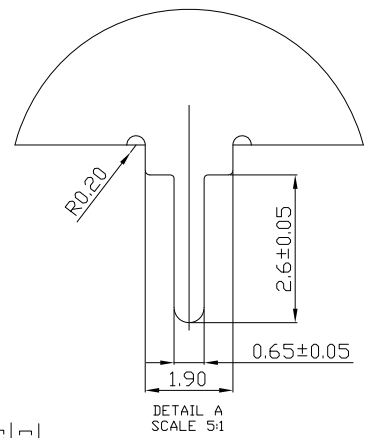
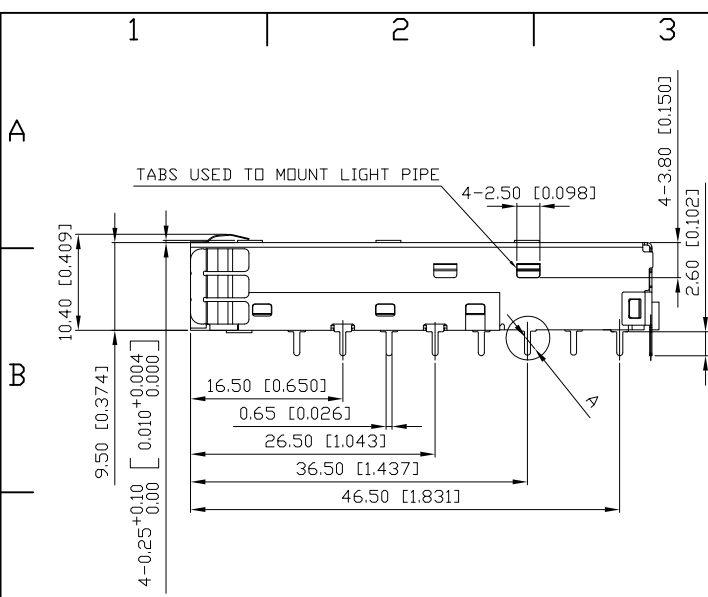
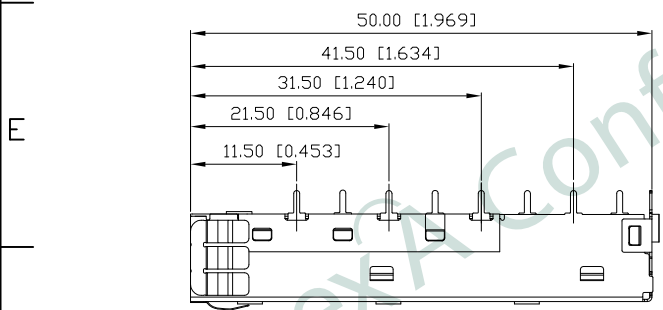
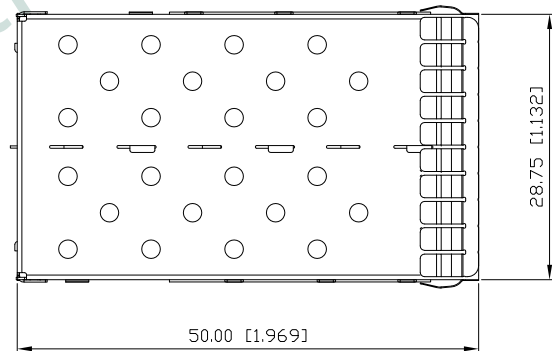
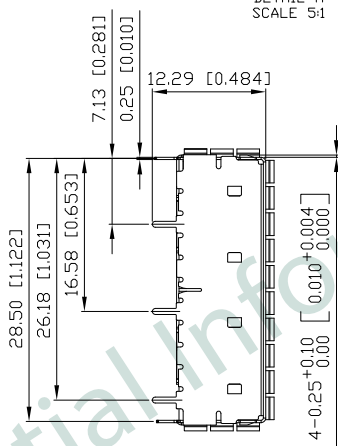
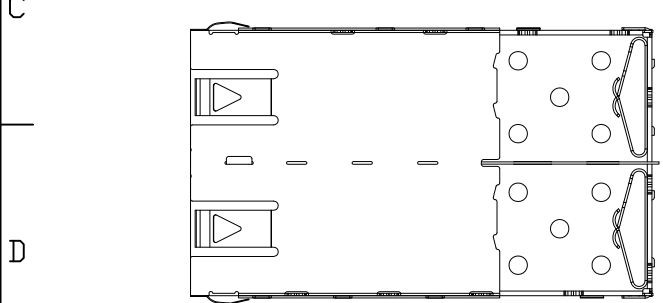


REV.	DATE	DESCRIPTION
01	Sep. 21, '20	1st RELEASE



NOTE:

- MATERIAL:  
SHELL: 0.25mm THICK COPPER ALLOY,  
NICKEL PLATED
- UNSPECIFIED TOLERANCE: .XX ±0.13[0.005]



KSFP-A-PSLB-0202-XXX

TYPE  
A: CAGE

P: SFP+

SL: SOLDER LEAD

B: EMI GASKET TAB

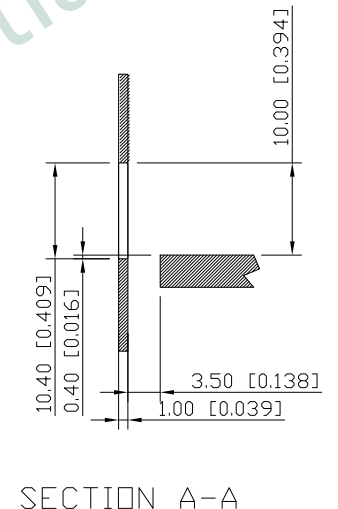
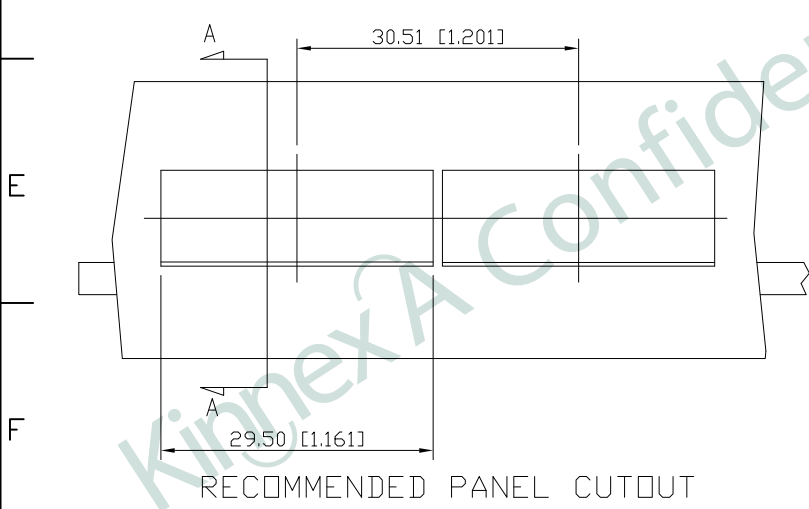
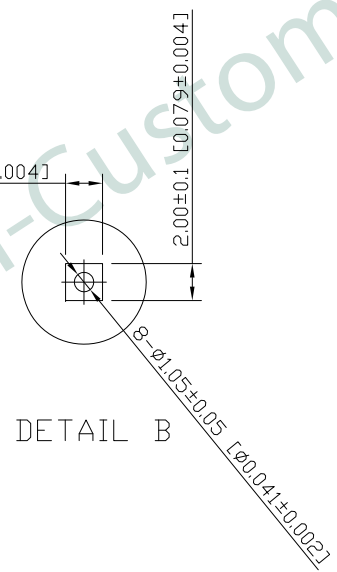
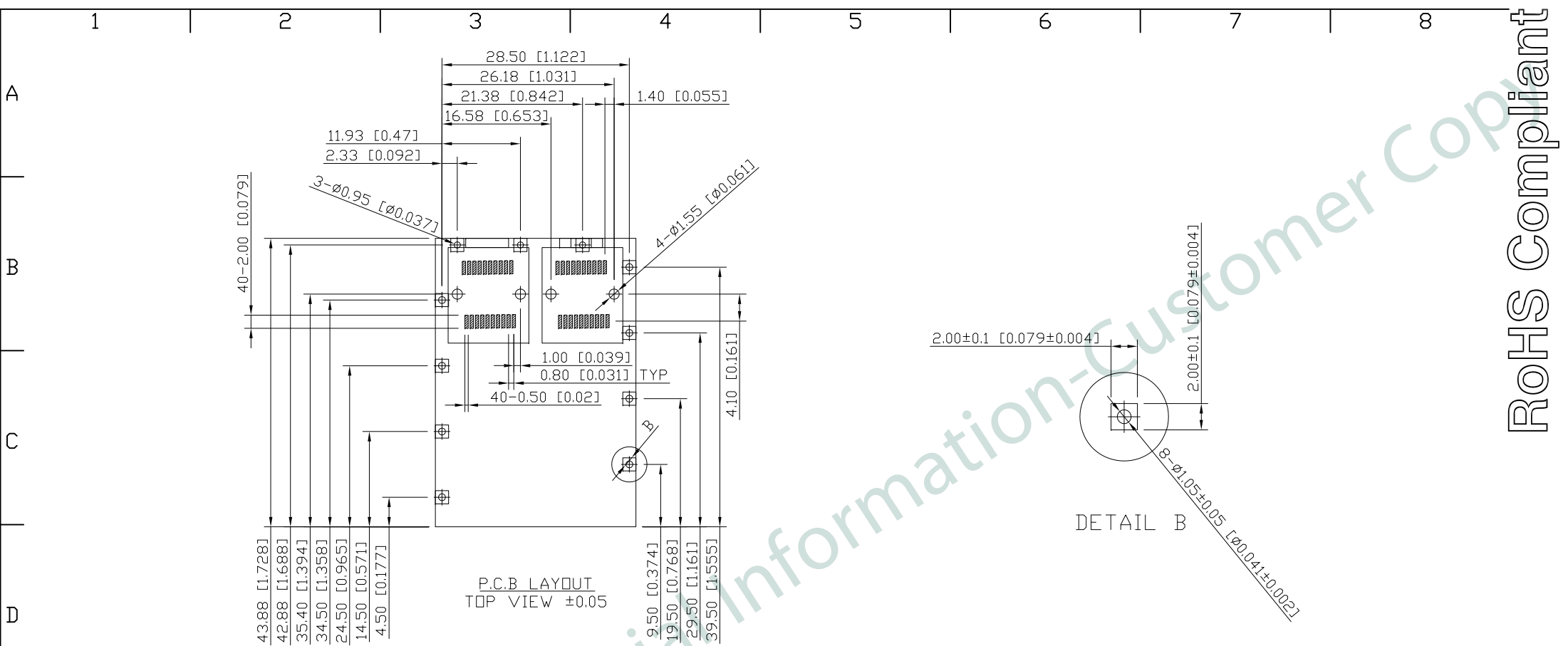
CUSTOMER CODE

SERIAL NUMBER

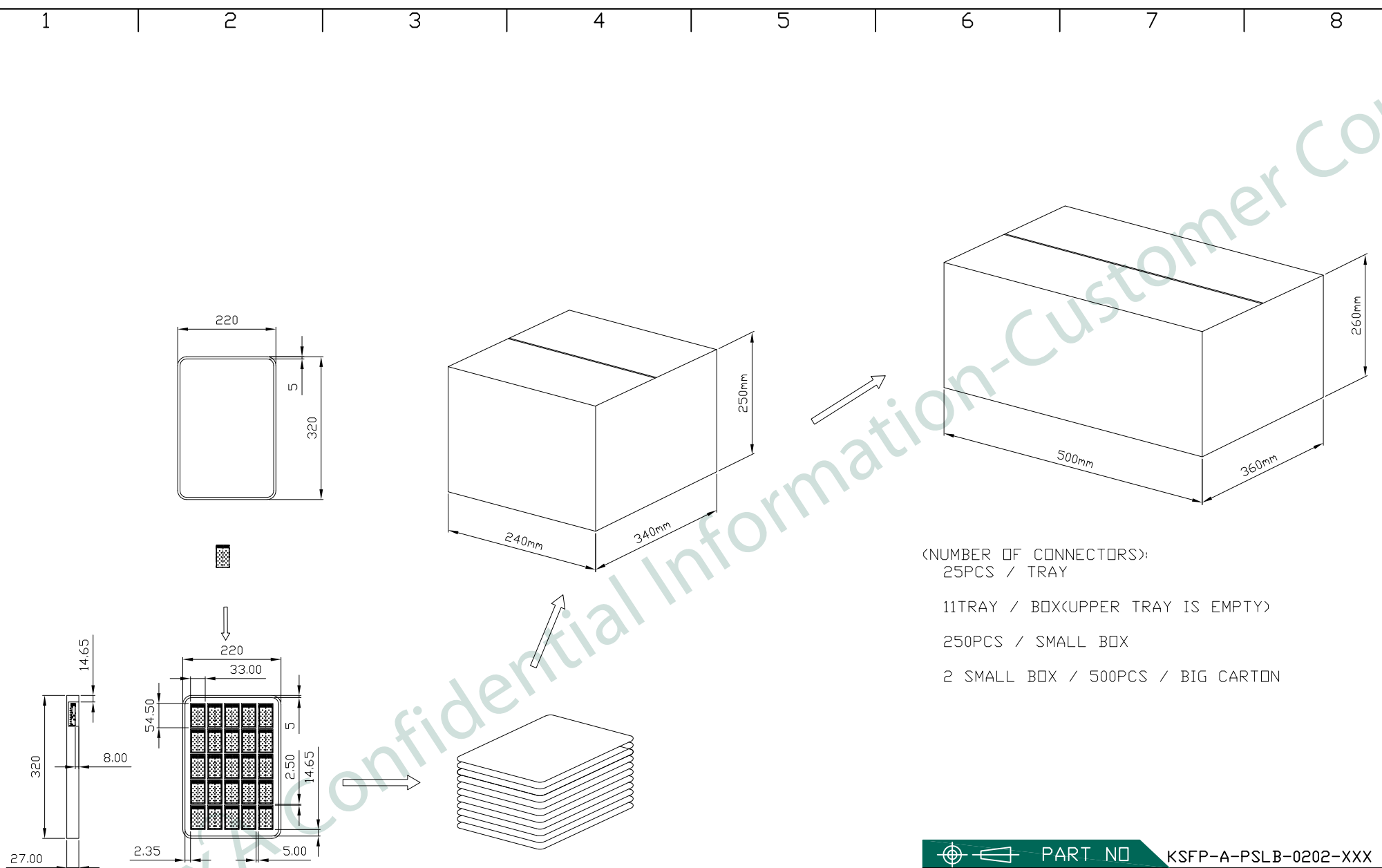
0: W/D LIGHTPIPE

NUMBER OF PORT

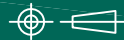
PART NO		KSFP-A-PSLB-0202-XXX		
TITLE	SFP+CAGE, 1X2 PORT WITH EMI GASKET, SOLDER PINS, W/D LIGHTPIPE TABS			
REV : 01				
UNIT	DRAWN	CHKD	DATE	SHEET
mm[inch]	CINDY	VINCENT	Sep. 21, '20	1 of 3



PART NO		KSFP-A-PSLB-0202-XXX		
TITLE	SFP+CAGE, 1X2 PORT WITH EMI GASKET, SOLDER PINS, W/O LIGHTPIPE TABS			
REV : 01				
UNIT	DRAWN	CHKD	DATE	SHEET
mm[inch]	CINDY	VINCENT	Sep. 21, '20	2 of 3



(NUMBER OF CONNECTORS):  
 25PCS / TRAY  
 11TRAY / BOX(UPPER TRAY IS EMPTY)  
 250PCS / SMALL BOX  
 2 SMALL BOX / 500PCS / BIG CARTON

 PART NO		KSFP-A-PSLB-0202-XXX		
TITLE	SFP+CAGE, 1X2 PORT WITH EMI GASKET, SOLDER PINS, W/O LIGHTPIPE TABS			
REV : 01				
UNIT	DRAWN	CHKD	DATE	SHEET
mm[inch]	CINDY	VINCENT	Sep. 21, '20	3 of 3