

Revision History

Rev.	Date	Modified by	Remark
v100	2014.11.06	Rex.Cao	First version
v110	2014.12.30	Rex.Cao	Add 2 signals to CN9

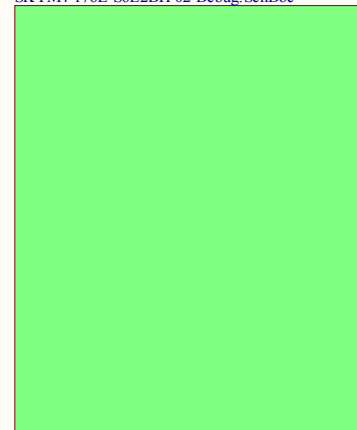
Jumper Description

Jumper	Function	Setting
J1	MD0 configurartion of MB9AF312K	Open : User mode Close : Flash programming mode
J2	MD0 configurartion of S6E2DH	Open : User mode Close : Flash programming mode
J3	Multifunction	1-2 : USB VBUS detection/Flash programmng via USB 2-3 : Flash programming via UART0
J4	Multifunction	1-2 : Power from CN2 3-4 : Power from CN3 5-6 : Power from CN4

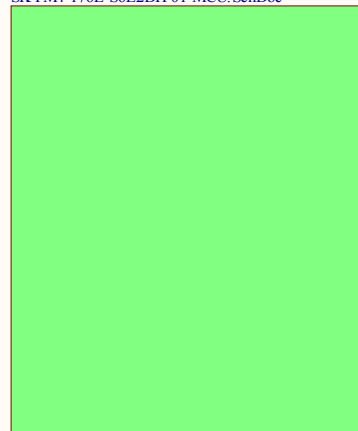
Device Address(I2C)

Dev.	I2C channel	Address
Audio Codec	MFS6	0x1A
Acceleration Sensor	MFS1	0x0F
Magnetometer Sensor	MFS1	0x0E
Touch Panel of LCD	MFS5	TBD

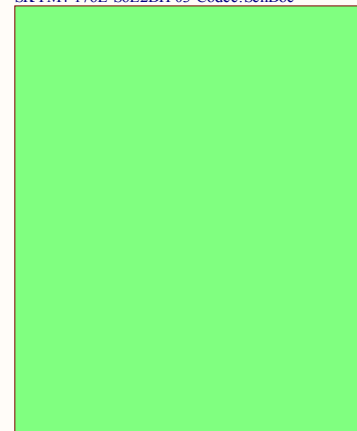
Debug & USBDevice
SK-FM4-176L-S6E2DH-02-Debug.SchDoc



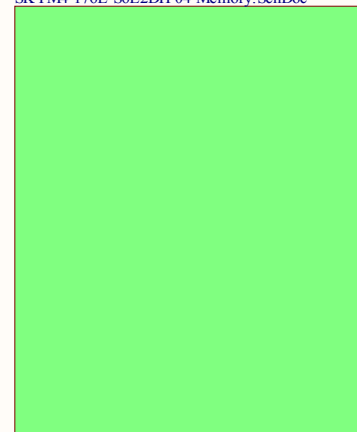
MCU and power supply
SK-FM4-176L-S6E2DH-01-MCU.SchDoc

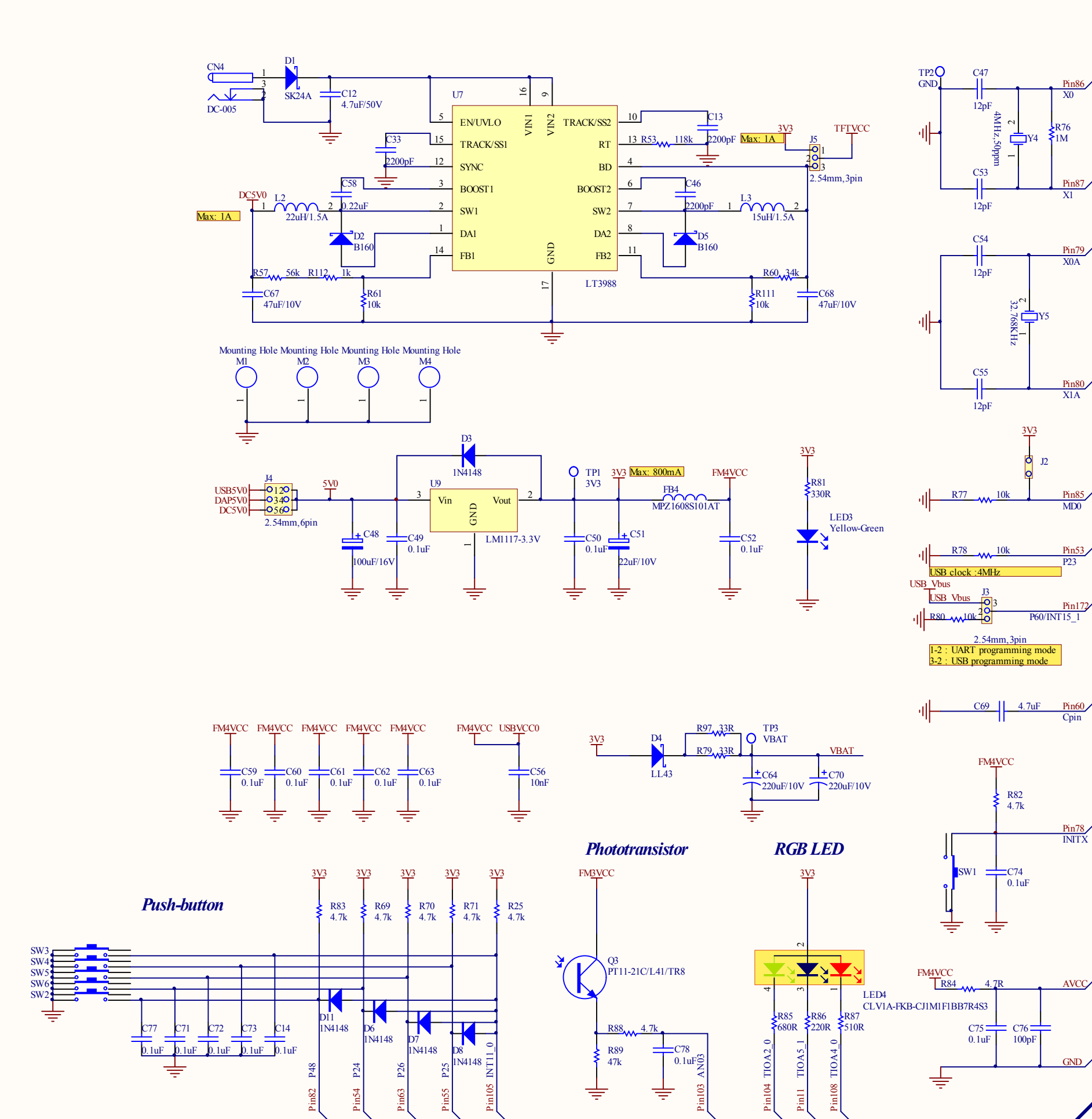


Codec
SK-FM4-176L-S6E2DH-03-Codec.SchDoc



Memory & Sensor & SD Card & LCD I/F
SK-FM4-176L-S6E2DH-04-Memory.SchDoc

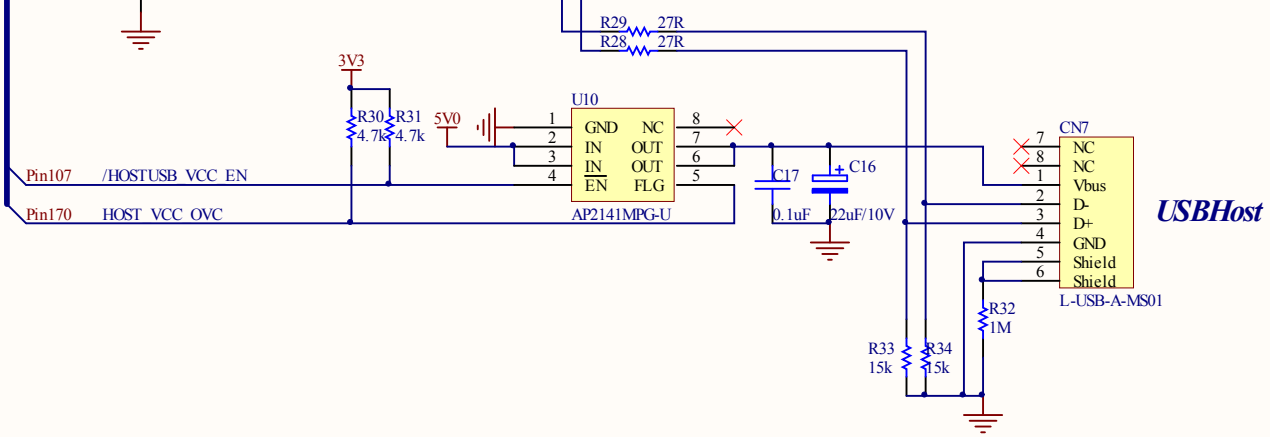
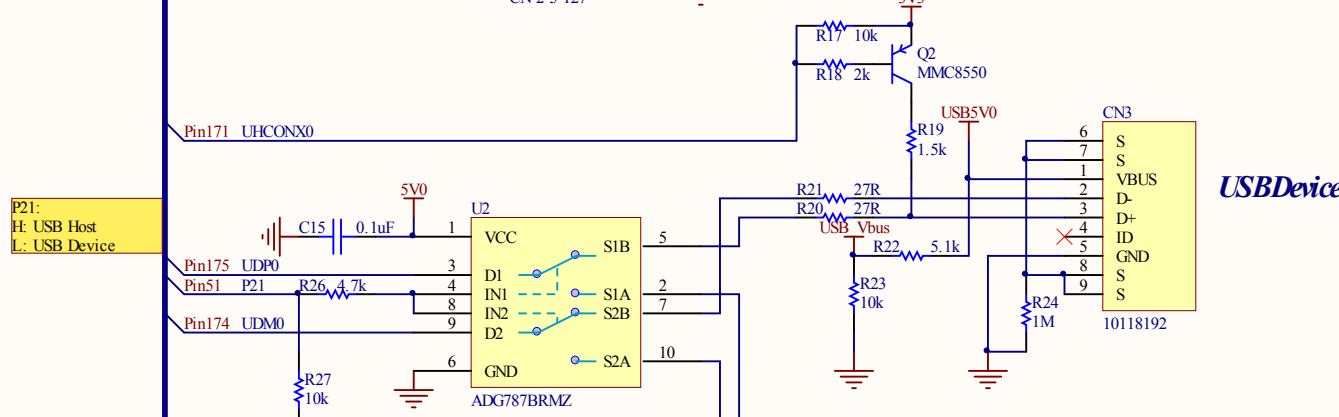
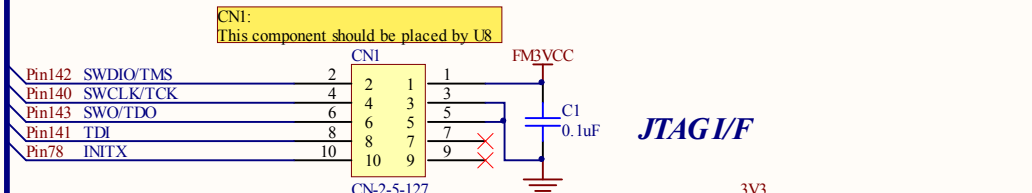
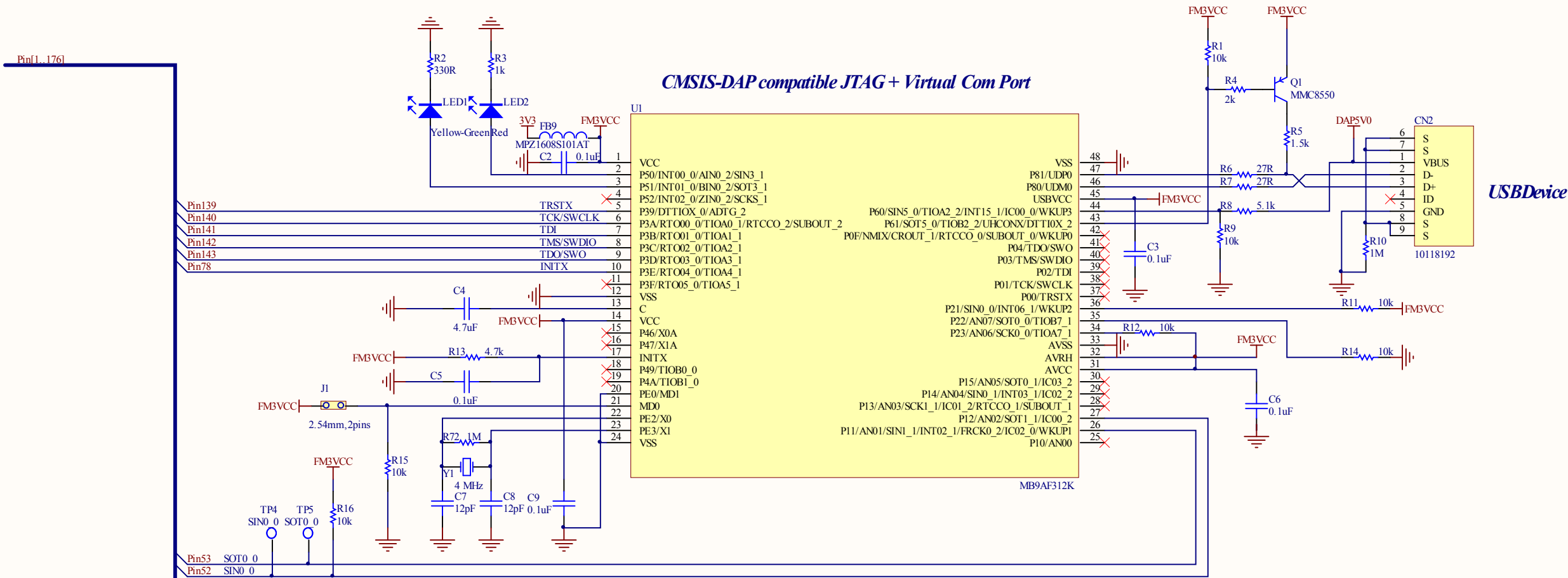


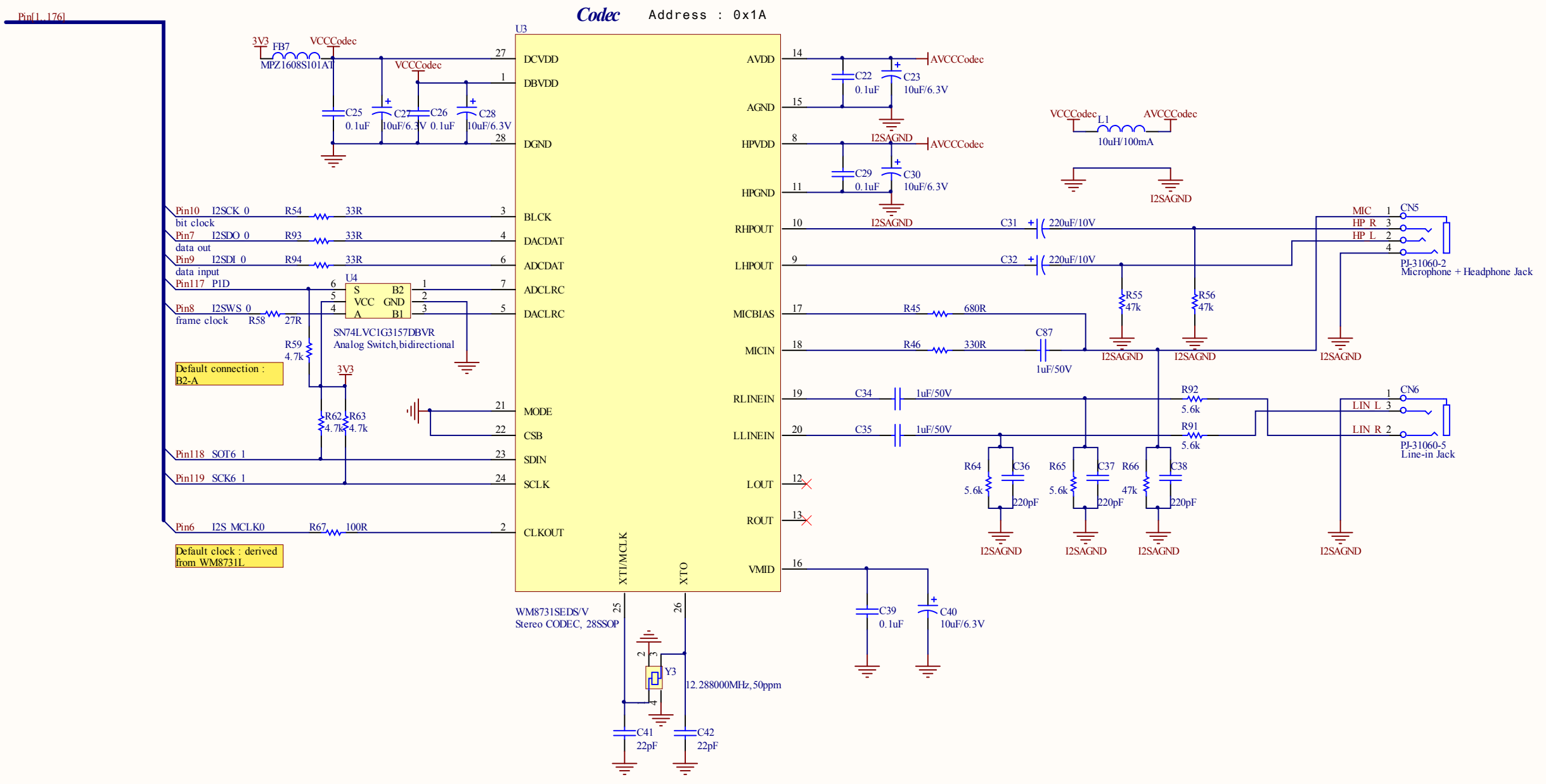


Pin 1, 176

Pin1	FM4VCC	1	VCC	176	GND	Pin176
Pin2	VCC	2	VSS	175	GND	Pin175
Pin3	PA0/GE_SDCKE	3	P81/UDR0	174	GND	Pin174
Pin4	PA1/GE_SDCCLK	4	P80/UDR0	173	USBVCC0	Pin173
Pin5	PA2/GE_SDCQ0	5	VCC	172	GND	Pin172
Pin6	PA3/GE_SDCQ0	6	P60/SIN4_0/INT15_1/WKUP3/MALE_0	171	GND	Pin171
Pin7	PB3/TIOA0_1/TIOA1_1/AIN0_1/2SMCLK0/RT000_0/MAD10_0	7	P61/UHCON0/SOT4_0/TX2_0/RTCCO_0/SUBOUT_0/MQ0_0	170	GND	Pin170
Pin8	P3C/SC70_0/TIOA1_1/INT05_1/BIN0_1/2SD00/RT001_0/MAD09_0	8	P62/SCK4_0/RX2_0/INT14_1/MQ0_0	169	GND	Pin169
Pin9	P3D/SIN7_0/TIOA2_1/INT06_1/ZIN0_1/2SW0/RT002_0/MAD08_0	9	PDD/GE_SDCSX	168	GND	Pin168
Pin10	P3E/SOT7_0/TIOA3_1/INT07_1/2SD0/RT003_0/MAD07_0	10	PCD/GE_SDCASX	167	GND	Pin167
Pin11	P3F/SCK7_0/TIOA4_1/2SCK0/RT004_0/MAD06_0	11	PDB/GE_SDRASX	166	GND	Pin166
Pin12	P7C/TIOA5_1/RT005_0/WVEX_0	12	PDA/GE_SDWEX	165	GND	Pin165
Pin13	P7B/ADTG_2/MOEX_0/GE_HBCSX_1	13	P63/ADTG_3/RTS4_0/PNL_PD0	164	GND	Pin164
Pin14	PA8/GE_SDDQ28	14	P64/CTS4_0/PNL_PDI	163	GND	Pin163
Pin15	PA9/GE_SDDQ28	15	P65/PNL_PD2	162	GND	Pin162
Pin16	PA6/GE_SDDQ27	16	P66/SIN3_1/INT13_1/PNL_PD3	161	GND	Pin161
Pin17	PAB/GE_SDDQ26	17	P67/SOT3_1/PNL_PD4/MSDCKE_0	160	GND	Pin160
Pin18	PAC/GE_SDDQ25	18	P68/SCK3_1/PNL_PD5/MSDCCLK_0	159	GND	Pin159
Pin19	PAD/GE_SDDQ24	19	VSS	158	GND	Pin158
Pin20	P33/SIN6_0/INT00_1/S_DATA1	20	POE/WKUP2/PNL_PD6/MCSX8_0	157	GND	Pin157
Pin21	P34/SOT6_0/FRCK0_0/S_DATA0	21	POD/PNL_PD7/MSDWEX_0	156	GND	Pin156
Pin22	P35/SCK6_0/IC03_0/S_CLK	22	POC/SCK5_1/PNL_PD8/MAD1_0	155	GND	Pin155
Pin23	VCC	23	POB/SOT5_1/INT07_1/PNL_PD9/MAD12_0	154	GND	Pin154
Pin24	GND	24	POA/SIN5_1/TIOA7_1/INT12_1/PNL_PD10/MAD13_0	153	GND	Pin153
Pin25	VSS	25	P09/SCK2_1/PNL_PD11/MAD14_0	152	GND	Pin152
Pin26	P37/RX2_1/INT02_1/GE_HBRESEX/IC01_0/S_DATA3	26	P08/SOT2_1/PNL_PD12/MAD15_0	151	GND	Pin151
Pin27	P38/TX2_1/INT03_1/GE_HBINTX/IC00_0/S_DATA2	27	P07/SIN2_1/INT11_1/PNL_PD13/MAD16_0	150	GND	Pin150
Pin28	P39/ADTG_0/GE_HBRSTOX/DTITX_0/S_WP	28	P06/TX2_2/PNL_PD14/MAD17_0	149	GND	Pin149
Pin29	P3A/GE_HBWPXS_CD	29	P05/RX2_2/INT10_1/PNL_PD15/MAD18_0	148	GND	Pin148
Pin30	PA4/GE_SDDQ23	30	P09/GE_SDDQ0	147	GND	Pin147
Pin31	PAS/GE_SDDQ22	31	P08/GE_SDDQ0	146	GND	Pin146
Pin32	PA6/GE_SDDQ21	32	P07/GE_SDDQ0	145	GND	Pin145
Pin33	PA7/GE_SDDQ20	33	P06/GE_SDDQ0	144	GND	Pin144
Pin34	P7A/GE_HBRWDS	34	P05/GE_SDA0	143	GND	Pin143
Pin35	P70/GE_SPCX/GE_HBCK	35	P04/TD0/SW0	142	GND	Pin142
Pin36	P71/GE_SPDQ0/GE_HBCSX_0	36	P03/TMS/SW10	141	GND	Pin141
Pin37	P72/INT00_0/GE_SPDQ3/GE_HBDQ0	37	P02/TD0/MAD24_0	140	GND	Pin140
Pin38	P73/INT01_0/GE_SPCX_0/GE_HBDQ1	38	P01/TCK/SWCLK	139	GND	Pin139
Pin39	P74/INT02_0/GE_SPDQ1/GE_HBDQ2	39	PO0/TRSTX	138	GND	Pin138
Pin40	P75/INT03_0/GE_SPDQ2/GE_HBDQ3	40	PD4/GE_SDA1	137	GND	Pin137
Pin41	P76/INT04_0/GE_HBDQ4	41	PD3/GE_SDA2	136	GND	Pin136
Pin42	P77/INT05_0/GE_HBDQ5	42	PD2/GE_SDA3	135	GND	Pin135
Pin43	P78/INT06_0/GE_HBDQ6	43	PD1/GE_SDA4	134	GND	Pin134
Pin44	FM4VCC	44	PD0/GE_SDA5	133	FM4VCC	Pin133
Pin45	GND	45	VCC	132	GND	Pin132
Pin46	VSS	46	VSS	131	GND	Pin131
Pin47	P20/NMIX/WKUP0	47	P97/AN23/PNL_PD16/MCASX_0	130	GND	Pin130
Pin48	PB0/GE_SDDQ19	48	P96/AN22/PNL_TSIG5/PNL_PD17/MRASSX_0	129	GND	Pin129
Pin49	PB1/GE_SDDQ18	49	PCD/GE_SDA6	128	GND	Pin128
Pin50	PB2/GE_SDDQ17	50	PCC/GE_SDA7	127	GND	Pin127
Pin51	PB3/GE_SDDQ16	51	PCB/GE_SDA8	126	GND	Pin126
Pin52	P21/2SMCLK1/MAD05_0	52	PCA/GE_SDA9	125	GND	Pin125
Pin53	P22/SIN0_0/INT08_0/2SD0/CR0UT_0/MAD04_0	53	P95/AN21/SCK1_1/PNL_TSIG6/PNL_PD18/MAD19_0	124	GND	Pin124
Pin54	P23/SOT5_0/TIOA6_1/2SW1/MAD03_0	54	P94/AN20/SOT1_1/TRACEB3/PNL_TSIG7/PNL_PD19/MAD20_0	123	GND	Pin123
Pin55	P24/SCK0_0/TIOA6_1/2SD01/MAD02_0	55	P93/AN19/SIN1_1/TRACE22/INT09_1/PNL_TSIG8/PNL_PD20/MREX_0/MAD21_0	122	GND	Pin122
Pin56	P25/2SCK1/MAD01_0	56	P92/AN18/SCK0_1/TRACE0/PNL_TSIG0/PNL_PD21/MNVEX_0/MAD22_0	121	GND	Pin121
Pin57	PB4/GE_SDDQ15	57	P91/AN17/SOT1_1/TRACE0/PNL_TSIG0/PNL_PD22/MNCLK_0/MAD23_0	120	GND	Pin120
Pin58	PB5/GE_SDDQ14	58	P90/AN16/SIN0_1/TRACECLK/INT08_1/PNL_TSIG1/PNL_PD23/MNALE_0/MCLKOUT_0	119	GND	Pin119
Pin59	PB6/GE_SDDQ13	59	P1F/AN15/SCK6_1/TIOB7_0/MADATA15_0	118	GND	Pin118
Pin60	PB7/GE_SDDQ12	60	P1E/AN14/SOT6_1/TIOA7_0/RT005_1/MADATA14_0	117	GND	Pin117
Pin61	GND	61	P1D/AN13/SIN6_1/TIOB6_0/INT15_0/RT004_1/MADATA13_0	116	GND	Pin116
Pin62	FM4VCC	62	P1C/AN12/SCK0_1/TIOA6_0/INT14_0/RT003_1/MADATA12_0	115	GND	Pin115
Pin63	VCC	63	PC9/GE_SDA10	114	GND	Pin114
Pin64	P26/RTCCO_1/SUBOUT_1/MAD00_0	64	PC8/GE_SDA11	113	GND	Pin113
Pin65	P27/ADTG_1/CR0UT_1/MRDY_0	65	PC7/GE_SDA0	112	GND	Pin112
Pin66	P50/WKUP1/MCSX0_0	66	PC6/GE_SDA1	111	GND	Pin111
Pin67	P51/TIOB0_1/PNL_TSIG4/PNL_PWE	67	P1B/AN11/SCK5_0/TIOB5_0/ZIN0_2/RT002_1/MADATA11_0	110	GND	Pin110
Pin68	P52/TIOB1_1/PNL_DCLK	68	P1A/AN10/SOT5_0/TIOA5_0/BIN0_2/RT001_1/MADATA10_0	109	GND	Pin109
Pin69	P53/TIOB2_1/PNL_TSIG2/PNL_DEN	69	P19/AN09/SIN5_0/TIOB4_0/INT13_0/AIN0_2/RT000_1/MADATA09_0	108	GND	Pin108
Pin70	P54/TIOB3_1/PNL_TSIG0/PNL_LE	70	P18/AN08/SCK3_0/TIOA4_0/IC03_1/MADATA08_0	107	GND	Pin107
Pin71	P55/TIOB4_1/PNL_TSIG0/PNL_LH_SYNC	71	P17/AN07/SOT3_0/TIOB3_0/IC02_1/MADATA07_0	106	GND	Pin106
Pin72	P56/TIOB5_1/PNL_TSIG1/PNL_FV_SYNC	72	P16/AN06/SIN3_0/TIOA3_0/INT12_0/IC01_1/MADATA06_0	105	GND	Pin105
Pin73	PB8/GE_SDDQ11	73	P15/AN05/SCK2_0/TIOB2_0/INT11_0/IC00_1/MADATA05_0	104	GND	Pin104
Pin74	PB9/GE_SDDQ10	74	P14/AN04/SOT2_0/TIOA2_0/DTITX_0/MADATA04_0	103	GND	Pin103
Pin75	PBA/GE_SDDQ9	75	P13/AN03/SIN2_0/TIOB1_0/INT10_0/FRCK0_1/MADATA03_0	102	GND	Pin102
Pin76	PBB/GE_SDDQ8	76	P12/AN02/SCK1_0/TIOA1_0/ZIN0_0/MADATA02_0	101	GND	Pin101
Pin77	PBC/GE_SDDQ7	77	P11/AN01/SOT1_0/TIOB0_0/BIN0_0/MADATA01_0	100	GND	Pin100
Pin78	PBD/GE_SDDQ6	78	P10/AN00/SIN1_0/TIOA0_0/INT09_0/AIN0_0/MADATA00_0	99	GND	Pin99
Pin79	INTX	79	PC5/GE_SDDQ0	98	GND	Pin98
Pin80	P46/X0A	80	PC4/GE_SDDQ1	97	GND	Pin97
Pin81	VBAT	81	PC3/GE_SDDQ2	96	GND	Pin96
Pin82	P48/VREGCTL	82	PC2/GE_SDDQ3	95	GND	Pin95
Pin83	P49/VWAKEUP	83	PC1/GE_SDDQ4	94	GND	Pin94
Pin84	PE0/MD1	84	PC0/GE_SDDQ5	93	AVCC	Pin93
Pin85	MD0	85	AVRH	92	GND	Pin92
Pin86	PE2/X0	86	AVRL	91	GND	Pin91
Pin87	PE3/X1	87	AVSS	90	AVCC	Pin90
Pin88	GND	88	AVCC	89	FM4VCC	Pin89

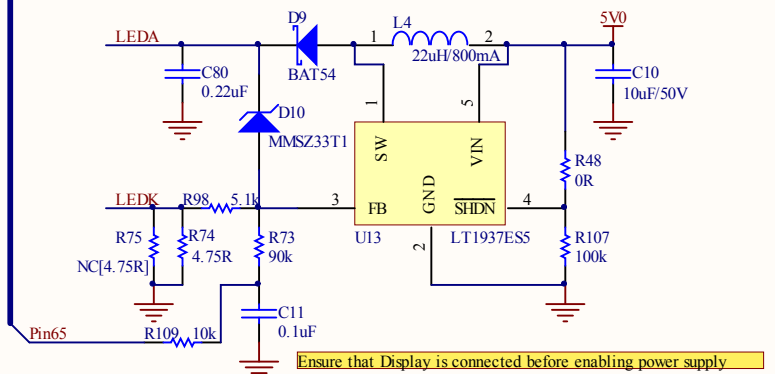
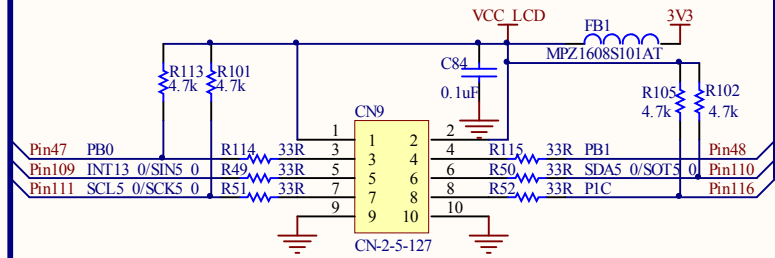
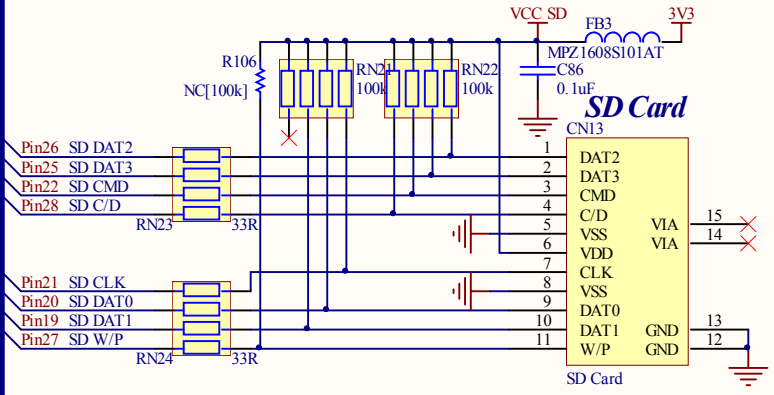
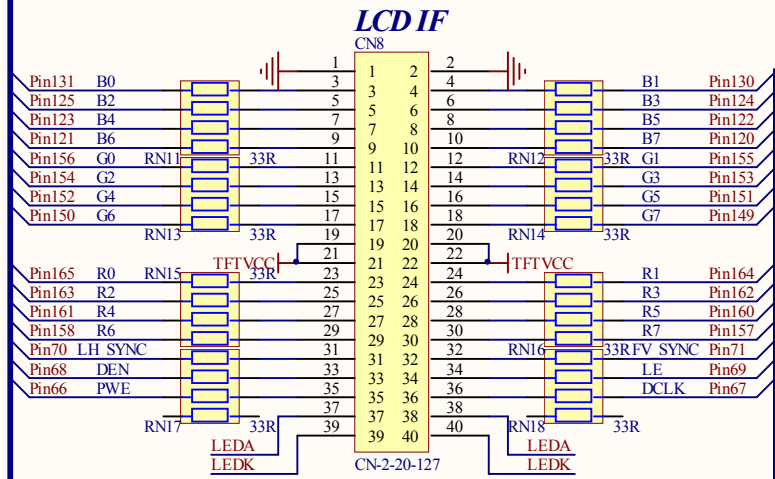
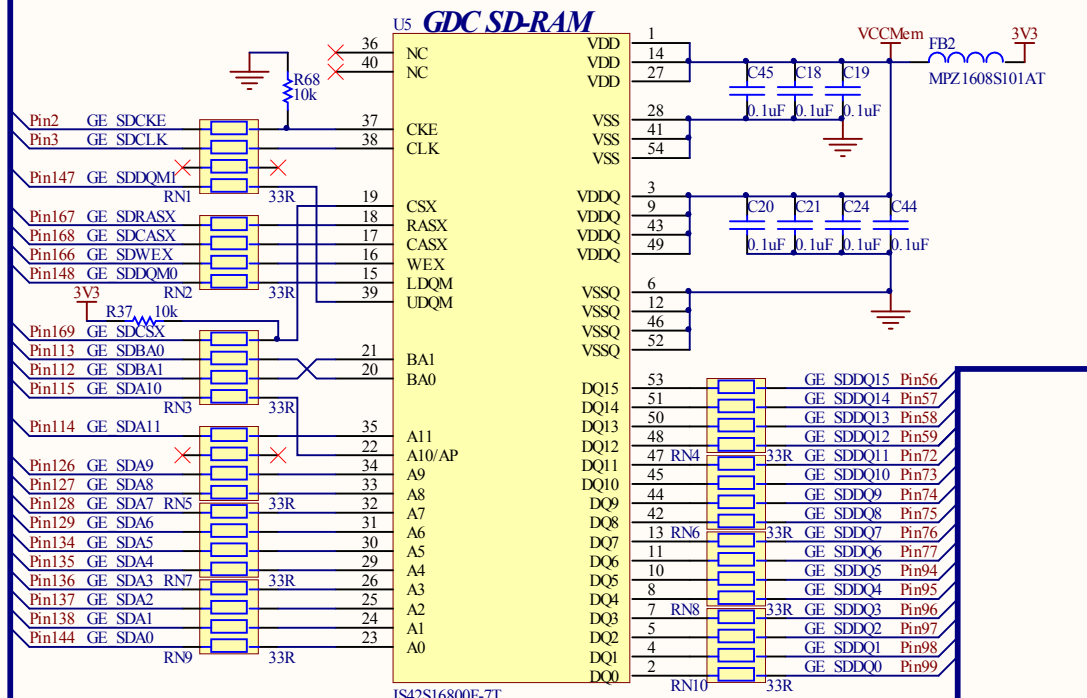
MCU



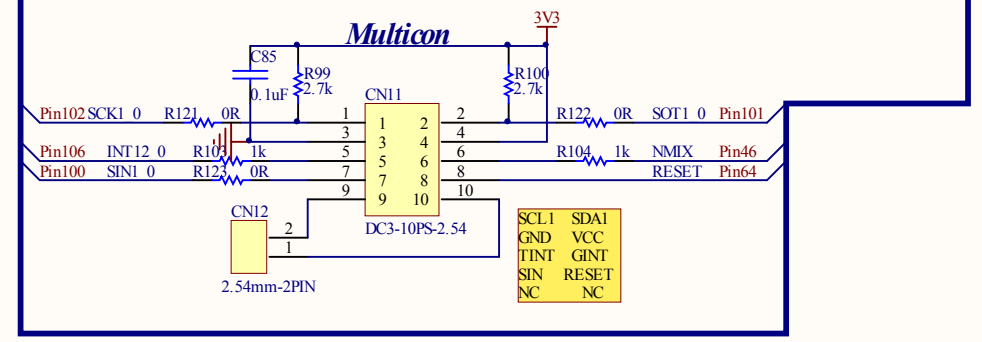
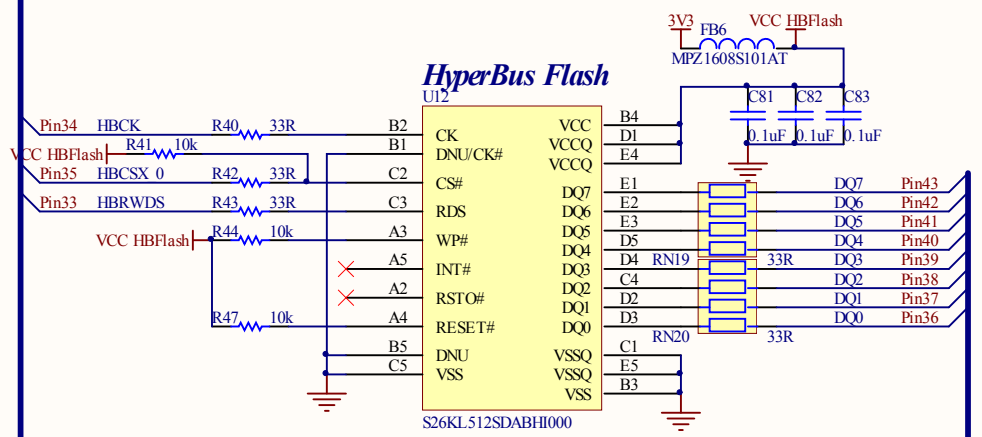
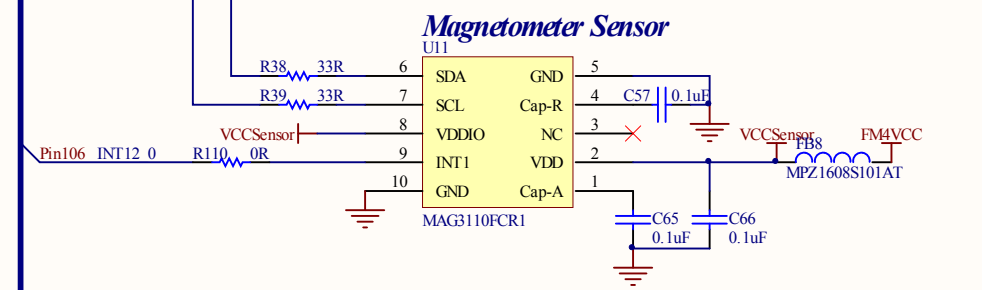
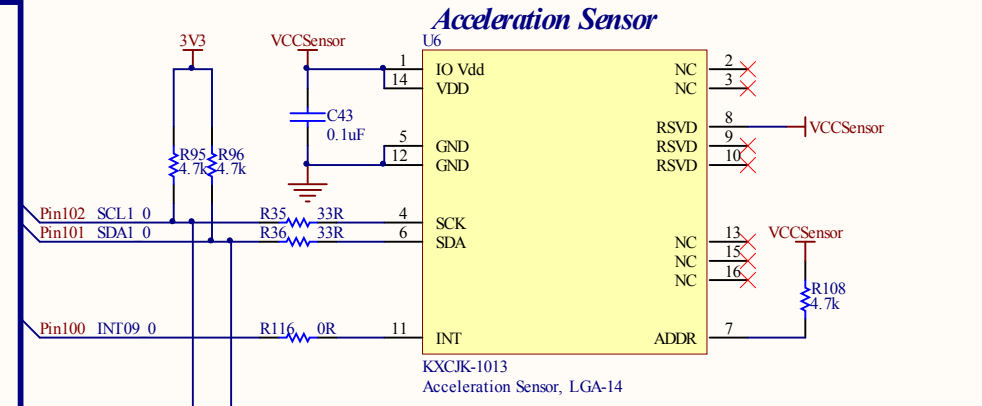


Spansion Inc.			
Drawn by : Rex.Cao			
Title SK-FM4-176L-S6E2DH			
Size A3	Document Number Codec	Rev v110	
Date: Tuesday, December 30, 2014		Sheet 4 of 5	

Pin1..176L



Ensure that Display is connected before enabling power supply.



Spanion Inc.			
Drawn by : Rex.Cao			
Title SK-FM4-176L-S6E2DH			
Size A3	Document Number	Rev v110	
Date: Tuesday, December 30, 2014		Sheet 5 of 5	