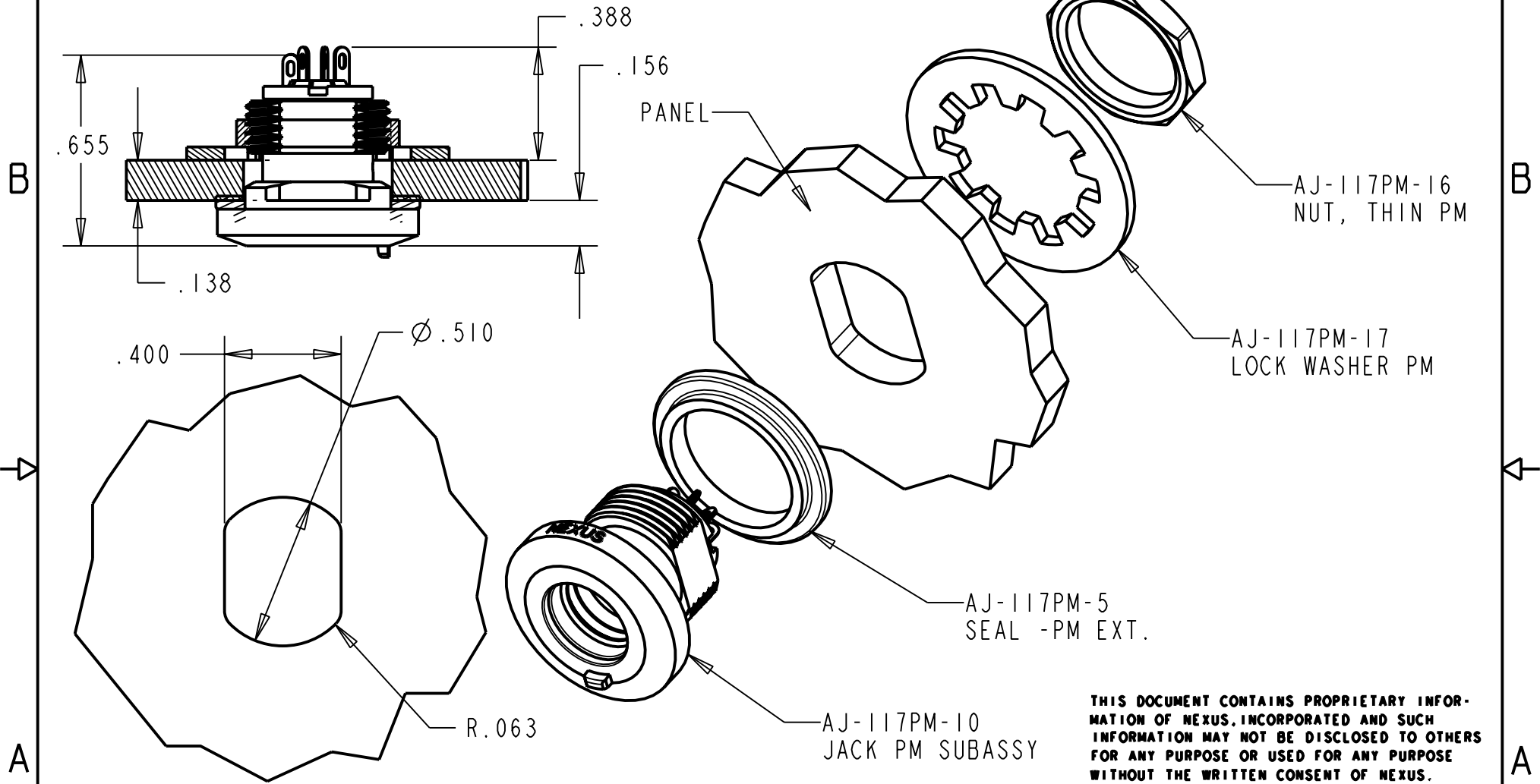


PROPRIETARY - NEXUS

ORDERING PART NUMBER: AJ-117PM

A AJ-117PM-CP



					DWN. BY LDE	DATE 14-Jul-05	MATERIAL			
					CHECKED BY	DATE	FINISH			
					APPR. BY	DATE	WEIGHT	SCALE = 2.00 : 1	NEXUS STAMFORD, CONN	
					UNLESS OTHERWISE SPECIFIED DIMENSIONS ARE IN INCHES TOLERANCES ON .XX .XXX ANGLES ±.003 ±.5°			TITLE		SIZE DWG. NO.
LET.	REVISION	CN #	DATE	CHK.				JACK, PANEL MOUNT ORDERING PART NUMBER: AJ-117PM	A	AJ-117PM-CP
								DO NOT SCALE DWG.	SHEET 1 OF 1	