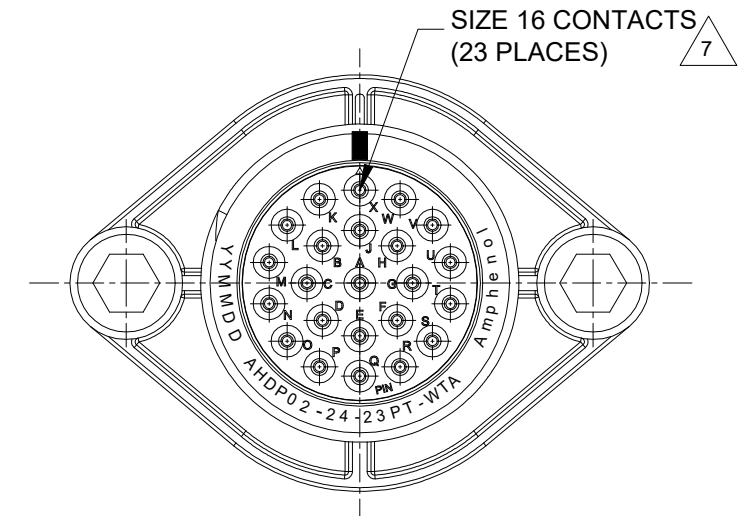
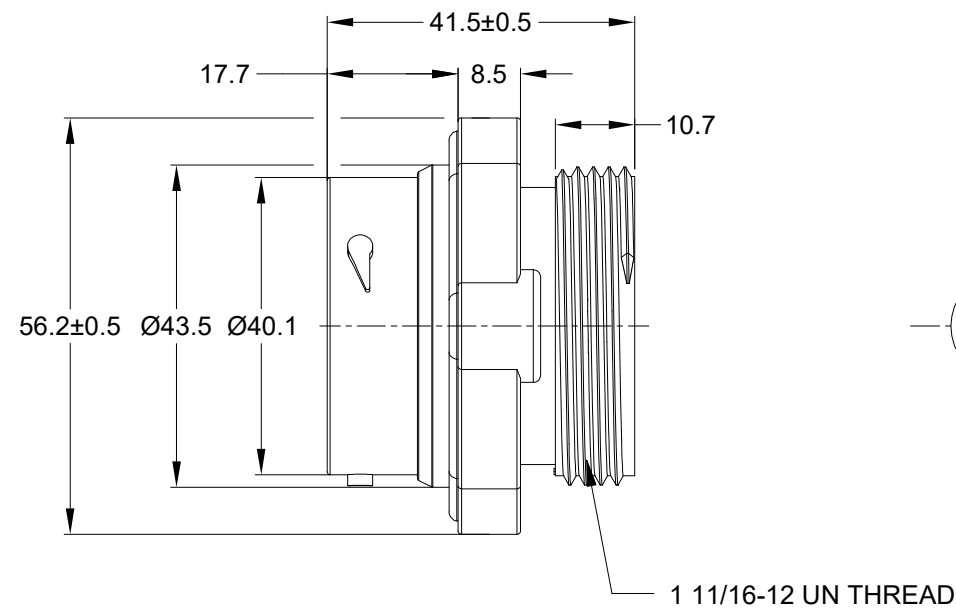
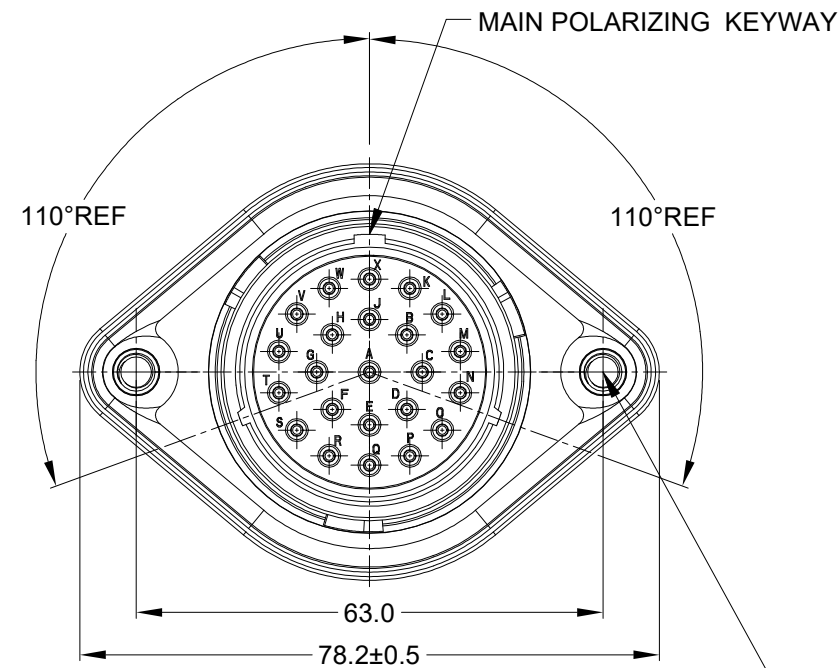


REVISIONS					
REV	ECO	DESCRIPTION	DATE	BY	APPR
A1	--	RELEASE NEW DRAWING	16/NOV/22	MILO	TOMMY

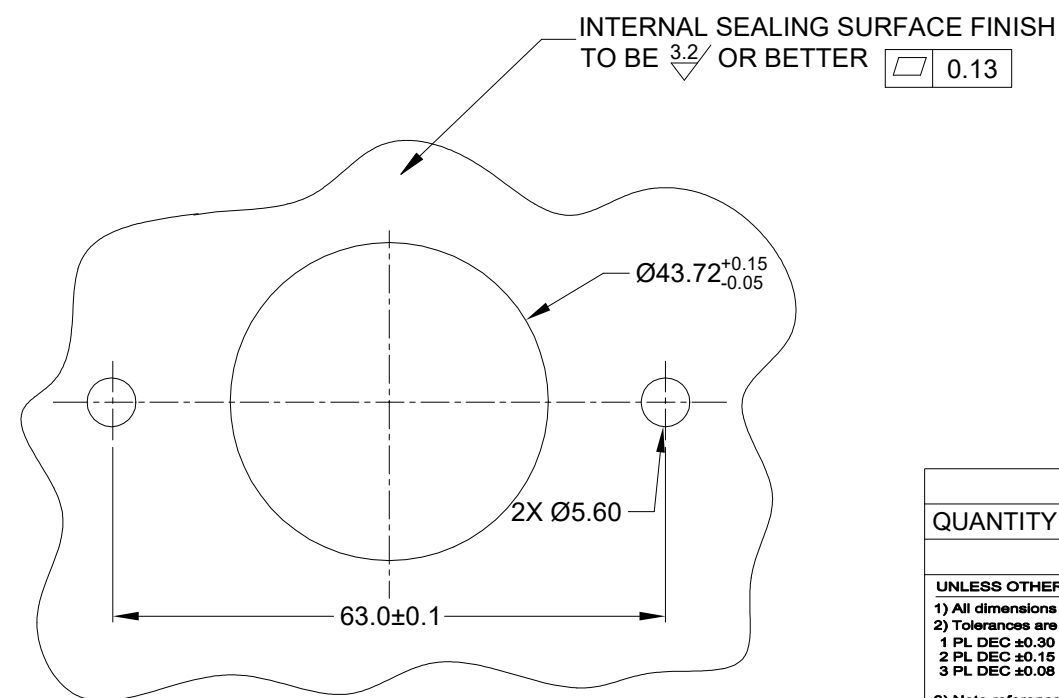


NOTES: UNLESS OTHERWISE SPECIFIED

- MATERIAL:  
HOUSING: THERMOPLASTIC; BLACK  
SEAL: SILICONE RUBBER  
THREADED INSERT: STAINLESS STEEL
- MODIFICATIONS: WIDE THREAD ADAPTER (WTA);  
THIN WALL DIA. WIRE SEAL  
SEALED PANEL MOUNT
- SPECIFICATIONS:  
3.1 OPERATING TEMPERATURE: -55°C TO +125°C.  
3.2 DIELECTRIC WITHSTANDING VOLTAGE: LESS THAN 2 MILLIAMPS CURRENT LEAKAGE @ 1500 VOLTS AC.  
3.3 INSULATION RESISTANCE: 1000 MEGOHM MIN @ 25°C.  
3.4 MOISTURE RESISTANCE:  
IP68(IM OF WATER FOR A PERIOD OF 24 HOURS, MATED CONDITION);  
IP69K(MATED CONDITION)  
3.5 MATING CYCLE DURABILITY: 100 CYCLES  
3.6 RoHS COMPLIANT
- MATING PART: AHDP06-24-23S\* (\* = SEAL TYPE)
- ALL DIMENSIONS ARE FOR REFERENCE USE ONLY.
- RECEPTACLE IS SUPPLIED WITH DUST CAP (NOT SHOWN)

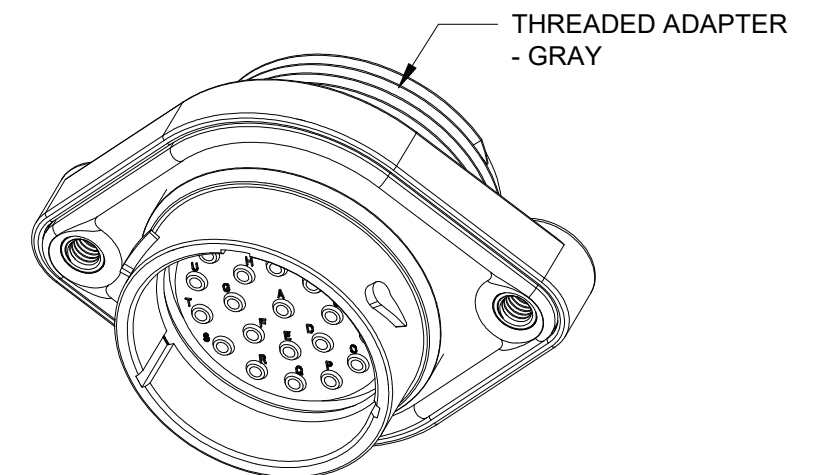
M5X0.8-6H 8mm(2X) DEEP  
THREADED INSERT

RECOMMENDED TORQUE  
VALUES: 1.9-2.2 N.m



RECOMMENDED PANEL  
MOUNTING HOLE

RECOMMENDED PANEL  
THICKNESS: 1.6 TO 4.7MM



7 CONTACT SIZE AND WIRE RANGE:

CONTACT SIZE	MIN.INSUL O.D	MAX.INSUL O.D	WIRE RANGE mm <sup>2</sup>
16	2.23mm (.088in)	2.69mm (.106in)	14-20AWG (2.0-0.5mm <sup>2</sup> )

QUANTITY	AHDP02-24-23PT-WTA	PART NUMBER	DESCRIPTION	ITEM												
<b>MATERIALS LIST</b>																
UNLESS OTHERWISE SPECIFIED		SIGNATURES		DATE												
1) All dimensions are in metric(mm).		DRAWN: MILO.DONG		16/NOV/22												
2) Tolerances are as follows:		CHECKED: SULLENZHANG		17/NOV/22												
1 PL DEC ±0.30		ENGINEER:														
2 PL DEC ±0.15		APPROVAL: TOMMY.XIE		18/NOV/22												
3 PL DEC ±0.08		CUSTOMER:														
3) Note reference =		THIS DRAWING IS SUPPLIED FOR INFORMATION ONLY. DESIGN FEATURES, SPECIFICATIONS AND PERFORMANCE DATA SHOWN HEREON ARE THE PROPERTY OF THE AMPHENOL CORPORATION. NO RIGHTS OF REPRODUCTION ARE IMPLIED. ALL DIMENSIONS ARE SUBJECT TO NORMAL MANUFACTURING VARIATIONS.														
MATERIAL SPECIFICATIONS:		WEIGHT: 59.5g														
PROCESS SPECIFICATIONS:		NEXT ASSY:														
		<table border="1"> <tr> <td>SIZE</td> <td>TYPE</td> <td>DWG NO:</td> <td>REVISION</td> </tr> <tr> <td>B</td> <td>C-</td> <td>AHDP02-24-23PT-WTA</td> <td>A1</td> </tr> <tr> <td>SCALE:</td> <td>NONE</td> <td>DURAMATE</td> <td>SHEET 1 OF 1</td> </tr> </table>			SIZE	TYPE	DWG NO:	REVISION	B	C-	AHDP02-24-23PT-WTA	A1	SCALE:	NONE	DURAMATE	SHEET 1 OF 1
SIZE	TYPE	DWG NO:	REVISION													
B	C-	AHDP02-24-23PT-WTA	A1													
SCALE:	NONE	DURAMATE	SHEET 1 OF 1													

TITLE: 23POS.RECEPTACLE,PIN,SZ24,THIN WIRE SEAL,WTA,PANELMATE AHDP

DWG NO: AHDP02-24-23PT-WTA

REV: A1

SH: 1

OF: 1