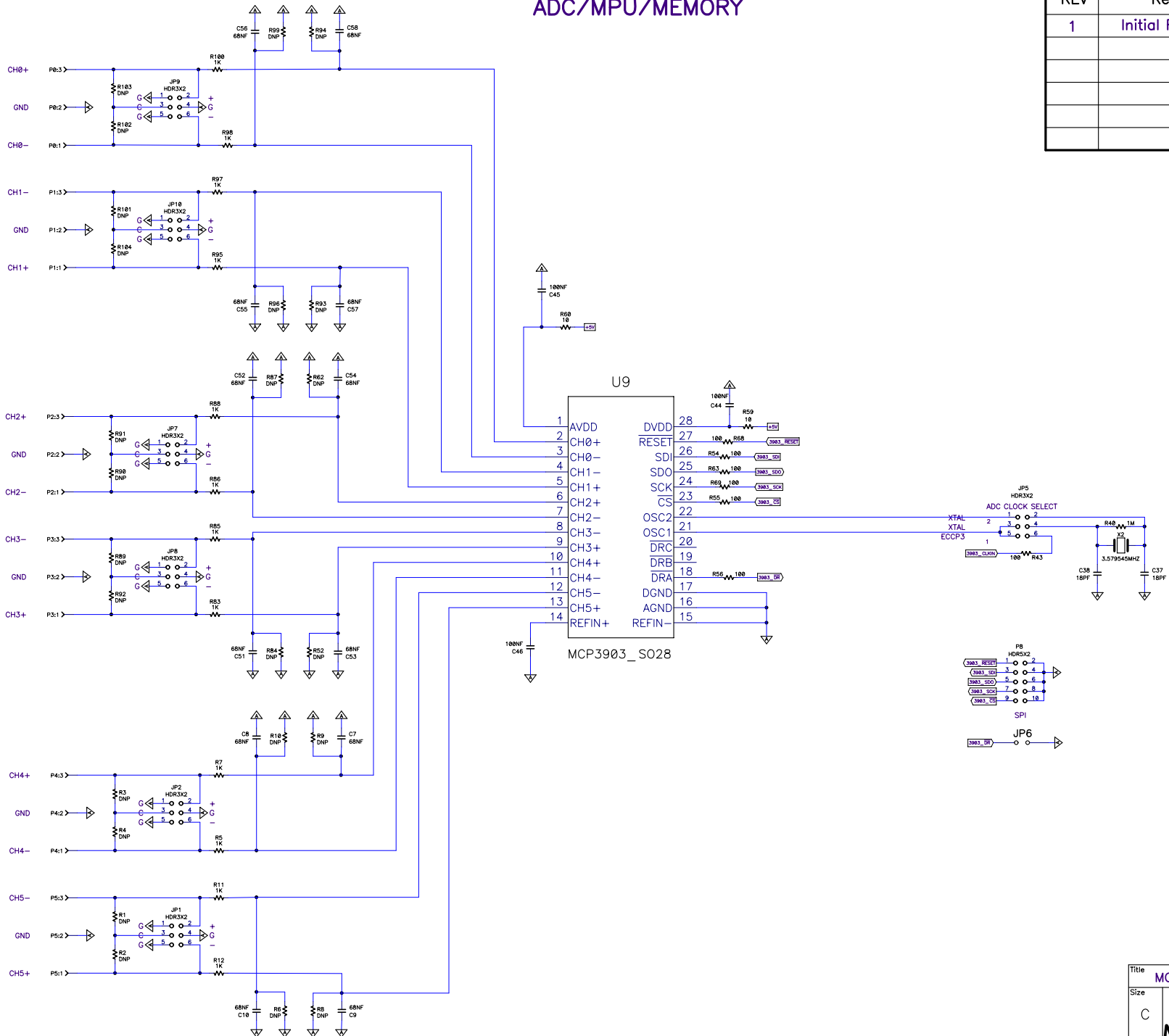


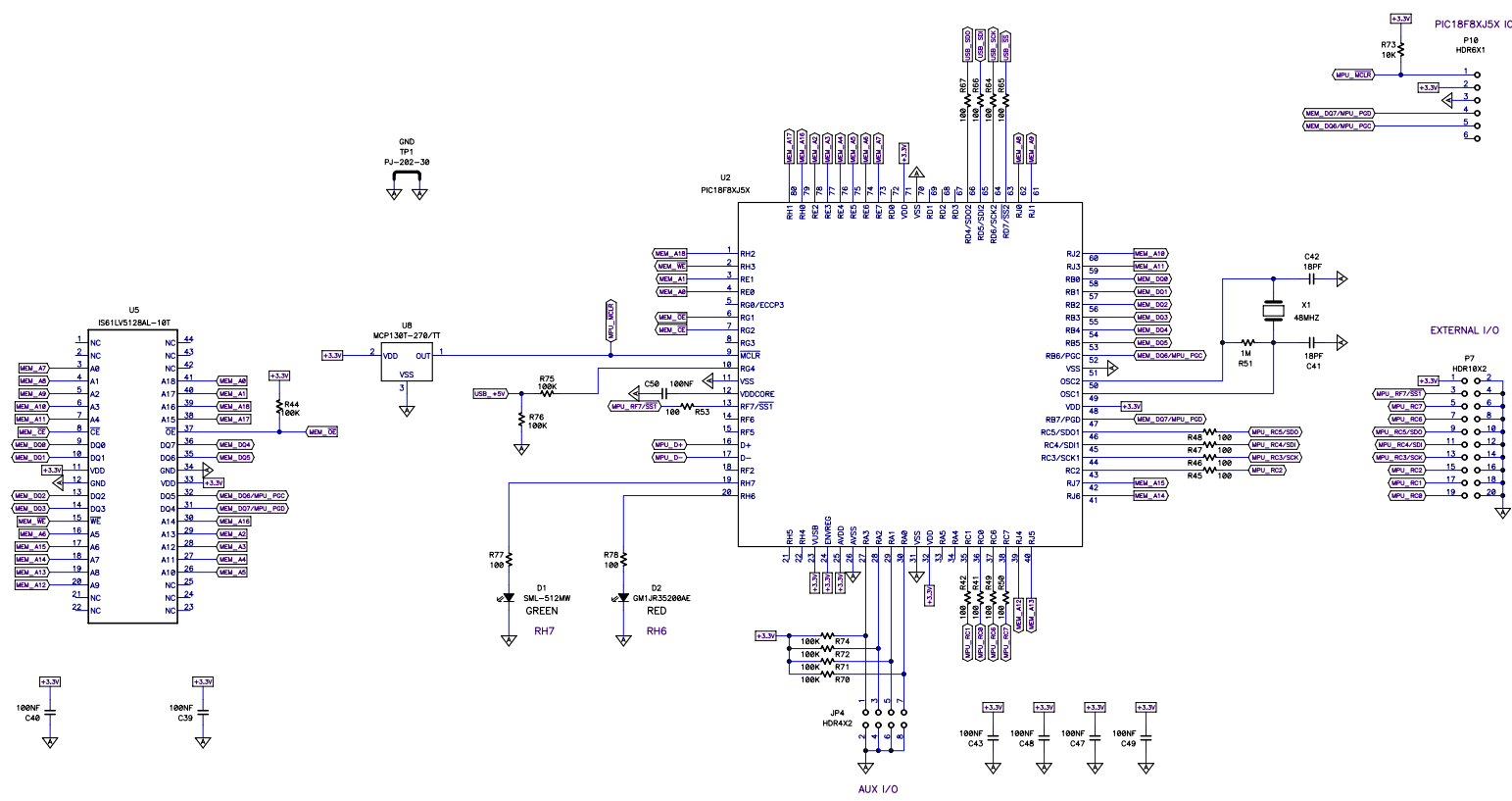
# ADC/MPU/MEMORY

REV	Revision Notes	Date
1	Initial Release Build	3/31/10



REV	Revision Notes	Date
1	Initial Schematic Design	3/31/10

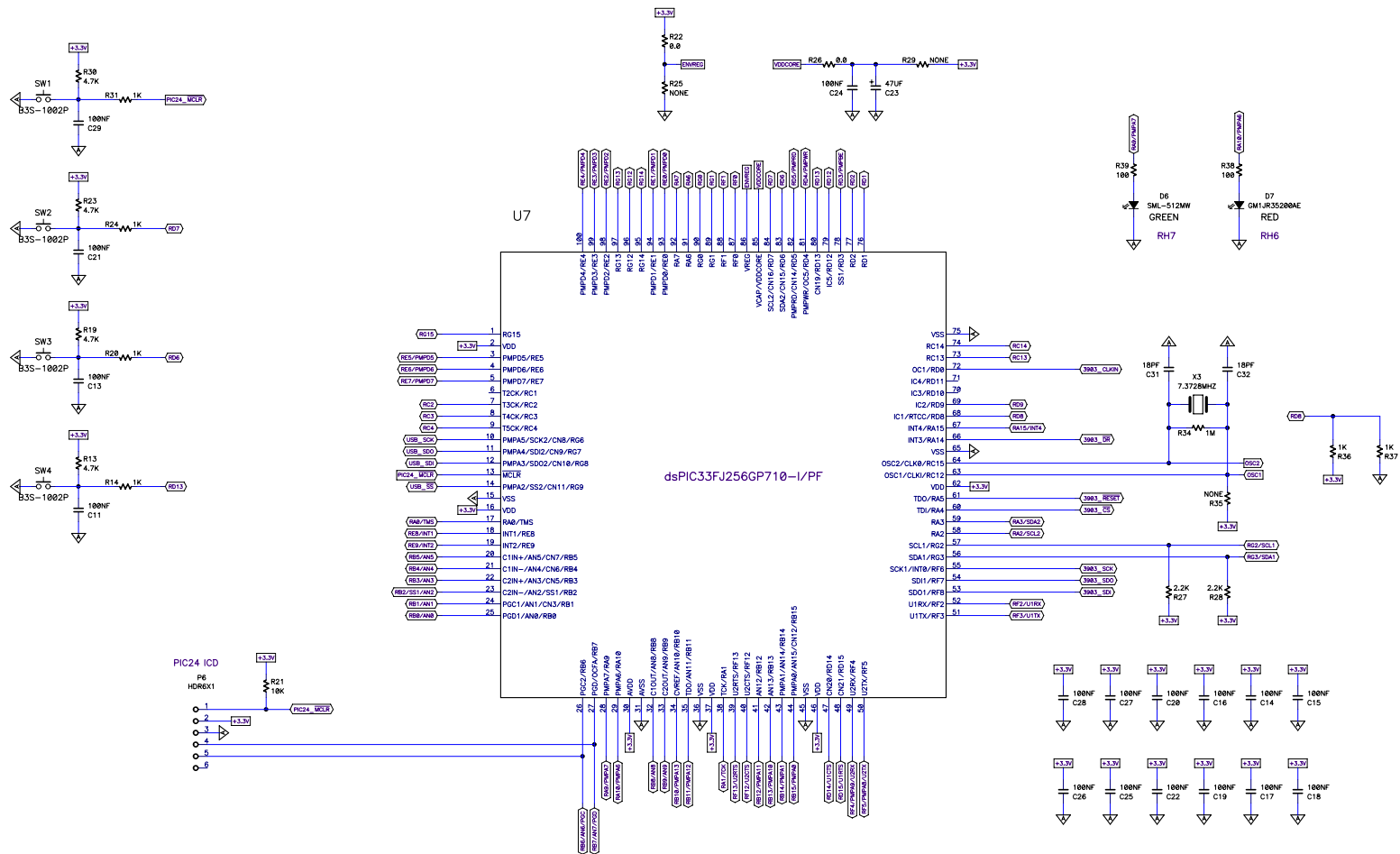
# MPU/MEMORY



Title MCP3903 Eval Board for 16-bit MCU		1
Size C	103-00310	
Date: 3/18/10		Eng: Craig King
Filename: 103-00310-R1.sch		Drawn by: J Garcia
		Sheet 2 of 6

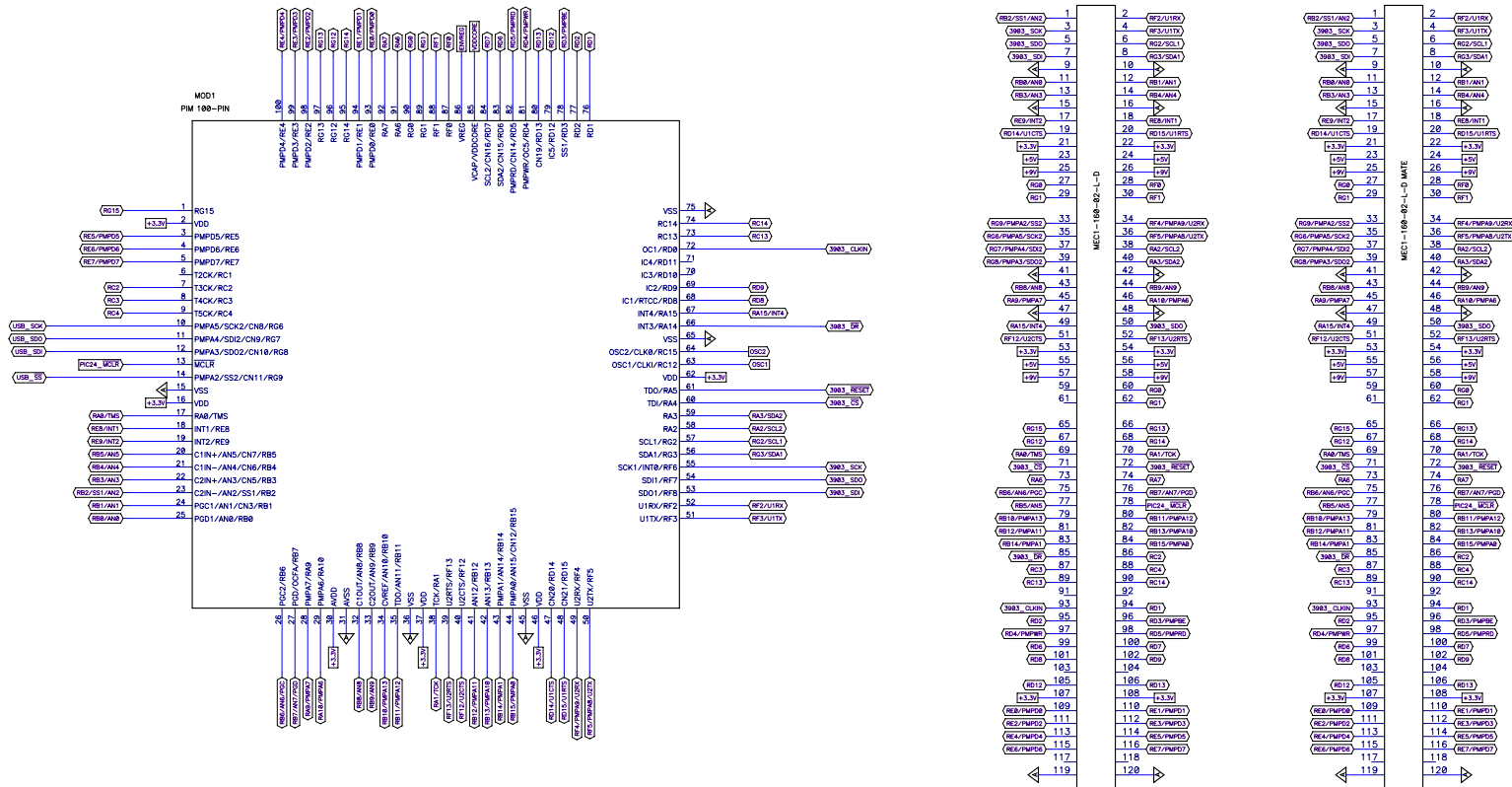
REV	Revision Notes	Date
1	Initial Schematic Design	3/31/10

dsPIC33



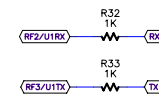
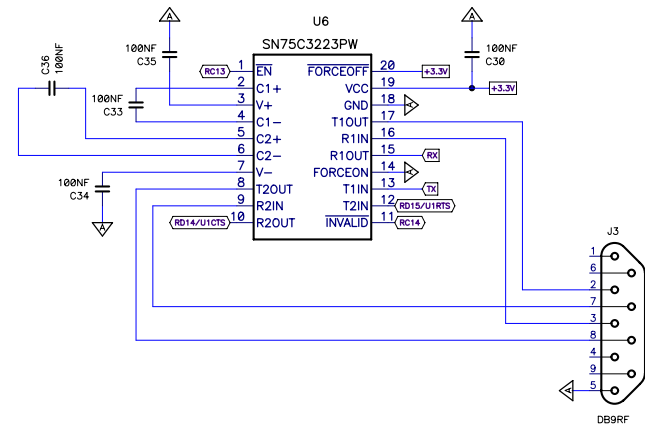
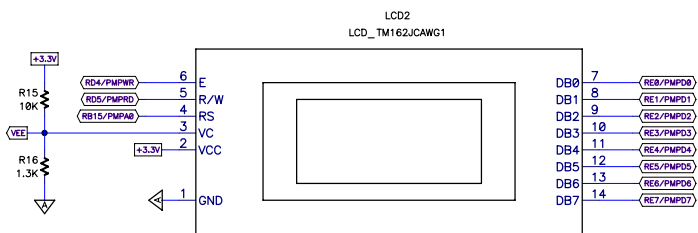
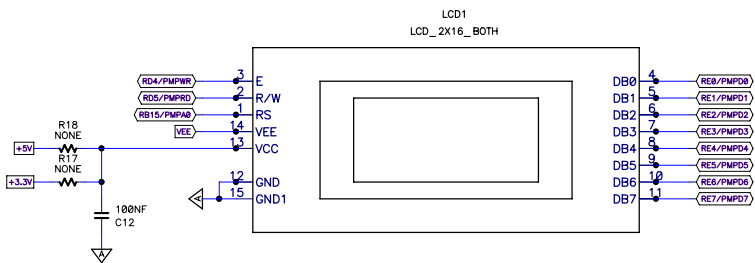
# PIM MODLUE

REV	Revision Notes	Date
1	Initial Schematic Design	3/31/10



# LCD/EXPLORER 16

Rev	Description	Date
1	Initial Design	3/31/10



Title: MCP3903 Eval Board for 16-bit MCU		
Size: B	103-00310	Rev: 1
Date: 3/18/10	Eng: Craig King	
Drawn by: J Garcia		Sheet 5 of 6

A

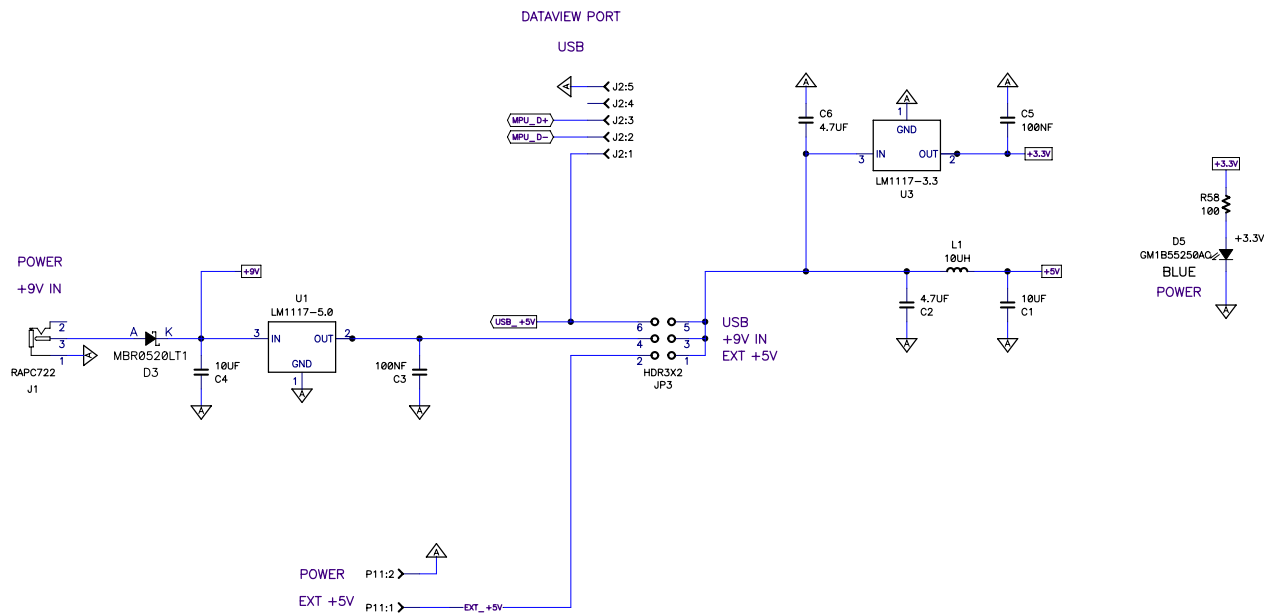
B

C

D

Rev	Description	Date
1	Initial Design	3/31/10

# POWER



Title			MCP3903 Eval Board for 16-bit MCU		
Size	103-00310		Rev	1	
B			Eng: Craig King		
Date:	3/18/10		Drawn by: J Garcia		
Sheet 6 of			6		

A

B

C

D