

4

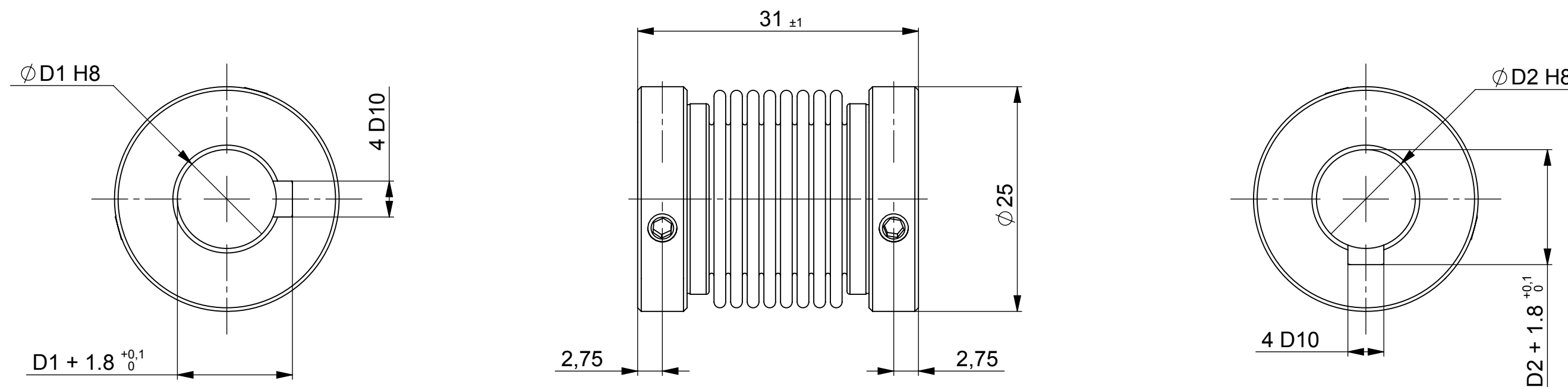
3

2

1

D

D



C

C

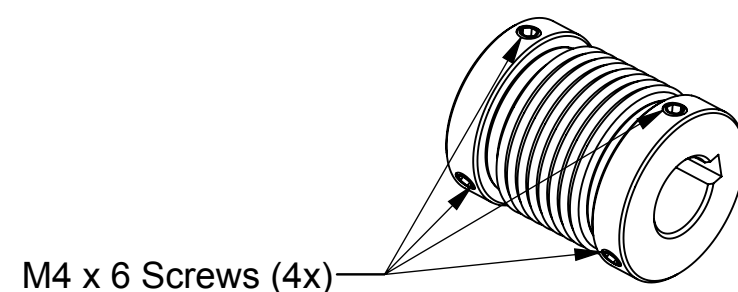
B

B

Order code: **9404/S/D1-D2** with D1=Xmm and D2=Xmm
9404/S/10-10 with D1=10mm and D2=10mm
9404/S/11-11 with D1=11mm and D2=11mm
9404/S/12-12 with D1=12mm and D2=12mm

A

A



UNCONTROLLED COPY

FIRST ISSUE DATE : 28/03/2018
 DRAWN : RHM
 APPROVED : JHH
 DATE : 28/03/2018

SENSATA TECHNOLOGIES PROPRIETARY AND CONFIDENTIAL. NEITHER THIS PRINT NOR THE INFORMATION CONTAINED HEREON IS TO BE USED AGAINST THE INTERESTS OF SENSATA TECHNOLOGIES OR AGAINST THE INTERESTS OF ANY OF ITS AFFILIATED COMPANIES OR WHOLLY OWNED SUBSIDIARIES.



BEI SENSORS SAS
 Espace Européen de l'Entreprise
 9, rue de Copenhague
 BP 70044 - F 67013 STRASBOURG Cedex
 Tel : +33 (0)3 88 20 81 40

BEI Sensors

ECN :

UNLESS OTHERWISE SPECIFIED DIMENSIONS ARE IN MILLIMETERS [INCHES] AND ARE INTENDED AS NOMINAL. SEE PRODUCT SPECIFICATION FOR MORE DETAILS.

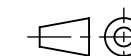
TITLE
9404/S/xx-xx

DATE :

Housing material :
 Flange material :
 Coupling material : Aluminum

DO NOT SCALE DRAWING

EUROPEAN SYSTEM



SIZE
A3

DWG NO.

M016

REV.
A

SCALE 2/1

SOLIDWORKS

SHEET 1 OF 1

4

3

2

1

DEVICE:

PROJECT: