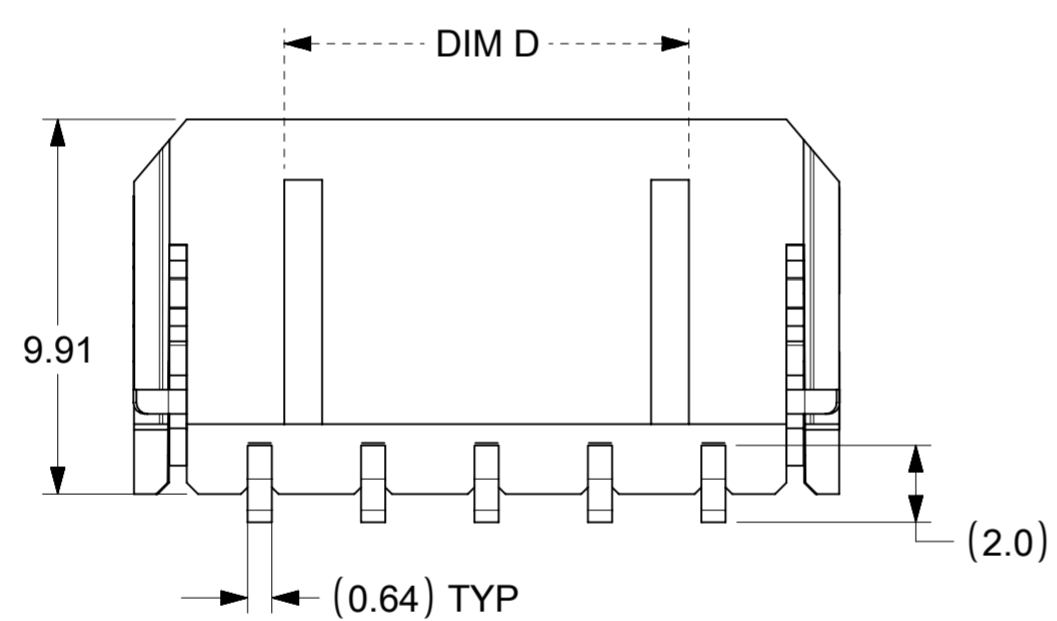
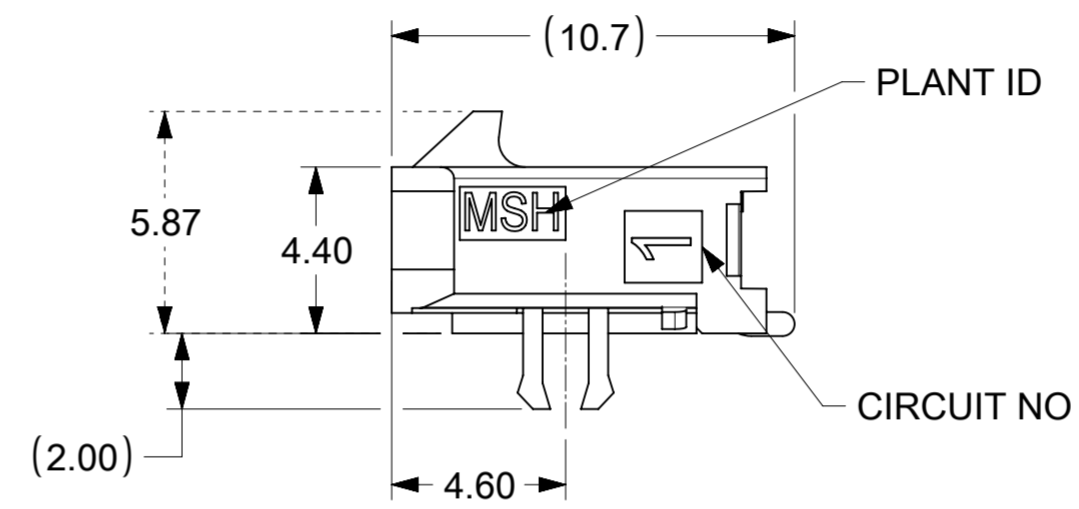
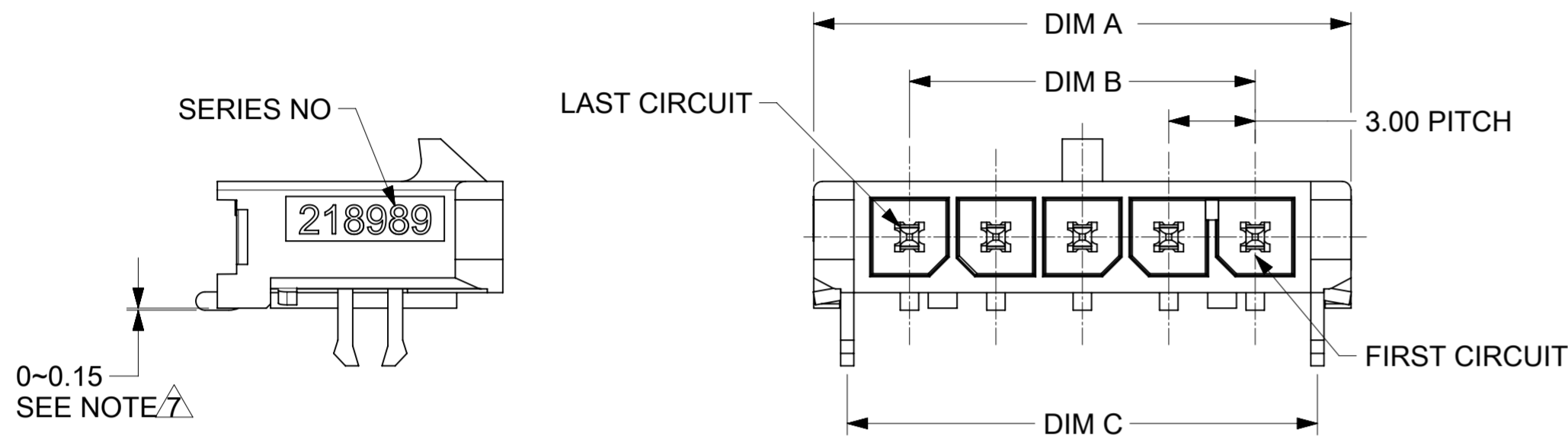
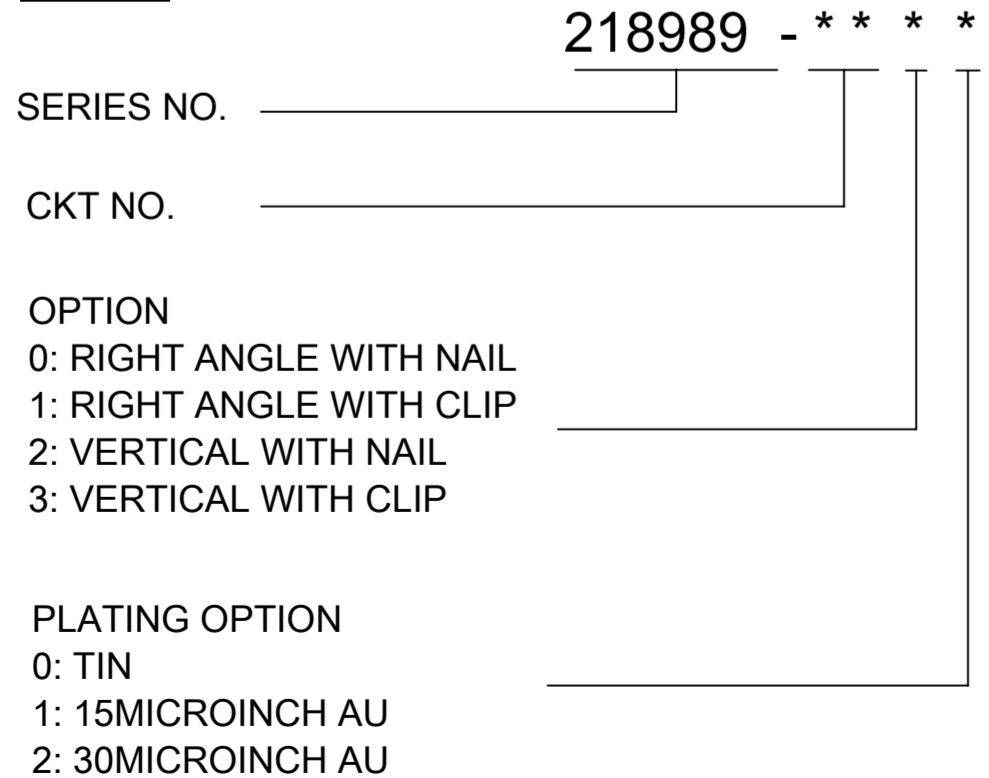


FINISH TYPE	"0" TIN	"1" 15MICROINCH GOLD	"2" 30MICROINCH GOLD				
CKT	HDR ASSY PN	HDR ASSY PN	HDR ASSY PN	A	B	C	D
2	2189890210	2189890211	2189890212	9.65	3.00	7.30	2.95
3	2189890310	2189890311	2189890312	12.65	6.00	10.30	2.95
4	2189890410	2189890411	2189890412	15.65	9.00	13.30	7.70
5	2189890510	2189890511	2189890512	18.65	12.00	16.30	10.70

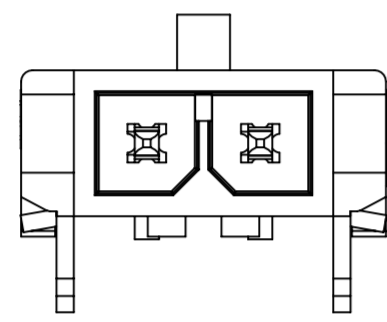


- NOTES:
- HOSING MATERIAL: GLASS FILLED LIQUID CRYSTAL POLYMER, UL 94V-0, COLOR: BLACK
TERMINAL MATERIAL: HIGH COPPER ALLOY
 - FINISH:
OPTION "0": REFLOW MATTE TIN OVER NICKEL
OPTION "1": SELECT 15MICROINCH GOLD AND SELECT MATTE TIN OVER NICKEL.
OPTION "2": SELECT 30MICROINCH GOLD AND SELECT MATTE TIN OVER NICKEL.
 - PRODUCT SPECIFICATION : 2064600000-PS
 - PRODUCT TEST SUMMARY: 2064600000-TS
 - T&R PACK : 2189890001-PK
 - MATE WITH RECEPTACLE 215759
 - THE COPLANARITY DIMENSION IS ESTABLISHED BY PLACING THE ASSEMBLY ON A FLAT SURFACE. THE DISTANCE FROM THAT SURFACE TO THE BOTTOM OF ANY TERMINAL OR NAIL MUST NOT EXCEED 0.15
 - THIS PART CONFORMS TO CLASS 'B' REQUIREMENTS OF COSMETIC SPECIFICATION PS-45499-002.
 - METAL TAB MAY BE FLUSH WITH PCB. NO EXPOSED TRACES OR VIAS ALLOWED NEAR THESE AREAS.

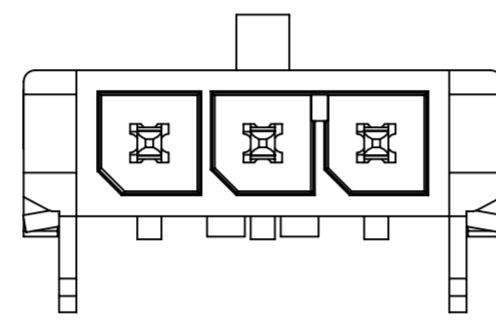
LEGEND



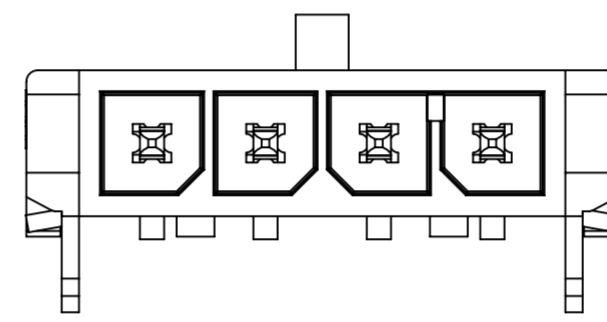
THIS DRAWING CONTAINS INFORMATION THAT IS PROPRIETARY TO MOLEX ELECTRONIC TECHNOLOGIES, LLC AND SHOULD NOT BE USED WITHOUT WRITTEN PERMISSION									
DIMENSION UNITS	SCALE	CURRENT REV DESC:							
mm	NTS								
GENERAL TOLERANCES (UNLESS SPECIFIED)		EC NO: 732047			MICRO-FIT + SINGLE ROW RIGHT ANGLE SMT HEADER WITH PRESS CLIP PRODUCT CUSTOMER DRAWING				
ANGULAR TOL ± 3.0°		DRWN: ZIXUAQ 2022/12/14							
4 PLACES ±		CHK'D: XQZHANG 2022/12/14			DOCUMENT NUMBER: 2189890010-SD DOC TYPE: PSD DOC PART: 000 REVISION: A1				
3 PLACES ±		APPR: XQZHANG 2022/12/14							
2 PLACES ± 0.25		INITIAL REVISION:			MATERIAL NUMBER: SEE TABLE CUSTOMER: GENERAL MARKET SHEET NUMBER: 1 OF 2				
1 PLACE ± 0.36		DRWN: ZIXUAQ 2022/09/08							
0 PLACES ±		APPR: XQZHANG 2022/10/17							
DRAFT WHERE APPLICABLE MUST REMAIN WITHIN DIMENSIONS		THIRD ANGLE PROJECTION		DRAWING: A2-SIZE	SERIES: 218989	MATERIAL NUMBER: SEE TABLE		CUSTOMER: GENERAL MARKET	



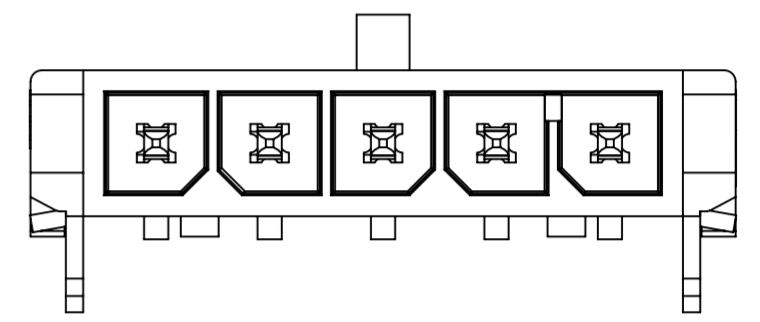
2CKT



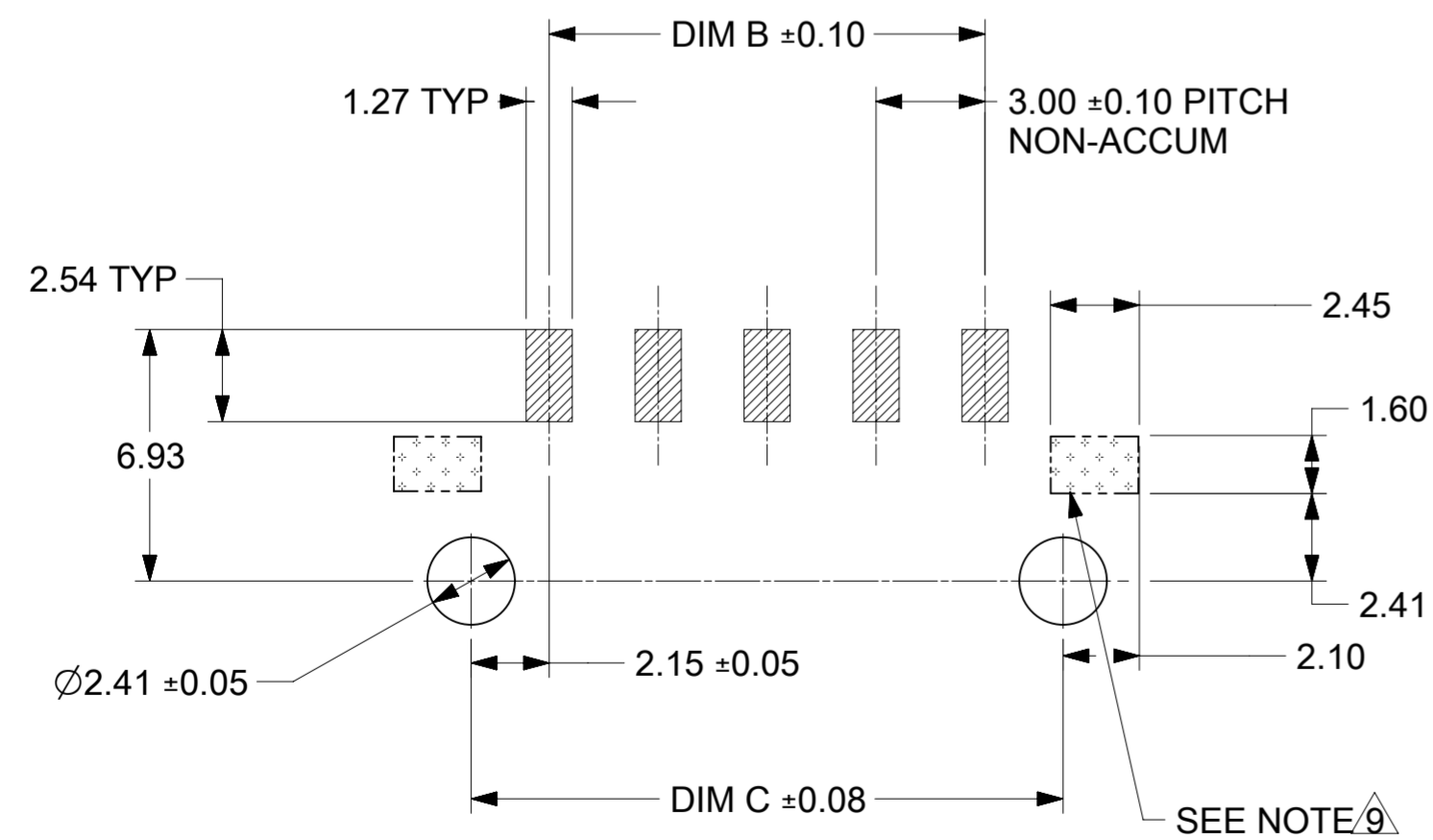
4CKT



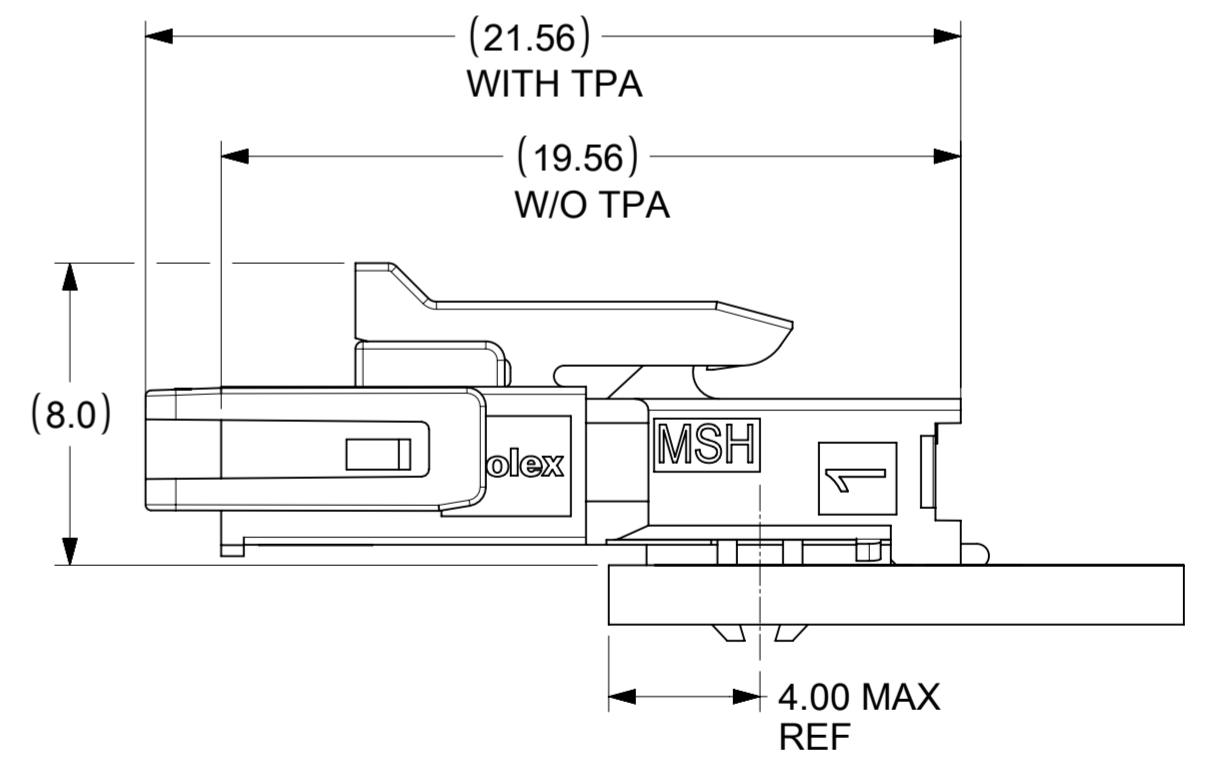
6CKT



8CKT



PCB LAYOUT: COMPONENT SIDE
RECOMMEND PCB THICKNESS: 1.60±0.05MM



THIS DRAWING CONTAINS INFORMATION THAT IS PROPRIETARY TO MOLEX ELECTRONIC TECHNOLOGIES, LLC AND SHOULD NOT BE USED WITHOUT WRITTEN PERMISSION										
DIMENSION UNITS	SCALE	CURRENT REV DESC:								
mm	NTS									
GENERAL TOLERANCES (UNLESS SPECIFIED)						MICRO-FIT + SINGLE ROW RIGHT ANGLE SMT HEADER WITH PRESS CLIP				
ANGULAR TOL ± 3.0°						PRODUCT CUSTOMER DRAWING				
4 PLACES	±	EC NO: 732047								
3 PLACES	±	DRWN: ZIXUAQ	2022/12/14							
2 PLACES	±	CHK'D: XQZHANG	2022/12/14							
1 PLACE	±	APPR: XQZHANG	2022/12/14							
0 PLACES	±	INITIAL REVISION:								
		DRWN: ZIXUAQ	2022/09/08		DOCUMENT NUMBER		DOC TYPE		DOC PART	
		APPR: XQZHANG	2022/10/17		2189890010-SD		PSD		000	
DRAFT WHERE APPLICABLE MUST REMAIN WITHIN DIMENSIONS		THIRD ANGLE PROJECTION	DRAWING	SERIES	MATERIAL NUMBER	CUSTOMER	SHEET NUMBER			
			A2-SIZE	218989	SEE TABLE	GENERAL MARKET	2 OF 2			

DOCUMENT STATUS	RELEASE DATE
-----------------	--------------