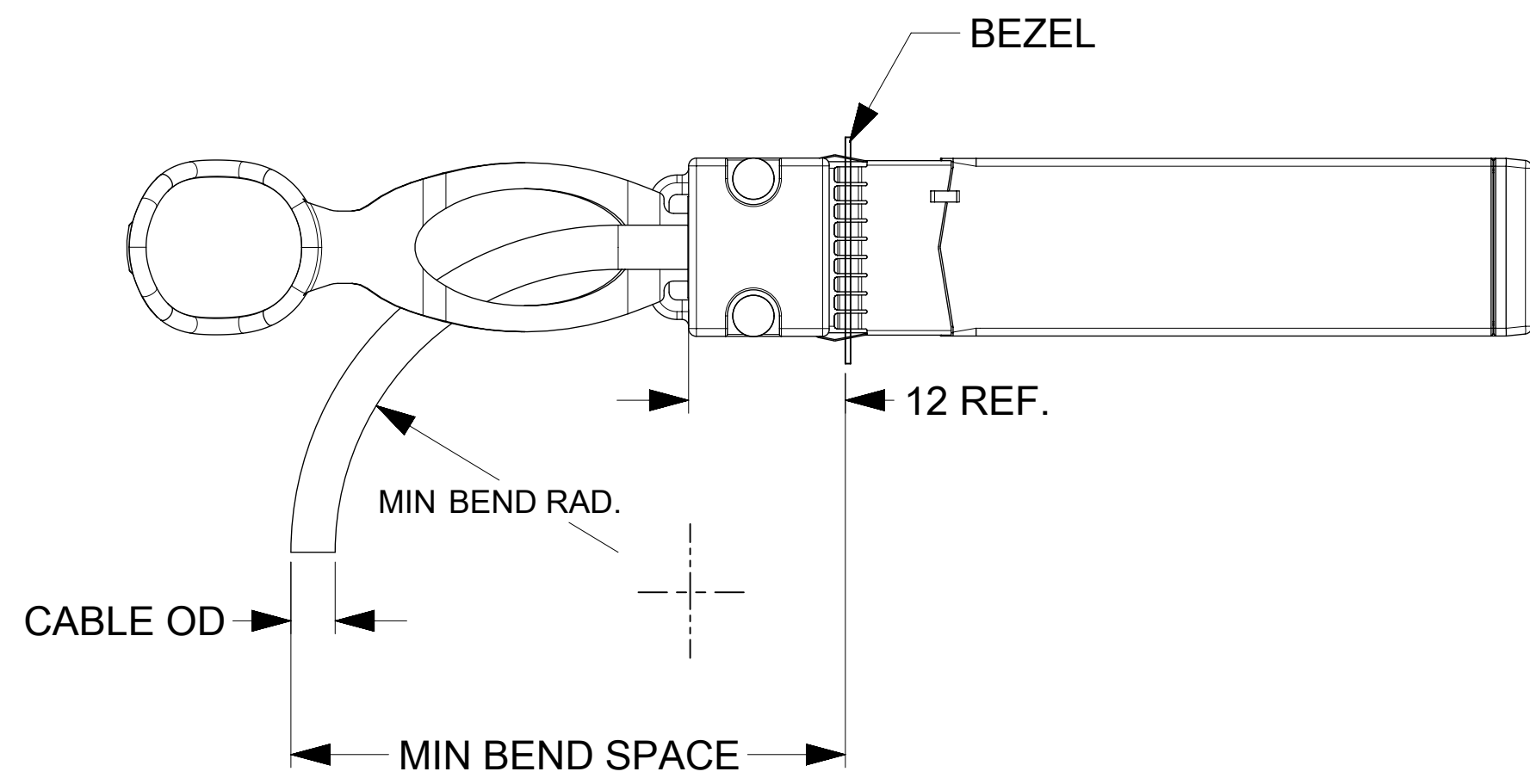


- NOTES:
- MATERIALS
 BACKSHELLS - NICKEL PLATED ZINC
 DE-LATCH PULL - NYLON
 PCB - LAMINATE MATERIAL, UL94 V-0
 RIVETS - STAINLESS STEEL
 - IMPEDANCE - 100 OHMS DIFFERENTIAL, PASSIVE
 - PULL TO RELEASE, PLUNGER STYLE LATCH
 - EACH ASSEMBLY HAS A SERIAL ID
 - RoHS COMPLIANT, NO EXEMPTIONS.

SYMBOLS	THIS DRAWING CONTAINS INFORMATION THAT IS PROPRIETARY TO MOLEX ELECTRONIC TECHNOLOGIES, LLC AND SHOULD NOT BE USED WITHOUT WRITTEN PERMISSION											
	DIMENSION UNITS	SCALE	CURRENT REV DESC: UPDATED P/N TABLE									
▽ = 0	mm								SFP-DD 56G PASSIVE CABLE ASSY			
▽ = 0	GENERAL TOLERANCES (UNLESS SPECIFIED)		EC NO: 645821							PRODUCT CUSTOMER DRAWING		
▽ = 0	ANGULAR TOL	±	°	DRWN: KCHEN36 2019/07/24							DOCUMENT NUMBER	
▽ = 0	4 PLACES	±		CHK'D: SVMURTHY 2020/09/22							DOC TYPE	
▽ = 0	3 PLACES	±		APPR: KNAGANNA 2020/09/23							DOC PART	
▽ = 0	2 PLACES	±		INITIAL REVISION:							REVISION	
▽ = 0	1 PLACE	±		DRWN: BCHEN06 2017/12/18							2049620001	
▽ = 0	0 PLACES	±		APPR: ADTUCKER 2018/03/09							PSD 000 F	
☒ = 0	DRAFT WHERE APPLICABLE MUST REMAIN WITHIN DIMENSIONS		THIRD ANGLE PROJECTION		DRAWING	SERIES	MATERIAL NUMBER	CUSTOMER		SHEET NUMBER		
▽ = 0					D-SIZE	204962	SEE P/N TABLE	GENERAL MARKET		1 OF 3		

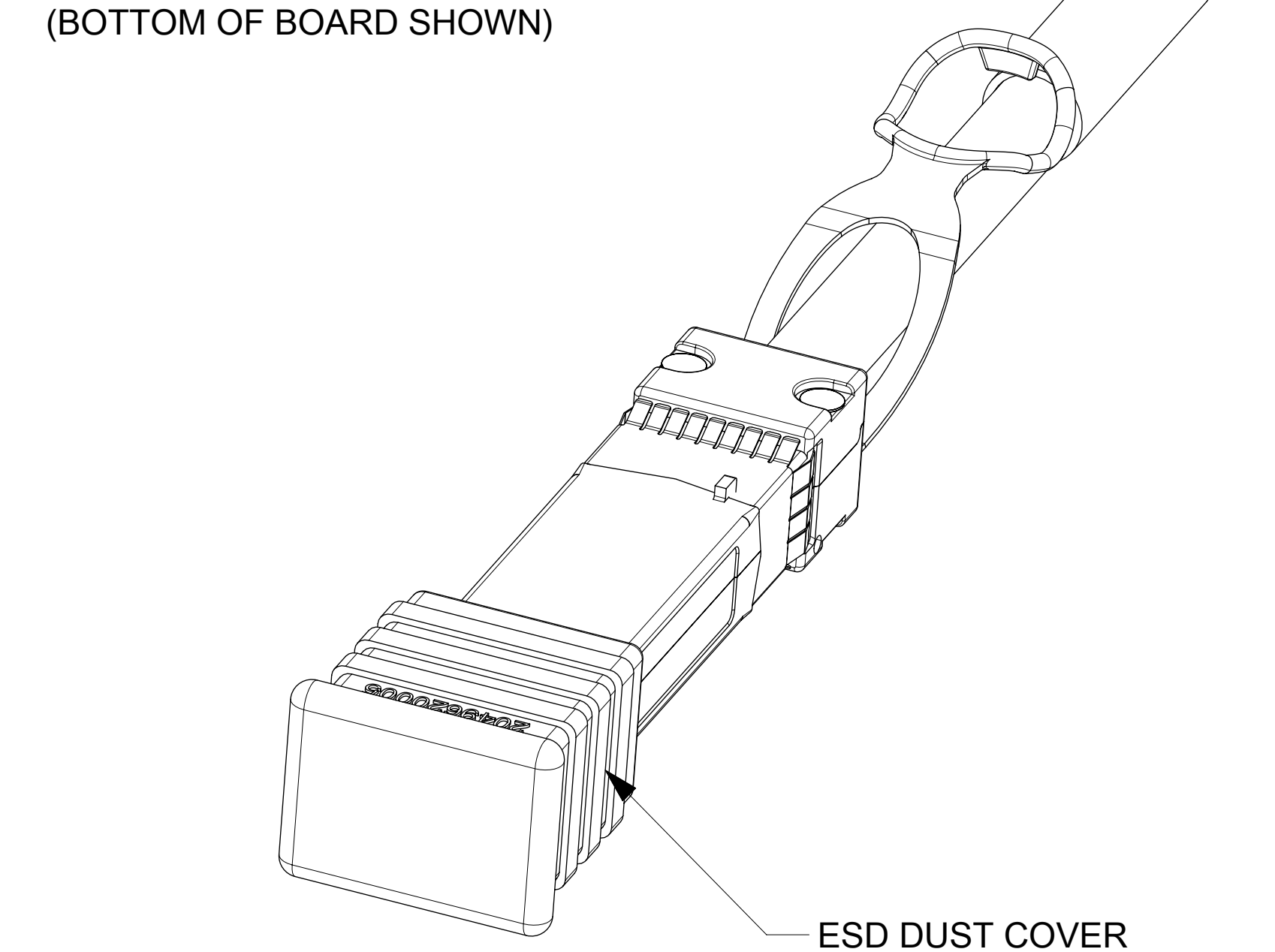
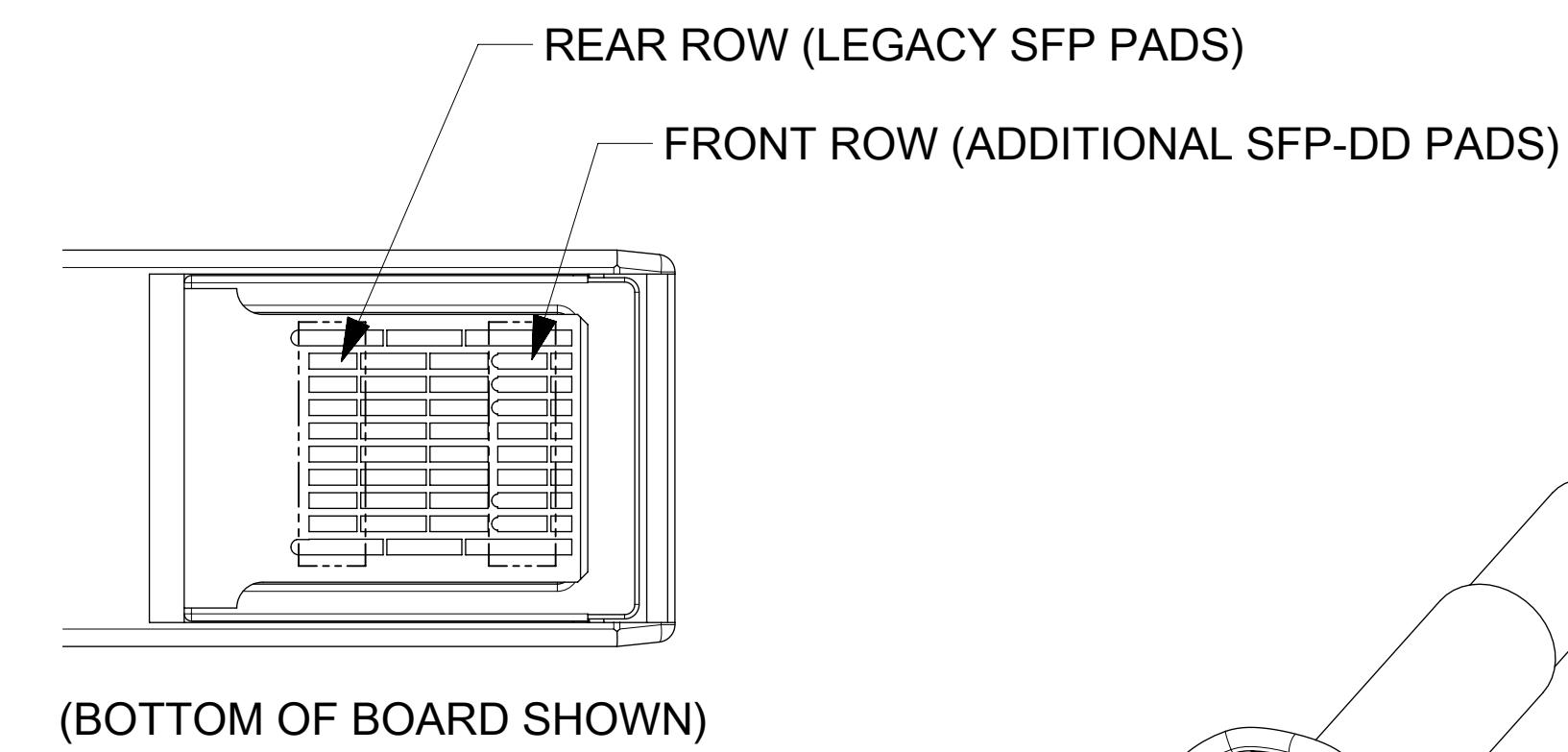
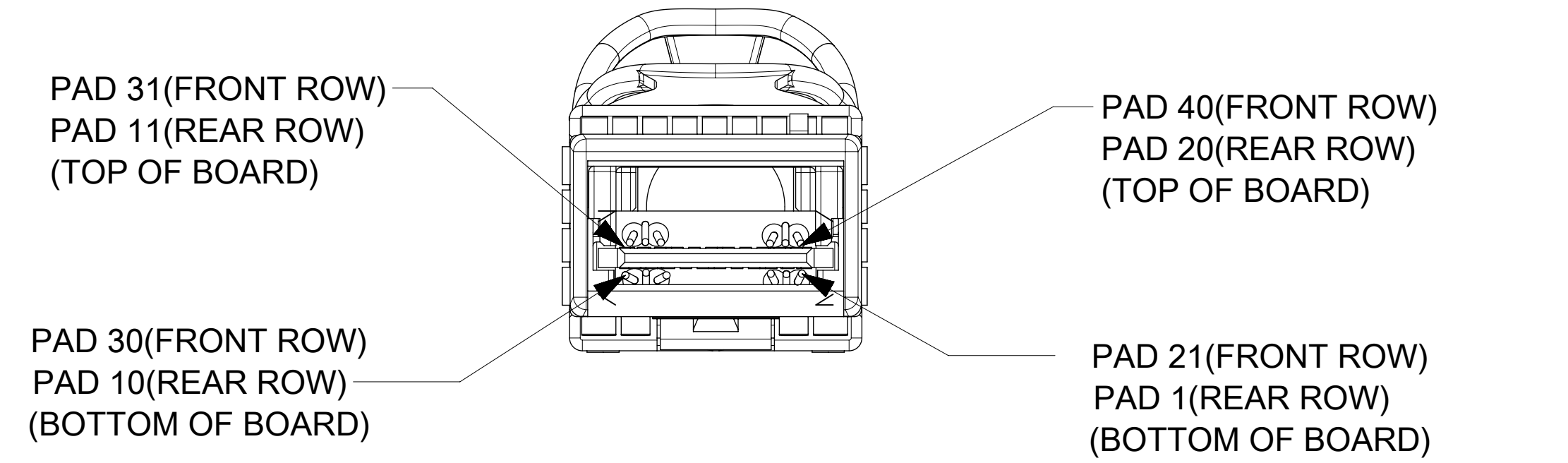
DOCUMENT STATUS	P1	RELEASE DATE	2020/09/23	07:14:40
-----------------	----	--------------	------------	----------



CABLE AWG	O.D.	MIN BEND RADIUS (mm)	MIN BEND SPACE (mm)
30	5.89	30	48
28	6.48	33	51
26	7.62	38.5	56.5

WIRING DIAGRAM					
P1 END			P2 END		
PAD	SIGNAL			PAD	SIGNAL
02	Tx_Fault	NC	NC	02	Tx_Fault
03	Tx_Disable	NC	NC	03	Tx_Disable
04	SDA	□	□	04	SDA
05	SCL	□	□	05	SCL
06	Mod_ABS	NC	NC	06	Mod_ABS
07	RS0	NC	NC	07	RS0
08	Rx_LOS	NC	NC	08	Rx_LOS
09	RS1	NC	NC	09	RS1
12	RD-	<----		19	TD-
13	RD+	<----		18	TD+
15	VccR	NC	NC	15	VccR
16	VccT	NC	NC	16	VccT
18	TD+	---->		13	RD+
19	TD-	---->		12	RD-
22	RSVD	NC	NC	29	RSVD
23	RSVD	NC	NC	28	RSVD
25	RSVD	NC	NC	36	RSVD
26	RSVD	NC	NC	35	RSVD
28	RSVD	NC	NC	23	RSVD
29	RSVD	NC	NC	22	RSVD
32	RD1-	<----		39	TD1-
33	RD1+	<----		38	TD1+
35	RSVD	NC	NC	26	RSVD
36	RSVD	NC	NC	35	RSVD
38	TD1+	---->		33	RD1+
39	TD1-	---->		32	RD1-

LEGEND:
 ----> = THRU LINES
 NC = NOT CONNECTED
 □ = CONNECTION TO A DEVICE ON THE PCB
 SINGAL GROUND PADS: 1, 10, 11, 14, 17, 20, 21, 24, 27, 30, 31, 34, 37, 40

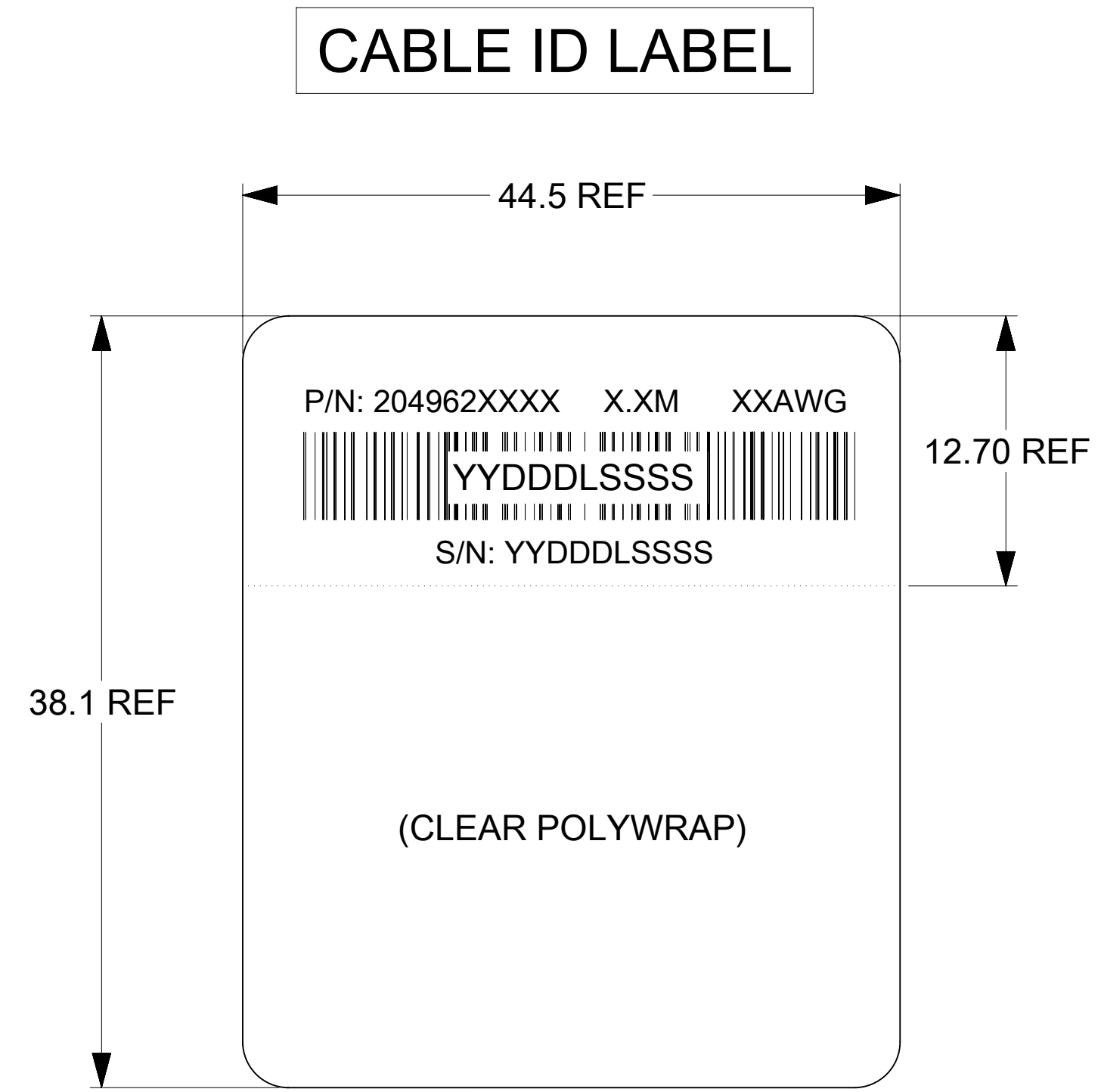


SYMBOLS	THIS DRAWING CONTAINS INFORMATION THAT IS PROPRIETARY TO MOLEX ELECTRONIC TECHNOLOGIES, LLC AND SHOULD NOT BE USED WITHOUT WRITTEN PERMISSION		CURRENT REV DESC: UPDATED P/N TABLE		
	DIMENSION UNITS	SCALE			
▽ = 0	mm			SFP-DD 56G PASSIVE CABLE ASSY	
▽ = 0	GENERAL TOLERANCES (UNLESS SPECIFIED)		EC NO: 645821		PRODUCT CUSTOMER DRAWING
▽ = 0	ANGULAR TOL ± °		DRWN: KCHEN36 2019/07/24		
▽ = 0	4 PLACES ±		CHK'D: SVMURTHY 2020/09/22		DOCUMENT NUMBER
▽ = 0	3 PLACES ±		APPR: KNAGANNA 2020/09/23		
▽ = 0	2 PLACES ±		INITIAL REVISION:		DOC TYPE
▽ = 0	1 PLACE ±		DRWN: BCHEN06 2017/12/18		
▽ = 0	0 PLACES ±		APPR: ADTUCKER 2018/03/09		DOC PART
▽ = 0	DRAFT WHERE APPLICABLE MUST REMAIN WITHIN DIMENSIONS		THIRD ANGLE PROJECTION		
▽ = 0			DRAWING SERIES		REVISION
▽ = 0			D-SIZE 204962		
MATERIAL NUMBER			CUSTOMER		SHEET NUMBER
2049620001			GENERAL MARKET		

PART NUMBER TABLE

PART NUMBER	LENGTH	TOL.	AWG
2049621051	0.5M	±0.03M	30
2049621101	1.0M	±0.05M	30
2049621151	1.5M	±0.05M	30
2049621201	2.0M	±0.05M	30
2049622201	2.0M	±0.05M	28
2049622251	2.5M	±0.05M	28
2049623301	3.0M	±0.05M	26

NOTES:
CUSTOM CABLE LENGTH AND GAUGE AVAILABLE UPON REQUEST



P/N: 204962XXXX - MOLEX PART NUMBER (SEE P/N TABLE)

X.XM - CABLE LENGTH IN METERS (EXAMPLES - 0.5M, 1.0M, 1.5M, SEE P/N TABLE)

XXAWG - CABLE SIZE IN AWG (SEE P/N TABLE)

S/N: YYDDDLSSSS - SERIAL NUMBER

YY = YEAR, THE LAST TWO DIGITS OF YEAR

DDD = DAY OF THE YEAR

L = LOCATION

1 - USA

2 - MEXICO

3 - CHINA

4 - PHILIPPINES

SSSS = SERIAL NUMBER (0001-9999)

SYMBOLS	THIS DRAWING CONTAINS INFORMATION THAT IS PROPRIETARY TO MOLEX ELECTRONIC TECHNOLOGIES, LLC AND SHOULD NOT BE USED WITHOUT WRITTEN PERMISSION		CURRENT REV DESC: UPDATED P/N TABLE			
DIMENSION UNITS	SCALE					
▽ = 0	mm					
▽ = 0	GENERAL TOLERANCES (UNLESS SPECIFIED)					
▽ = 0	ANGULAR TOL	±	°			
▽ = 0	4 PLACES	±				
▽ = 0	3 PLACES	±				
▽ = 0	2 PLACES	±				
▽ = 0	1 PLACE	±				
▽ = 0	0 PLACES	±				
■ = 0	DRAFT WHERE APPLICABLE MUST REMAIN WITHIN DIMENSIONS					
▽ = 0	THIRD ANGLE PROJECTION	DRAWING	SERIES	MATERIAL NUMBER	CUSTOMER	SHEET NUMBER
			D-SIZE	204962	SEE P/N TABLE	GENERAL MARKET
						3 OF 3

molex

SFP-DD 56G PASSIVE CABLE ASSY

PRODUCT CUSTOMER DRAWING

DOCUMENT NUMBER	DOC TYPE	DOC PART	REVISION
2049620001	PSD	000	F