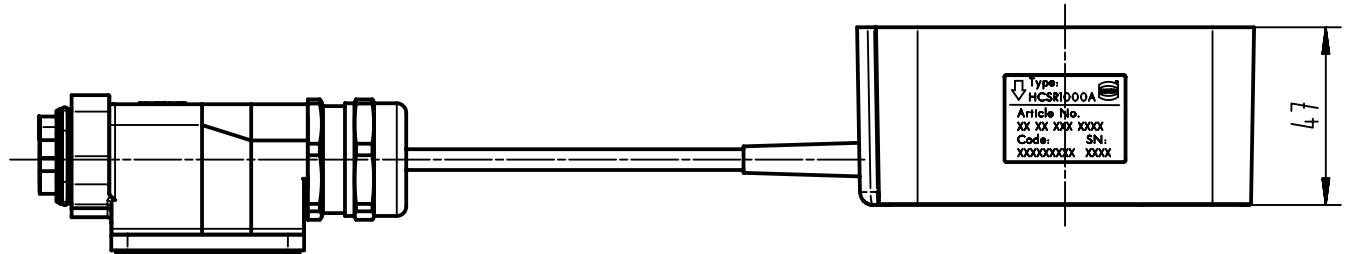


1 2 3 4 5 6

A

Pin 1
Pin 2
Pin 3
Cable shield



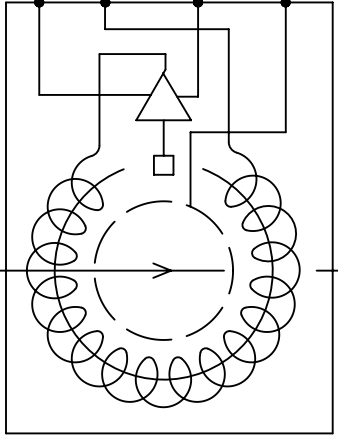
B

-Vc 0V +Vc Screen

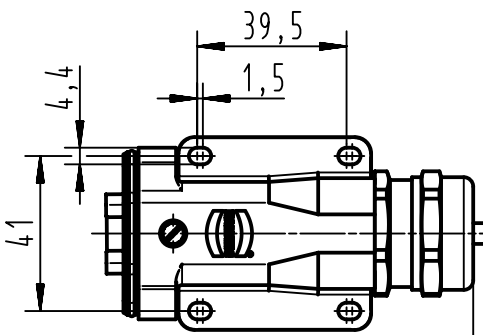


sensor

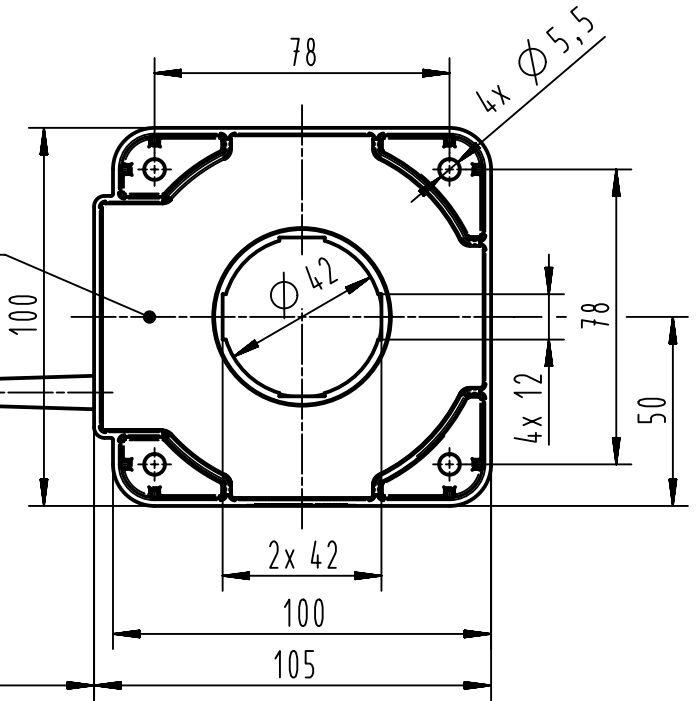
Ip



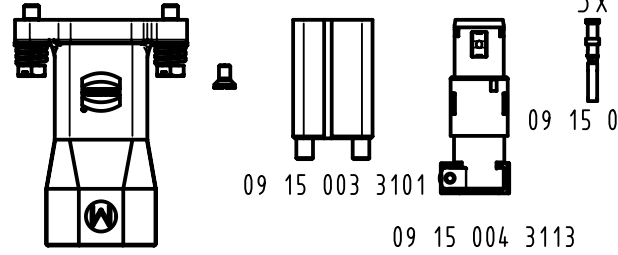
C



Hall-Element position



Enclosed separately



D

19 40 703 0411

	All Dimensions in mm Original Size DIN A4		Scale 1:2	Free size tol.		Ref. Sub.		
	All rights reserved Department EL PD - DE		Created by GRUBES	Inspected by HORSTMANNJ	Standardisation TIEMANNA	Date 2013-04-19	State Old Release	
HARTING Electric GmbH & Co. KG D-32339 Espelkamp			Title HCSR1000 w.120mm Cable + 3A HPR Quintax				Doc-Key / ECM-Nr. 100534596/UGD/001/A 500000061224	
			Type TB	Number 20 31 100 9103			Rev. A	Page 1/1