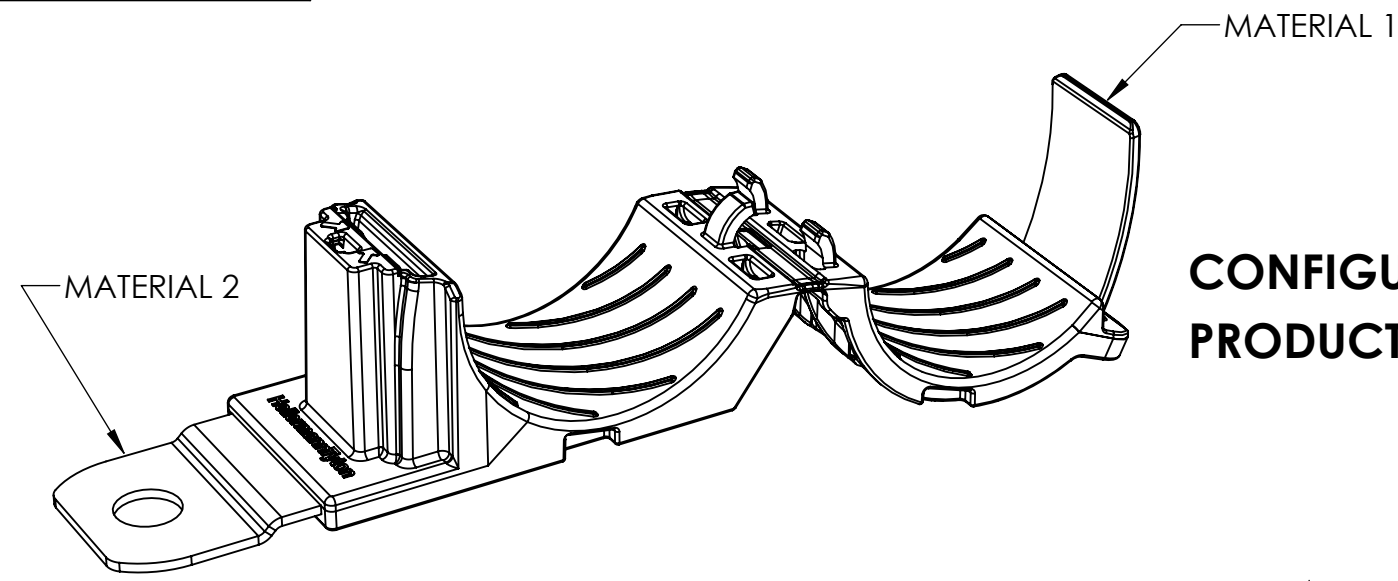
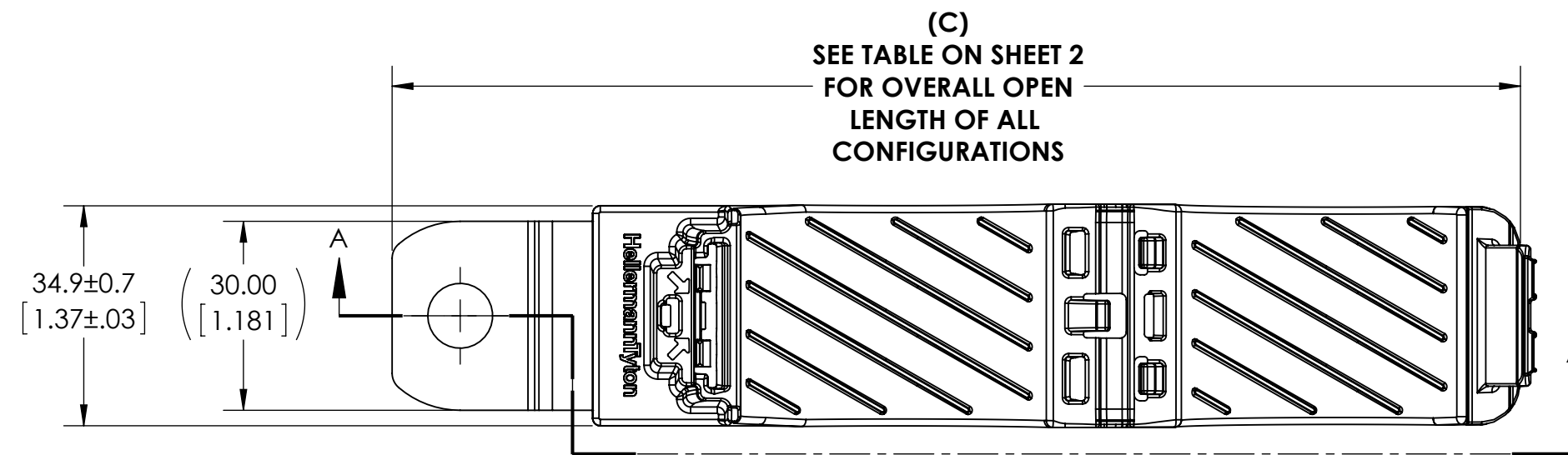


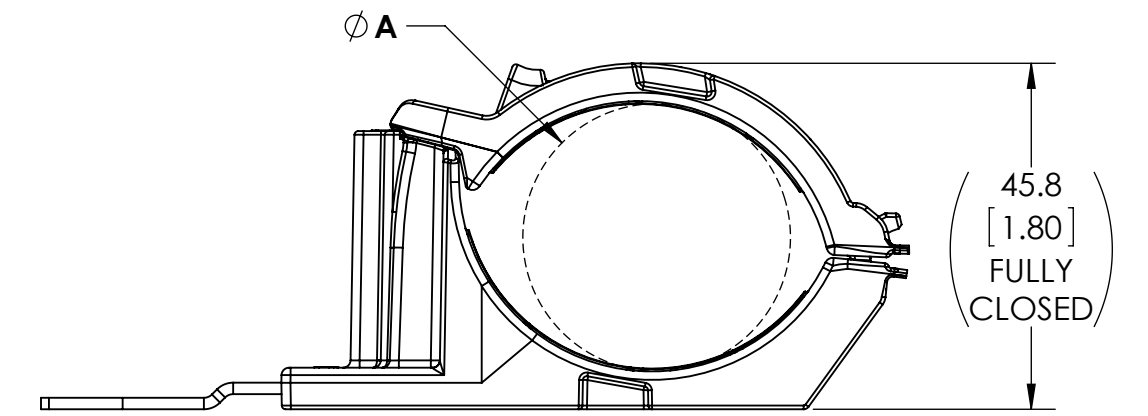
Revision level			Revision Record	Changed	Date	Approved	Date
Drawing	State	Part					
02.1	Design Release	-	SEE ECN# 013832	MHT	05/04/2017	KAC	05/04/2017



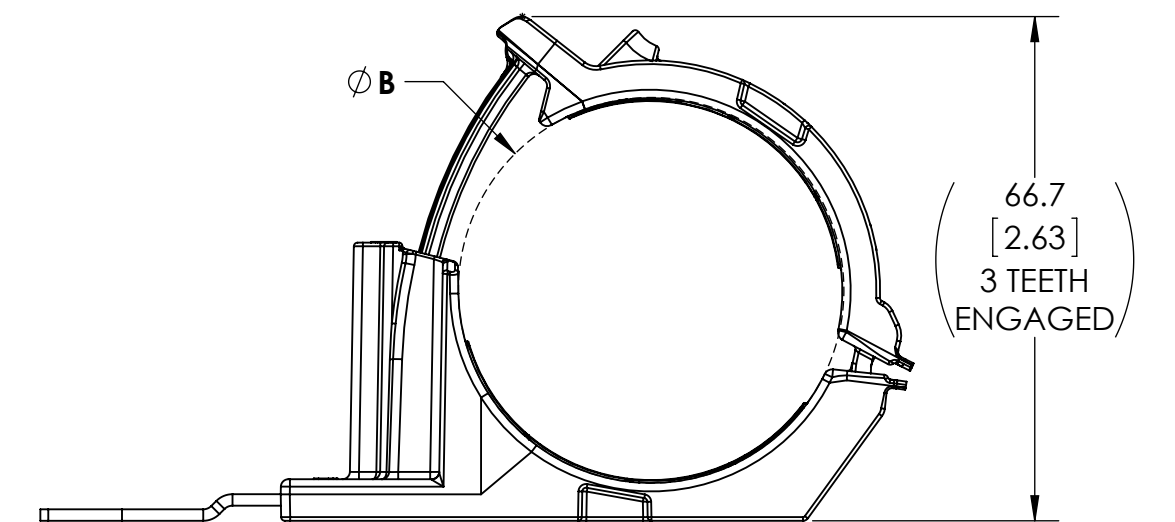
**CONFIGURATION 1 SHOWN
PRODUCT SHIPPED IN CLAMP OPEN POSITION**



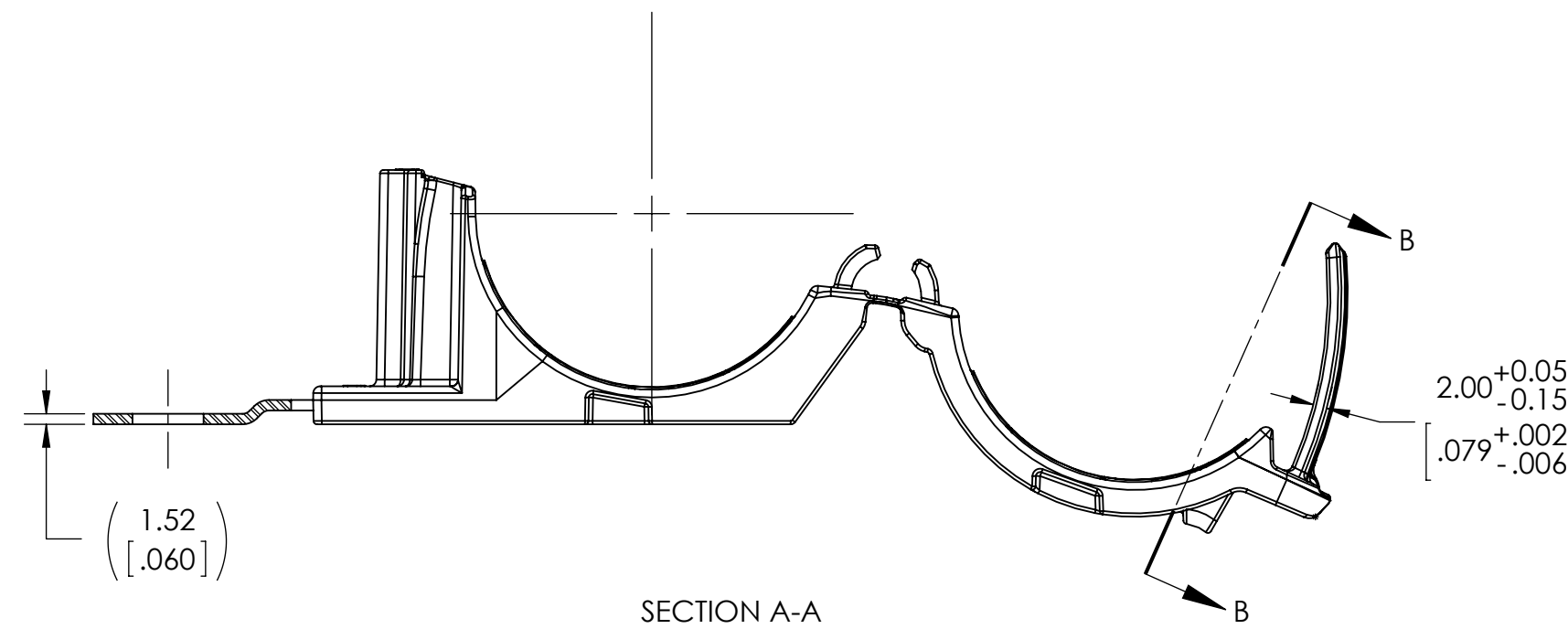
(C)
SEE TABLE ON SHEET 2
FOR OVERALL OPEN
LENGTH OF ALL
CONFIGURATIONS



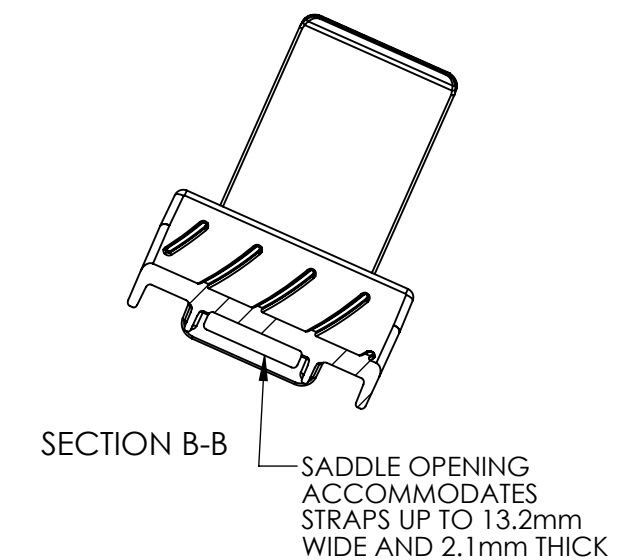
MINIMUM BUNDLE DIAMETER



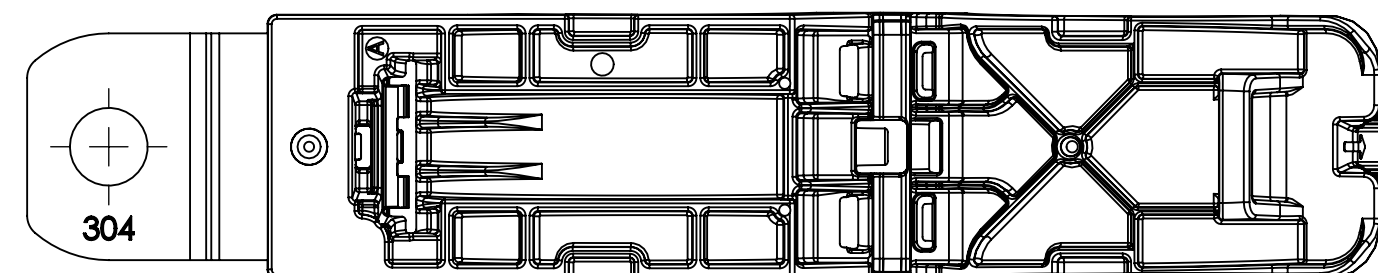
MAXIMUM BUNDLE DIAMETER



SECTION A-A



SECTION B-B



304

INITIAL MOLD VALIDATION:

1. ITS-0003 RATCHET P CLAMP SOLID MANDREL TEST:
EXCEEDED 445 NEWTONS (100 LBS) MIN AT A NOMINAL BUNDLE DIAMETER OF 44.45 [1.750]
TESTING ONLY REQUIRED OF CONFIGURATION *RCD180SM10SS, *RCD180LM10SS, AND *RCD90LM10SS
*TESTING CAN BE SUBSTITUTED WITH M6, M8, M12 VERSION MOUNTING HOLES

2. ITS-0008 CLOSE AND RELEASE TEST:
EXCEEDED 445 NEWTONS (100 LBS) MIN AT A NOMINAL BUNDLE DIAMETER OF 44.45 [1.750] AFTER CLOSING AND RELEASING 40 TIMES

3. ITS-0014 LOW TEMPERATURE HINGE TEST:
NO DAMAGE OCCURRED AFTER BENDING LIVING HINGE 40 TIMES AT -40°C

NOTE: TESTING #2 AND #3 CAN BE DONE ON ANY TYPE NUMBER AND WILL APPLY TO ALL OTHER TYPE NUMBERS IN THE TABLE ON SHEET 2

PERFORMANCE REQUIREMENTS:

DRY AS MOLDED WITH ≤ 0.5% MOISTURE CONTENT:

4. ITS-0001 RATCHET P CLAMP SPLIT MANDREL TEST:
445 NEWTONS (100 LBS) MIN AT A NOMINAL BUNDLE DIAMETER OF 44.45 [1.750]

NOTE: TESTING CAN BE DONE ON ANY TYPE NUMBER AND WILL APPLY TO ALL OTHER TYPE NUMBERS IN THE TABLE ON SHEET 2

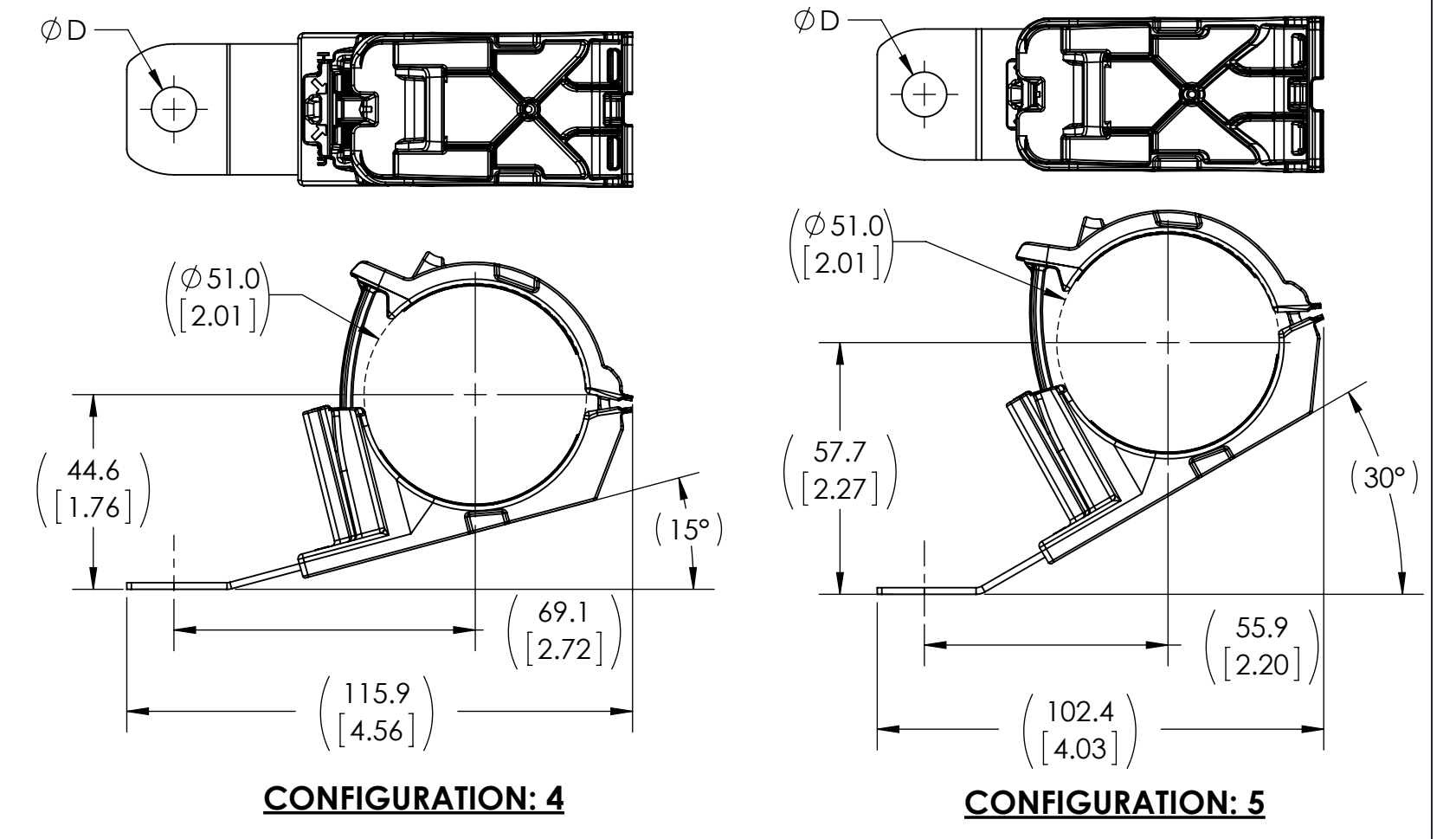
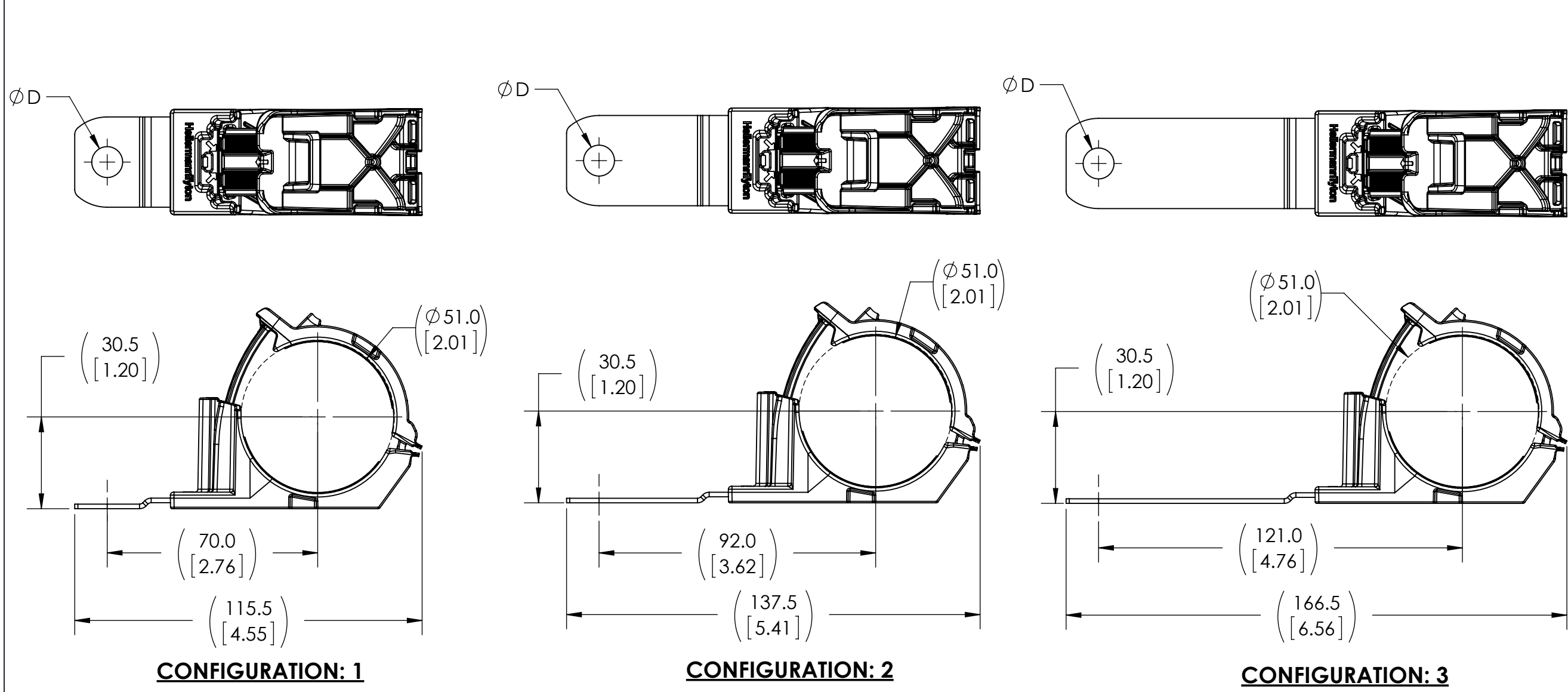
5. MAXIMUM PERCENT REGRIND PERMISSIBLE: 25%

6. MAXIMUM ALLOWABLE FLASH OR MISMATCH TO BE: 0.25mm

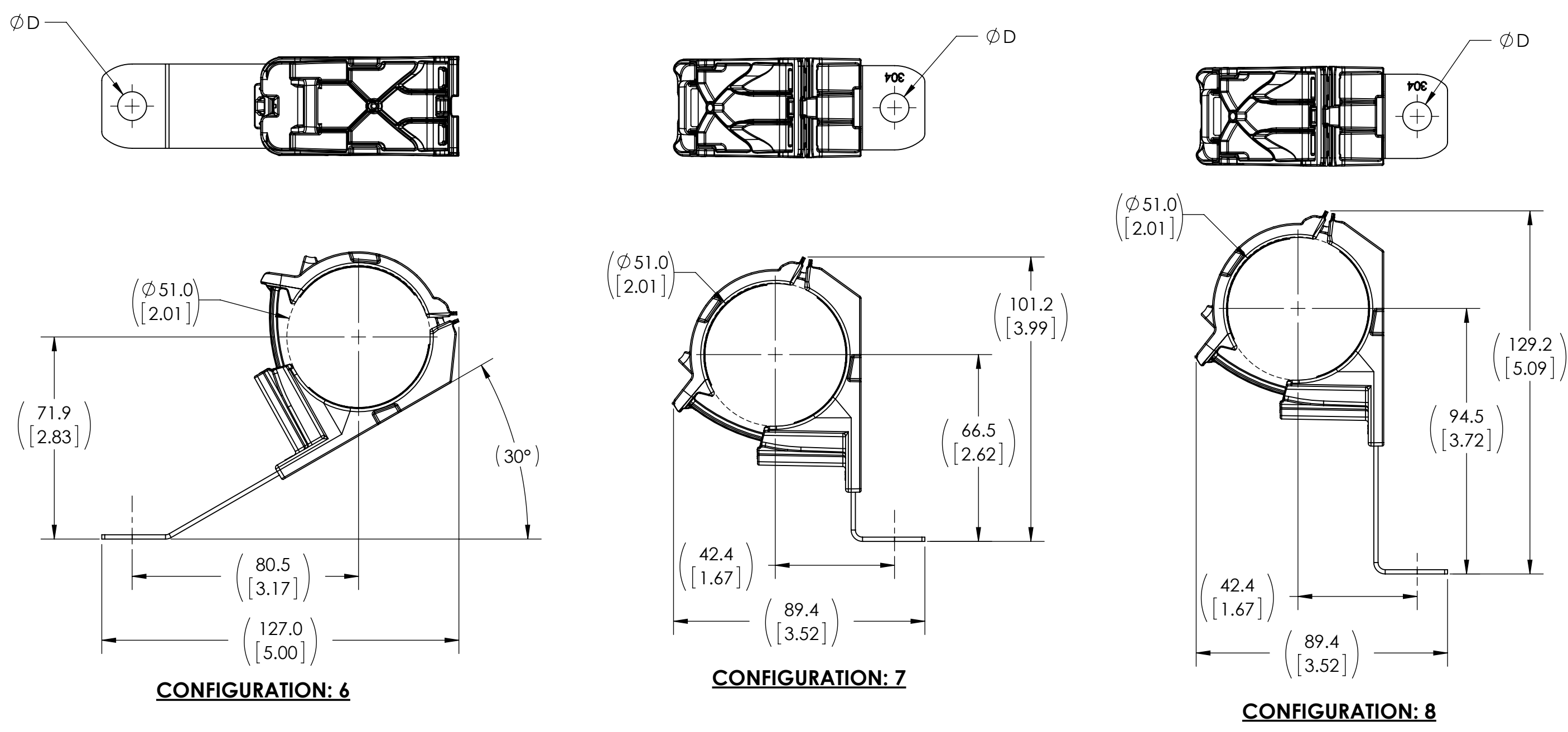
BUNDLE TYPES	A MINIMUM DIAMETER	B MAXIMUM DIAMETER
SOFT	36.0 [1.42]	51.0 [2.00]
HARD	35.2 [1.39]	49.9 [1.96]

Notes	Material	Units: millimeters	The copyright of this drawing is reserved by HellermannTyton. It is issued on condition that it is not reproduced, copied, or disclosed to a third party, either wholly or in part, without the consent of HellermannTyton.	Drawn	CRB	06/28/16	Article/Type-No	SEE CHART (SHEET 2)	Scale	1:1
	1. PA66HIRHSUV 2. STAINLESS STEEL	Dimension without tolerances details to:		Approved	MHT	06/28/16	Title	RCD RATCHET P CLAMP, SIZE D, CLAMP RANGE 36.0 TO 51.0, STAINLESS STEEL	Project Number	PRP16-1242
		.xxx = ±.013		HellermannTyton		Drawing-No	PRODUCTION : Phase	Format	C	
		.xx = ±.13		North America		16-1242-104-CSU		Sheet	1/2	
.x = ±.3	Email: corp@htamericas.com									
None = ±.8	Web: www.hellermann.tyton.com									
< = ±0.5*										
Dimension Formatted mm{in}										

Revision level			Revision Record	Changed	Date	Approved	Date
Drawing	State	Part					
02.1	Design Release	-	SEE ECN# 013832	MHT	05/04/2017	KAC	05/04/2017



**ALL VIEWS IN MAXIMUM BUNDLE DIAMETER
 PRODUCT SHIPPED IN CLAMP OPEN POSITION**



CONFIGURATION	DESCRIPTION	D ±0.13	TYPE	C - OVERALL OPEN LENGTH REFERENCE (SEE SHEET 1)
1	180° SHORT	6.50 [0.256]	RCD180SM6SS	181.5 [7.15]
		8.31 [0.327]	RCD180SM8SS	
		10.29 [0.405]	RCD180SM10SS	
		12.95 [0.510]	RCD180SM12SS	
2	180° MEDIUM	6.50 [0.256]	RCD180MM6SS	203.5 [8.01]
		8.31 [0.327]	RCD180MM8SS	
		10.29 [0.405]	RCD180MM10SS	
3	180° LONG	6.50 [0.256]	RCD180LM6SS	232.5 [9.15]
		8.31 [0.327]	RCD180LM8SS	
		10.29 [0.405]	RCD180LM10SS	
4	15° SHORT	6.50 [0.256]	RCD15SM6SS	189.4 [7.46]
		8.31 [0.327]	RCD15SM8SS	
		10.29 [0.405]	RCD15SM10SS	
5	30° SHORT	6.50 [0.256]	RCD30SM6SS	187.3 [7.37]
		8.31 [0.327]	RCD30SM8SS	
		10.29 [0.405]	RCD30SM10SS	
6	30° LONG	6.50 [0.256]	RCD30LM6SS	215.8 [8.50]
		8.31 [0.327]	RCD30LM8SS	
		10.29 [0.405]	RCD30LM10SS	
7	90° SHORT	6.50 [0.256]	RCD90SM6SS	167.2 [6.58]
		8.31 [0.327]	RCD90SM8SS	
		10.29 [0.405]	RCD90SM10SS	
8	90° LONG	6.50 [0.256]	RCD90LM6SS	195.2 [7.69]
		8.31 [0.327]	RCD90LM8SS	
		10.29 [0.405]	RCD90LM10SS	

Notes	Material	Units: millimeters	Drawn	CRB	06/28/16	Article/Type-No	SEE CHART	Scale	2:3	
	1. PA66HIRHSUV 2. STAINLESS STEEL	Dimension without tolerances details to:	Approved	MHT	06/28/16	Title	RCD RATCHET P CLAMP, SIZE D, CLAMP RANGE 36.0 TO 51.0, STAINLESS STEEL	Project Number	PRP16-1242	
		.xxx = ±.013 .xx = ±.13 .x = ±.3 None = ±.8 ∠ = ±0.5°	The copyright of this drawing is reserved by HellermannTyton. It is issued on condition that it is not reproduced, copied, or disclosed to a third party, either wholly or in part, without the consent of HellermannTyton.		HellermannTyton		Drawing-No	PRODUCTION : Phase	Format	C
		Dimension Formatted mm/[in]	North America Email: corp@htamericas.com Web: www.hellermann.tyton.com		16-1242-104-CSU		Sheet	2/2		