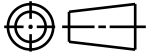
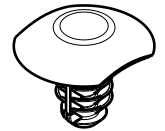
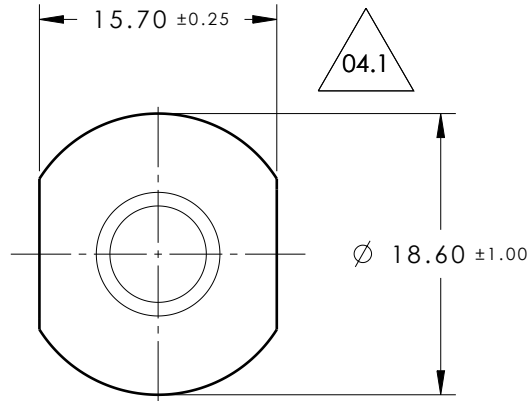


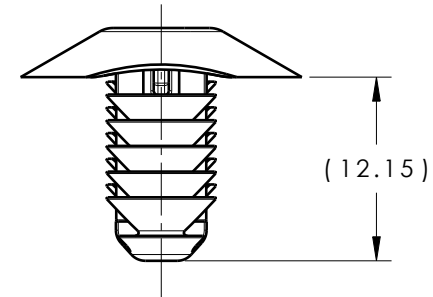
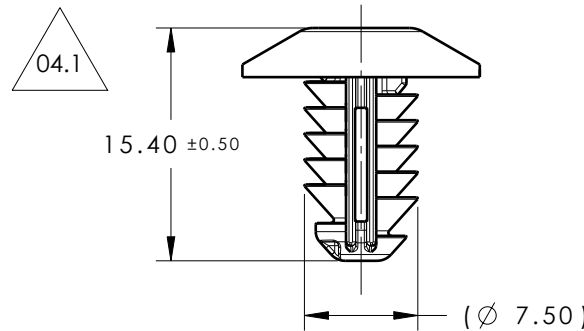
CATIA V5



Revision Level			Revision Record	Changed	Date	Approved	Date
Drawing	State	Part					
04.1	Design Release		SEE ECN# 014788	EJF	12/10/18	EJH	12/10/18



ISOMETRIC VIEW
SCALE 1:1



REFERENCE:

PERFORMANCE REQUIREMENTS AT DRY AS MOLDED:

- FIR TREE PUSH IN FORCE: 45 NEWTONS (10 LBS) MAX IN THE APPLICABLE NOMINAL HOLE SIZE AND A PLATE THICKNESS OF 1.8mm.
- FIR TREE PULL OUT FORCE: 110 NEWTONS (25 LBS) MIN IN THE APPLICABLE NOMINAL HOLE SIZE AND A PLATE THICKNESS OF 1.8mm.
- SHEET METAL THICKNESS RANGE: 0.60mm - 5.5mm
- APPLICABLE HOLE SIZE:
 - 6.5mm +/- 0.4
 - 6.35mm +/- 0.2 HEX



	GLOBAL PART DESCRIPTION	MATERIAL	COLOR
	FT6.5PLUG-PA66HIRHSUV-BK	PA66HIRHSUV	BLACK
	FT6.5PLUG-PA66HIRHS-GY	PA66HIRHS	GREY
	FT6.5PLUG-PA46-BN	PA46	BROWN

Material SEE TABLE COLOR: SEE TABLE	Units	millimeters	The copyright of this drawing is reserved by HellermannTyton. It is issued on condition that it is not reproduced, copied or disclosed to a third party, either wholly or in part, without the consent of HellermannTyton.	Drawn	KVH	4/24/12	Article/Type-No	FT6.5PLUG	Scale	2:1		
	Tolerance defined on each dimension	Approved		SJA	4/24/12	Title	FT6.5 PUSH PIN		Project Number	12-0315		
		HellermannTyton						Drawing-No	PRODUCTION : Phase	Format	AH	
		North America Email: corp@htamericas.com Web: www.hellermann.tyton.com						12-0315-001-CSU		Sheet	1/1	