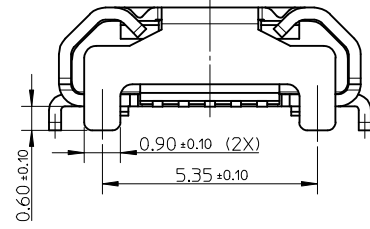
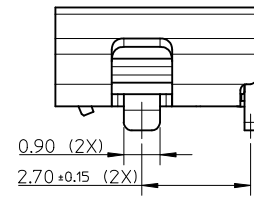
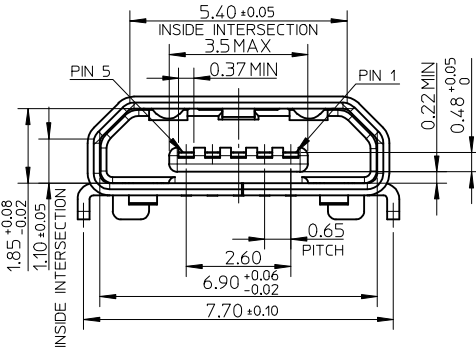
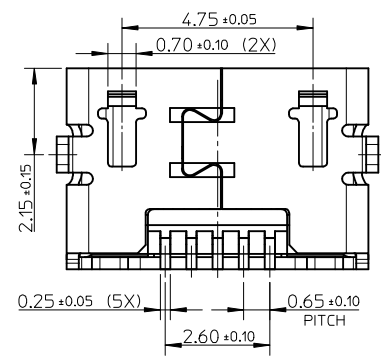


RECOMMENDED P.C.B. PATTERN LAYOUT
GENERAL TOLERANCE: ±0.05



- NOTES:
- MATERIAL:
HOUSING: LCP, BLACK, UL94V-0;
TERMINAL: COPPER ALLOY, THICKNESS: 0.15mm;
SHELL: STAINLESS STEEL, THICKNESS: 0.30mm.
 - PLATING:
TERMINAL:
CONTACT AREA: GOLD FLASH OVER 0.75 MICRON MINIMUM Pd/Ni;
SOLDER TAIL AREA: GOLD FLASH;
UNDER PLATING: NICKEL 2.0 MICRON MINIMUM.
SHELL: 1.27 MICRON MINIMUM NICKEL UNDER PLATING,
2.0 MICRON MINIMUM MATTE TIN PLATING OVER NICKEL.
 - TAIL & NAIL COPLANARITY 0.08mm MAXIMUM.
 - PRODUCT SPECIFICATION: PS-47642-001.
 - PACKAGING SPECIFICATION: PK-105410-001.
 - PRODUCT COMPLIANT TO RoHS DIRECTIVE 2011/65/EU AND ELV 2000/53/EC.

5	GND
4	ID
3	D+
2	D-
1	VBUS
PIN	NAME
PIN ASSIGNMENT	



NEW RELEASE IEC NO: SHZ016-0113 DRWN: XQZHANG 2015/10/14 CHKD: XQZHANG 2015/10/14 APPR: AYIN 2015/11/17	QUALITY SYMBOLS $\nabla_F = 0$ $\nabla_E = 0$ $\nabla_B = 0$	GENERAL TOLERANCES (UNLESS SPECIFIED)		DIMENSION STYLE MM ONLY	SCALE 1:1	DESIGN UNITS METRIC	THIRD ANGLE PROJECTION	
		mm	INCH	DRAWN BY XQZHANG	DATE 2014/12/11	TITLE SALES DRAWING FOR USB MICRO-B, TOP MOUNT TYPE		
		4 PLACES ± --- ± ---		CHECKED BY XQZHANG	DATE 2014/12/11			
		3 PLACES ± --- ± ---		APPROVED BY AYIN	DATE 2015/11/17			
2 PLACES ± 0.15 ± ---		MATERIAL NO. 105410-1001		DOCUMENT NO. SD-105410-101	SHEET NO. 1 OF 1			
1 PLACE ± 0.25 ± ---		DRAFT WHERE APPLICABLE MUST REMAIN WITHIN DIMENSIONS		THIS DRAWING CONTAINS INFORMATION THAT IS PROPRIETARY TO MOLEX INCORPORATED AND SHOULD NOT BE USED WITHOUT WRITTEN PERMISSION				
0 PLACE ± --- ± ---								