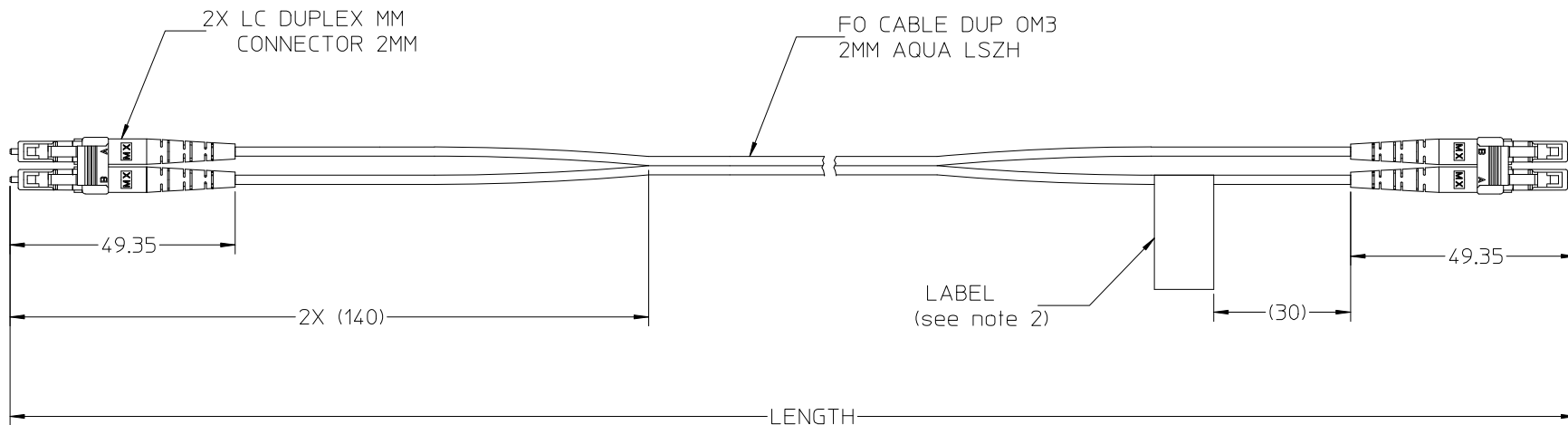


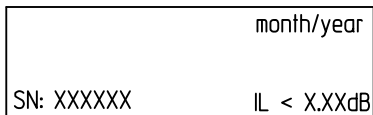
10 9 8 7 6 5 4 3 2 1



885306077	LCD-LCD 50/125 OM3 DXJP 2MM 300M LSZH-AQ	300000(+3000/-0)
885306076	LCD-LCD 50/125 OM3 DXJP 2MM 250M LSZH-AQ	250000(+2500/-0)
885306075	LCD-LCD 50/125 OM3 DXJP 2MM 200M LSZH-AQ	200000(+2000/-0)
885306074	LCD-LCD 50/125 OM3 DXJP 2MM 150M LSZH-AQ	150000(+1500/-0)
885306073	LCD-LCD 50/125 OM3 DXJP 2MM 100M LSZH-AQ	100000(+1000/-0)
885306072	LCD-LCD 50/125 OM3 DXJP 2MM 75M LSZH-AQ	75000(+530/-0)
885306071	LCD-LCD 50/125 OM3 DXJP 2MM 50M LSZH-AQ	50000(+530/-0)
885306070	LCD-LCD 50/125 OM3 DXJP 2MM 40M LSZH-AQ	40000(+430/-0)
885306069	LCD-LCD 50/125 OM3 DXJP 2MM 25M LSZH-AQ	25000(+230/-0)
885306068	LCD-LCD 50/125 OM3 DXJP 2MM 20M LSZH-AQ	20000(+230/-0)
885306067	LCD-LCD 50/125 OM3 DXJP 2MM 10M LSZH-AQ	10000(+180/-0)
885306066	LCD-LCD 50/125 OM3 DXJP 2MM 7M LSZH-AQ	7000(+110/-0)
885306065	LCD-LCD 50/125 OM3 DXJP 2MM 2M LSZH-AQ	2000(+110/-0)
885306064	LCD-LCD 50/125 OM3 DXJP 2MM 1M LSZH-AQ	1000(+110/-0)
885306063	LCD-LCD 50/125 OM3 DXJP 2MM 30M LSZH-AQ	30000(+230/-0)
885306062	LCD-LCD 50/125 OM3 DXJP 2MM 15M LSZH-AQ	15000(+180/-0)
885306061	LCD-LCD 50/125 OM3 DXJP 2MM 5M LSZH-AQ	5000(+110/-0)
885306060	LCD-LCD 50/125 OM3 DXJP 2MM 3M LSZH-AQ	3000(+110/-0)
MX P/N DESCRIPTION		LENGTH

- NOTES:
 1- DUST CAPS ARE INCLUDED, BUT NOT SHOWN
 2- LABEL ON ASSEMBLY AS SHOWN BELOW

LABEL (SIZE: 13X50)



- 3- PER CHANNEL @ 850nm
 IL <= 0.35dB (L < 30M)
 IL <= 0.35 + 0.003 * L (L >= 30M) dB

4- THE PRODUCT IS EU 2002/95/EC COMPLIANT

ENTER DESCRIPTION EC NO: DG2011-0465 DRWN: XPCHEM CHKD: APPR: JOWANG 2011/05/19 2011/05/19	QUALITY SYMBOLS 	GENERAL TOLERANCES (UNLESS SPECIFIED)		DIMENSION STYLE MM ONLY	SCALE ---	DESIGN UNITS METRIC	THIRD ANGLE PROJECTION		
		4 PLACES ± --- ± --- 3 PLACES ± --- ± --- 2 PLACES ± --- ± --- 1 PLACE ± --- ± ---	mm INCH ± --- ± --- ± --- ± --- ± --- ± --- ± --- ± ---	DRAWN BY XPCHEM	DATE 2011/05/19	TITLE LCD-LCD 50/125 OM3 DXJP 2MM LSZH AQ			
		ANGULAR ± --- °		APPROVED BY JOWANG	DATE 2011/05/19	MOLEX INCORPORATED			
		DRAFT WHERE APPLICABLE MUST REMAIN WITHIN DIMENSIONS		MATERIAL NO. SEE TABLE	DOCUMENT NO. SD-88530-114	SHEET NO. 1 OF 1			

9 8 7 6 5 4 3 2 1