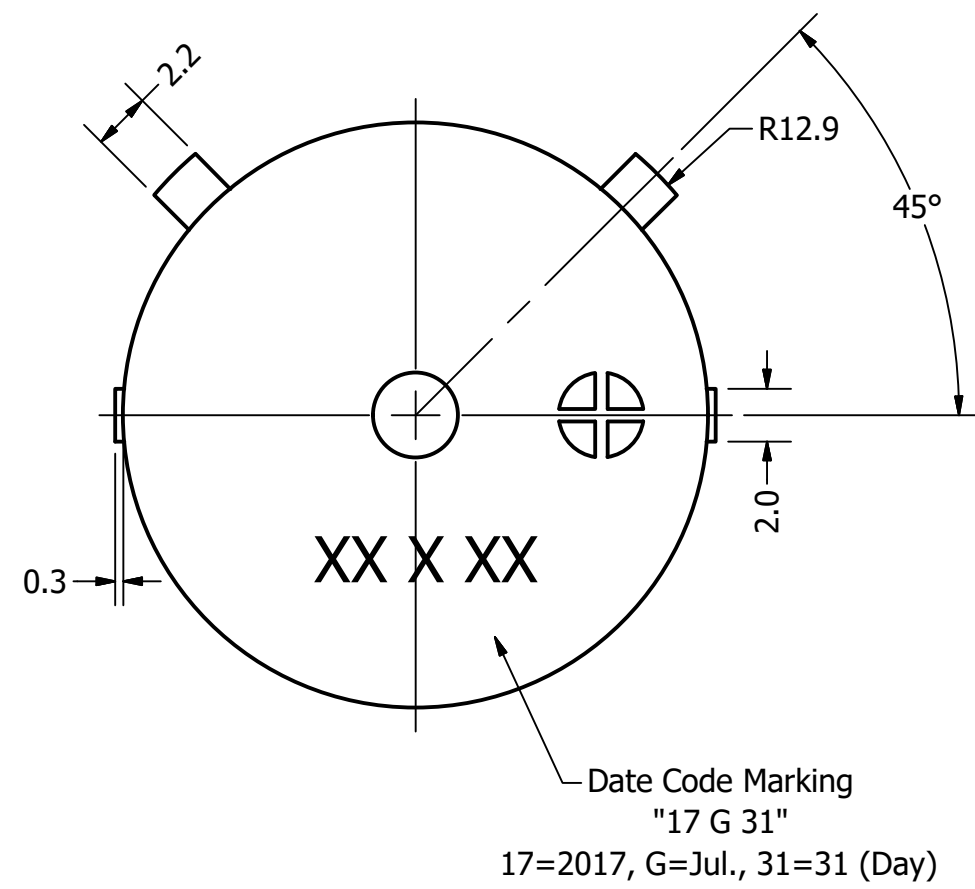
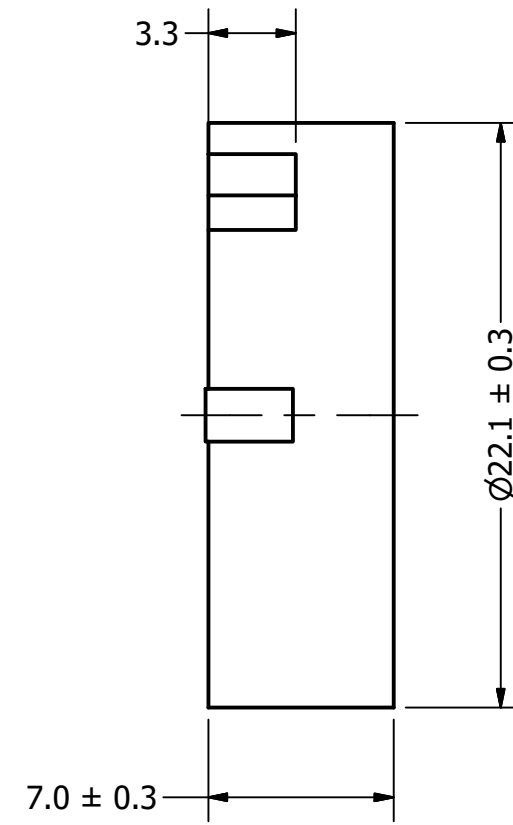


Part Number:	TP224012-1	DRAWN	CJ	7/31/2017
	Description:	Piezo Transducer	CHECKED	P.D.
		APPROVED	C.E.	8/9/2017
This document contains data proprietary to DB Unlimited. Any use or reproduction, in any form, without prior written permission of DB Unlimited is prohibited. All terms and conditions can be found at www.dbunlimitedco.com				

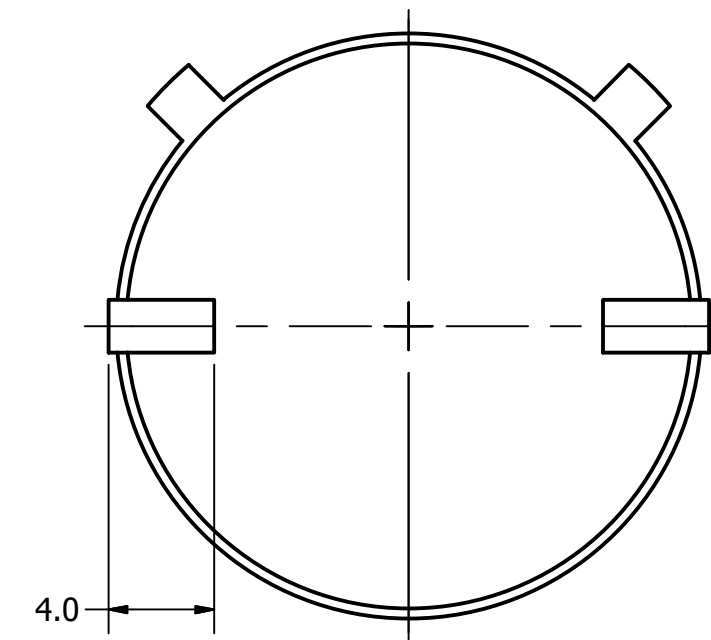
Top View



Side View



Bottom View



Items	Specifications	Conditions	REVISION HISTORY			
Min. Sound Pressure Level	90	dBA (@ 10cm)	REV	DESCRIPTION	DATE	APPROVED
Resonant Frequency	4,000	Hz		Released from Engineering	10/21/2013	J.S.
Rated Voltage	12	Vp-p	1	Updated template, New location and day added to date code, changed capacitance	8/9/2017	C.E.
Voltage Range	1 ~ 30	Vp-p	NOTES			
Capacitance	19,000 ± 30%	pF	1) All dimensions are in mm unless otherwise noted			
Max. Rated Current	7	mA	2) All tolerances are ± 0.5 mm unless otherwise noted			
Storage Temperature	-20 ~ +75	°C	3) All parts meet RoHS			
Operating Temperature	-20 ~ +70	°C	4) Subject to change or redrawn without notice			
Connection Method	Surface Mount Pads					
Mount Type	Surface Mount					
Housing Material	PPS					
Weight	2.8	g				