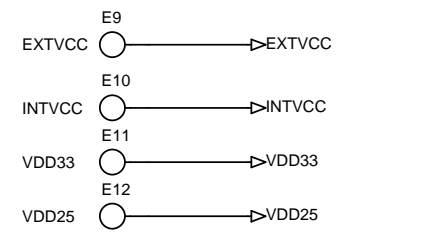
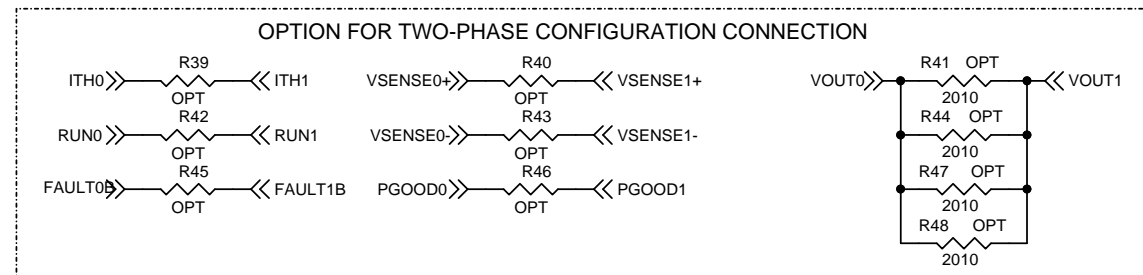
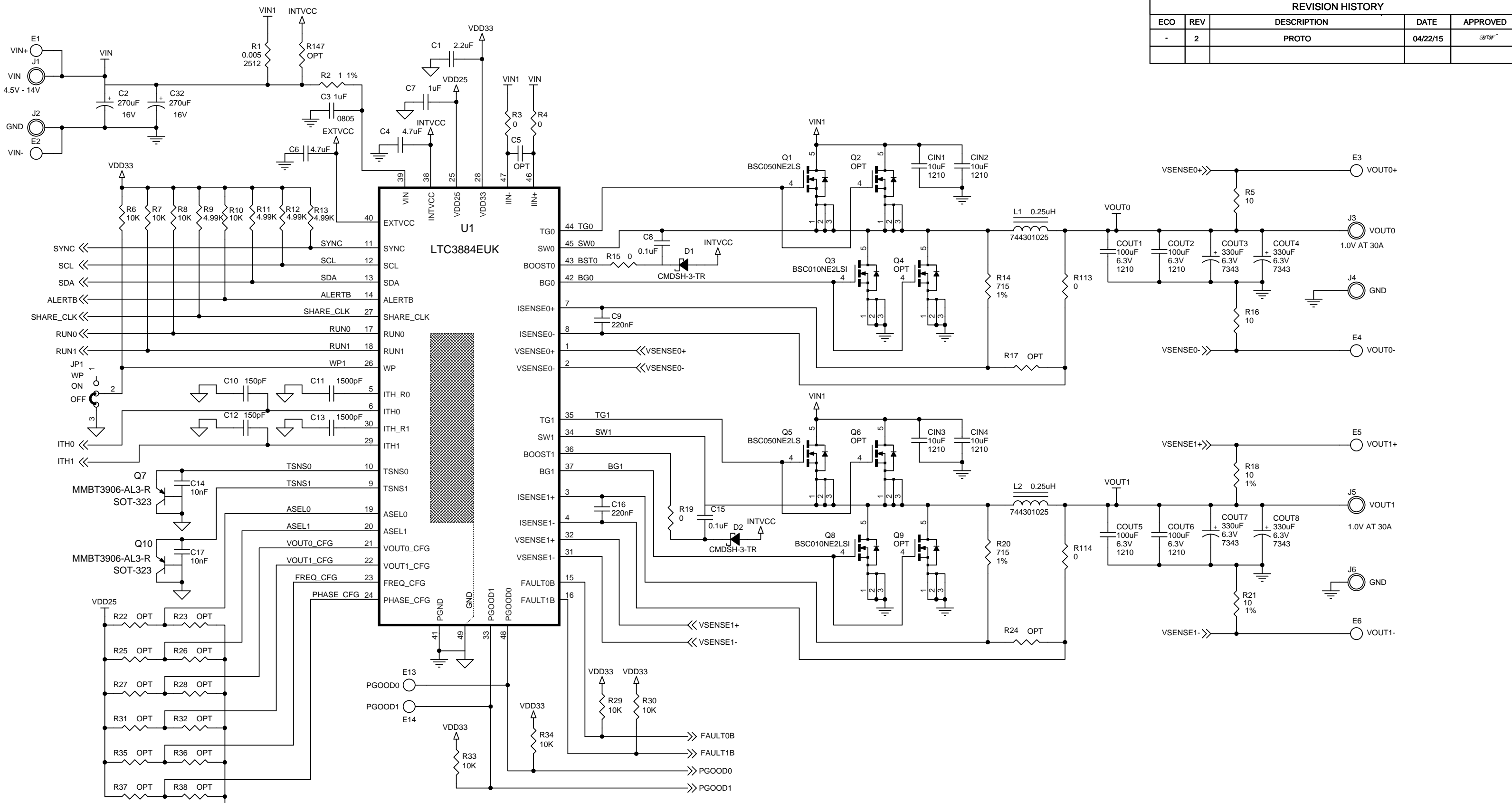


REVISION HISTORY				
ECO	REV	DESCRIPTION	DATE	APPROVED
-	2	PROTO	04/22/15	<i>AW</i>



CUSTOMER NOTICE
 LINEAR TECHNOLOGY HAS MADE A BEST EFFORT TO DESIGN A CIRCUIT THAT MEETS CUSTOMER-SUPPLIED SPECIFICATIONS; HOWEVER, IT REMAINS THE CUSTOMER'S RESPONSIBILITY TO VERIFY PROPER AND RELIABLE OPERATION IN THE ACTUAL APPLICATION. COMPONENT SUBSTITUTION AND PRINTED CIRCUIT BOARD LAYOUT MAY SIGNIFICANTLY AFFECT CIRCUIT PERFORMANCE OR RELIABILITY. CONTACT LINEAR TECHNOLOGY APPLICATIONS ENGINEERING FOR ASSISTANCE.

THIS CIRCUIT IS PROPRIETARY TO LINEAR TECHNOLOGY AND SUPPLIED FOR USE WITH LINEAR TECHNOLOGY PARTS.

APPROVALS	
PCB DES.	<i>AW</i>
APP ENG.	<i>AW</i>
SCALE = NONE	

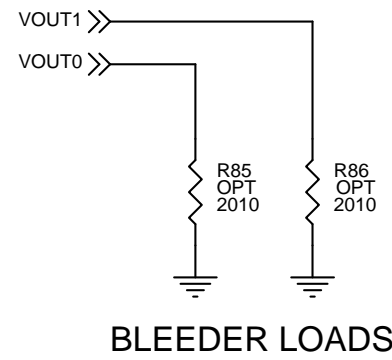
1630 McCarthy Blvd.
 Milpitas, CA 95035
 Phone: (408)432-1900 www.linear.com
 Fax: (408)434-0507
 LTC Confidential-For Customer Use Only

LINEAR TECHNOLOGY

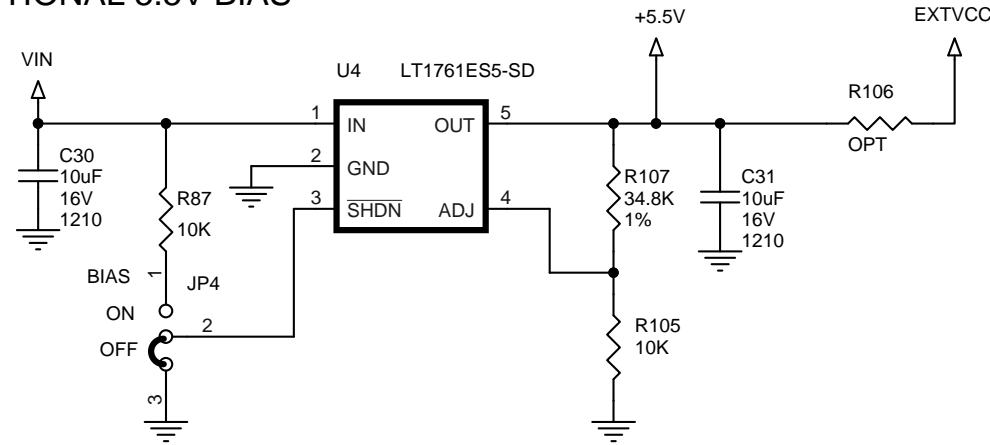
TITLE: SCHEMATIC
 HIGH EFFICIENCY, DUAL-OUTPUT SYNCHRONOUS BUCK CONVERTER WITH POWER SYSTEM MANAGEMENT

SIZE	IC NO. LTC3884EUK	REV.
N/A	DEMO CIRCUIT 2165A	2

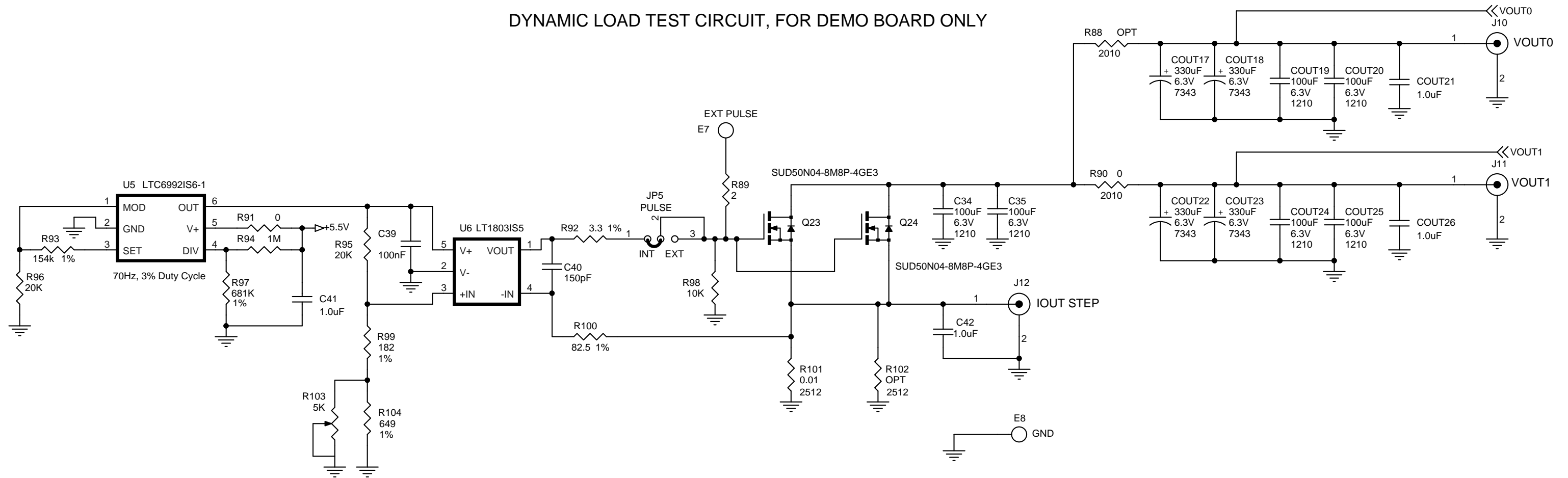
DATE: Thursday, December 03, 2015 SHEET 1 OF 3



OPTIONAL 5.5V BIAS



DYNAMIC LOAD TEST CIRCUIT, FOR DEMO BOARD ONLY



CUSTOMER NOTICE

LINEAR TECHNOLOGY HAS MADE A BEST EFFORT TO DESIGN A CIRCUIT THAT MEETS CUSTOMER-SUPPLIED SPECIFICATIONS; HOWEVER, IT REMAINS THE CUSTOMER'S RESPONSIBILITY TO VERIFY PROPER AND RELIABLE OPERATION IN THE ACTUAL APPLICATION. COMPONENT SUBSTITUTION AND PRINTED CIRCUIT BOARD LAYOUT MAY SIGNIFICANTLY AFFECT CIRCUIT PERFORMANCE OR RELIABILITY. CONTACT LINEAR TECHNOLOGY APPLICATIONS ENGINEERING FOR ASSISTANCE.

THIS CIRCUIT IS PROPRIETARY TO LINEAR TECHNOLOGY AND SUPPLIED FOR USE WITH LINEAR TECHNOLOGY PARTS.

APPROVALS

PCB DES. *MCS*

APP ENG. *SNW*

SCALE = NONE



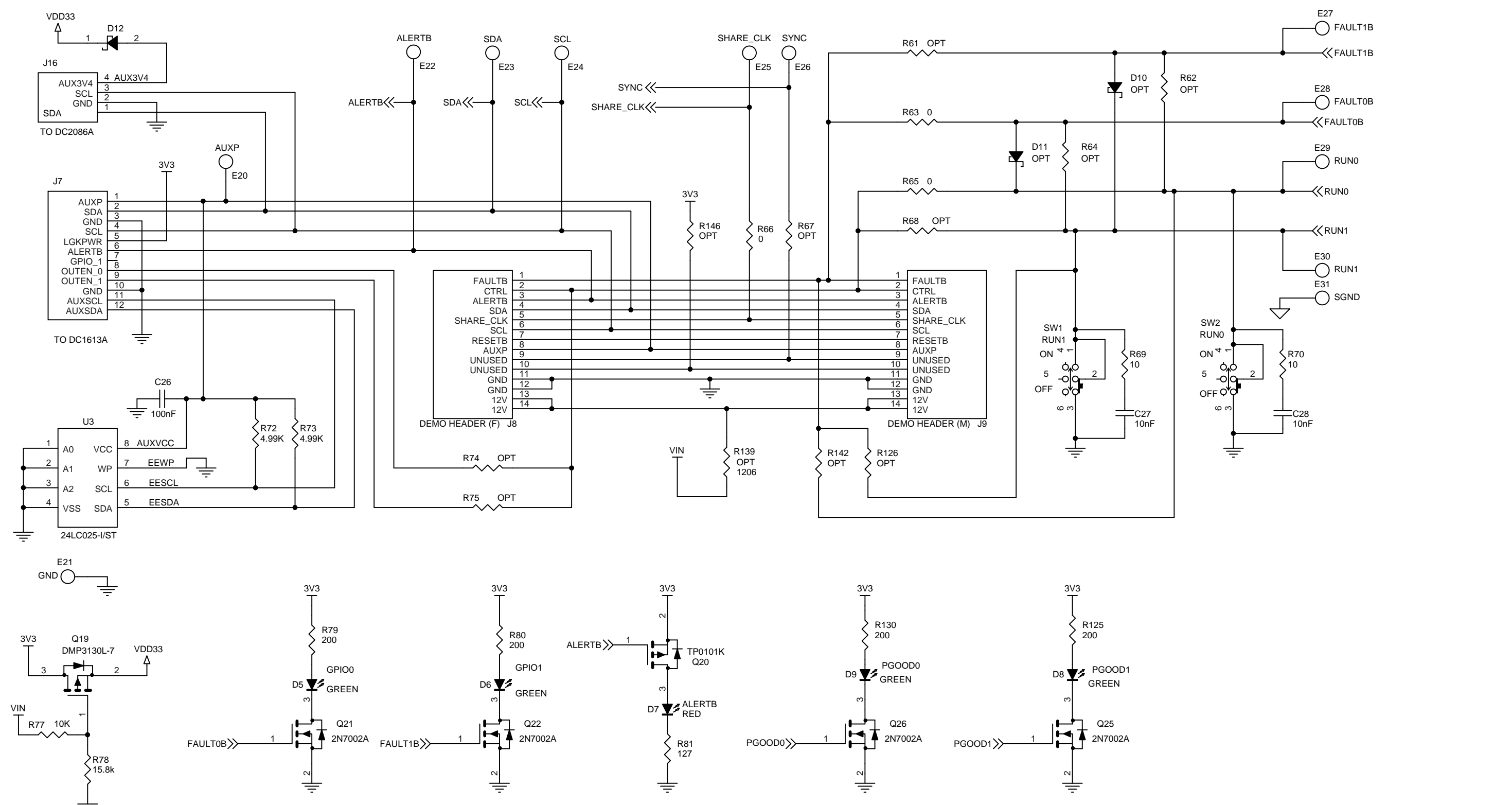
1630 McCarthy Blvd.
Milpitas, CA 95035
Phone: (408)432-1900 www.linear.com
Fax: (408)434-0507
LTC Confidential-For Customer Use Only

TITLE: SCHEMATIC
HIGH EFFICIENCY, DUAL-OUTPUT SYNCHRONOUS BUCK CONVERTER WITH POWER SYSTEM MANAGEMENT

SIZE N/A IC NO. LTC3884EUK REV. 2
DEMO CIRCUIT 2165A

DATE: Friday, September 04, 2015 SHEET 2 OF 3

ALL PARTS ON THIS PAGE ARE FOR DEMO BOARD ONLY, NOT NEEDED IN CUSTOMER DESIGN



<p>CUSTOMER NOTICE</p> <p>LINEAR TECHNOLOGY HAS MADE A BEST EFFORT TO DESIGN A CIRCUIT THAT MEETS CUSTOMER-SUPPLIED SPECIFICATIONS; HOWEVER, IT REMAINS THE CUSTOMER'S RESPONSIBILITY TO VERIFY PROPER AND RELIABLE OPERATION IN THE ACTUAL APPLICATION. COMPONENT SUBSTITUTION AND PRINTED CIRCUIT BOARD LAYOUT MAY SIGNIFICANTLY AFFECT CIRCUIT PERFORMANCE OR RELIABILITY. CONTACT LINEAR TECHNOLOGY APPLICATIONS ENGINEERING FOR ASSISTANCE.</p>		<p>APPROVALS</p> <p>PCB DES. <i>MS</i></p> <p>APP ENG. <i>SW</i></p>		<p>1630 McCarthy Blvd. Milpitas, CA 95035 Phone: (408)432-1900 www.linear.com Fax: (408)434-0507 LTC Confidential-For Customer Use Only</p>	
<p>THIS CIRCUIT IS PROPRIETARY TO LINEAR TECHNOLOGY AND SUPPLIED FOR USE WITH LINEAR TECHNOLOGY PARTS.</p>		<p>SCALE = NONE</p>		<p>TITLE: SCHEMATIC HIGH EFFICIENCY, DUAL-OUTPUT SYNCHRONOUS BUCK CONVERTER WITH POWER SYSTEM MANAGEMENT</p>	
<p>DATE: Tuesday, October 06, 2015</p>		<p>SIZE N/A</p>		<p>IC NO. LTC3884EUK DEMO CIRCUIT 2165A</p>	
<p>SHEET 3 OF 3</p>		<p>REV. 2</p>		<p>DATE: Tuesday, October 06, 2015</p>	