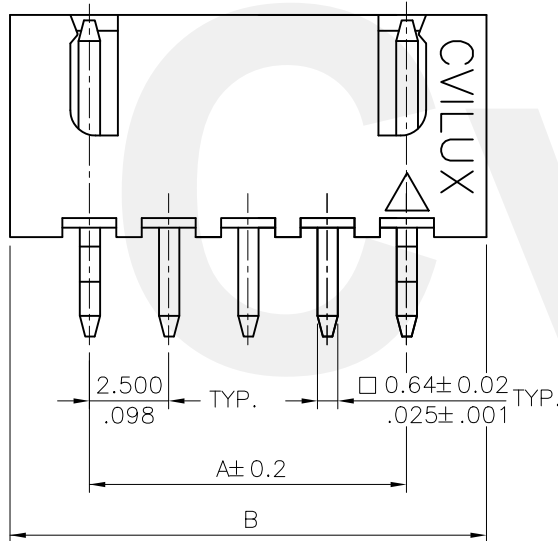
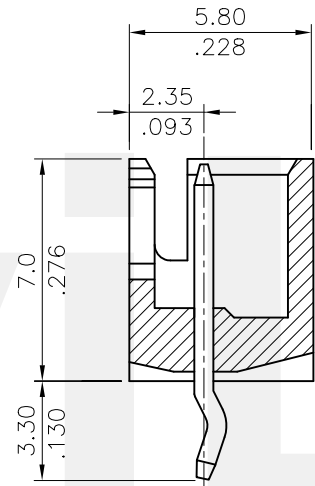


2P



A = 2.50 x No. of Spaces
 B = A + 5.0
 C = A + 3.5

* Available in 2 through 15 circuits

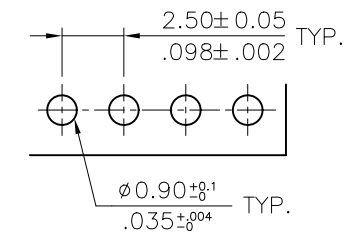
Note:

1. Material:
 - * Insulator: High temperature plastic UL 94V-0 Color Nature(Halogen-Free)
 - * Contact: Brass
2. For Lead Free Wave flow Process

Ordering Code:

CI22 ** P 1 V K0 - NH
 ① ② ③ ④ ⑤ ⑥ ⑦

- ① Series No.
- ② No. of Circuits
- ③ Contact type: P= Pin header
- ④ Plating option:
 1= 3.05μm(120μ") Min. Tin over
 0.76μm(30μ") Nickel(Matte Tin Finish)
- ⑤ Type: V= Straight
- ⑥ Other Option: K0= With Pin Kinked
- ⑦ NH= For Lead Free Wave flow Process and Halogen-Free



Recommended P.C. Board Layout

Halogen-Free
 Lead Free Process
 RoHS Compliant

						DATE	UNIT: mm / inch	TITLE: 2.50MM(.098") STRAIGHT PIN HEADERS			
	Ken	10/4-16'	ECNT116224		DRAWN BY: Ken	10/21-16'	TOLERANCE UNLESS OTHERWISE SPECIFIED	MATERIAL:		DRAWING NO. CI2249SD	
	Enya	3/11-13'	ECN13056-0/ECR13007-1		ENGINEER: Sun	10/21-16'	.X ± 0.30/012 X: ± r	FINISH:		PART NO. CI22**P1VK0-NH	
	Una	8/10-11'	ECN11176		CHECKED BY: Eisley	10/24-16'	.XX ± 0.20/008 X: ±			SCALE 4 / 1	SHEET 1 OF 1
SYM	NAME	DATE	REVISIONS		APPROVED BY: Eisley	10/24-16'	.XXX ± 0.10/004 XX: ±				