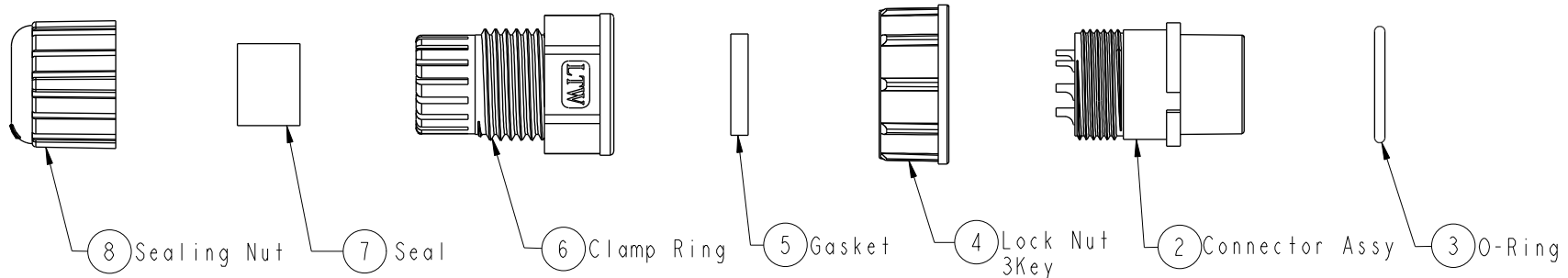


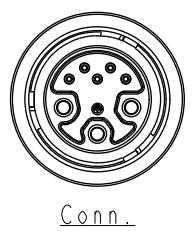
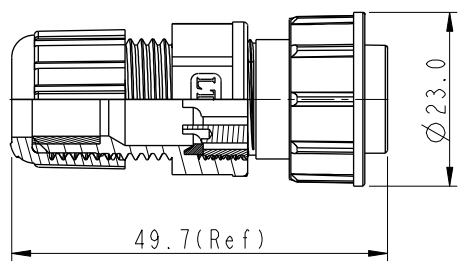
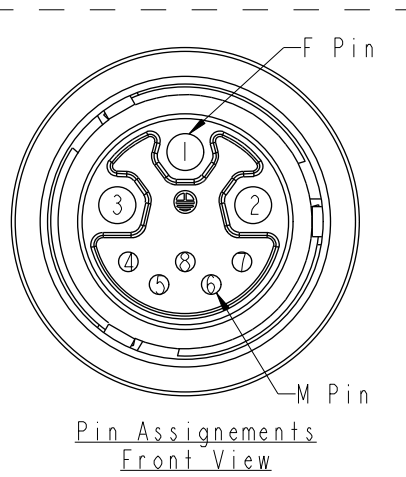
THIS DOCUMENT IS SUBJECT TO CHANGE WITHOUT NOTICE. IT IS CONFIDENTIAL AND A PROPERTY OF AMPHENOL LTW. DISCLOSURE TO THIRD PARTY HAS TO BE AUTHORIZED BY AMPHENOL LTW.

REV.	ECN NO.	DATE	SIGN	DESCRIPTION
A	Initial Release	2011/07/26	Kevin Wang	
B	LEN1350051	2013/04/24	Ruru	Modify Cable OD Max



**ALTW**  
CONFIDENTIAL  
2013-04-24  
R&D DEPT.

**ALTW**  
DCC. DEPT.  
CONFIDENTIAL  
2013.05.07  
ISSUED



- Note:
- \*  $\varnothing$  Important Dimension.
  - \* Waterproof Rate: IP67
  - \* Connector: Nylon+GF, Black
  - \* Pin: Copper Alloy, Gold Plated
  - \* O-Ring: EPDM, Black
  - \* Lock Nut: Nylon+GF, Black
  - \* Gasket: Silicone, Black
  - \* Clamp Ring: Nylon, Black
  - \* Seal: EPDM, Black
  - \* Sealing Nut: Nylon, Black
  - \*  $\triangle B$  Cable OD Max :  $\varnothing 7.6 \sim \varnothing 9.6\text{mm}$

UNIT:mm  TOLERANCE .X ±0.25 .XX ±0.1 .XXX ±0.05 ANGLES ±1°	TITLE HyBrid Assy., Middle, 3Key 3FPin(10A)+5MPin(2A)		<h1>Amphenol LTW</h1> <h2>安費諾亮泰企業股份有限公司</h2>		ITEM NO. CBU-08BFDA-TL7001	DRAWN BY Ruru	DATE 2013-05-06
	SCALE 1:1	SIZE A4	SHEET 1 OF 1	DWG NO. CBU-08BFDA-TL7001	CHECKED BY Rita	DATE 2013-05-06	
	REV. B	WC-REV. B.1	Inspection item	CUSTOMER ALTW	APPROVED BY Maslow	DATE 2013-05-06	