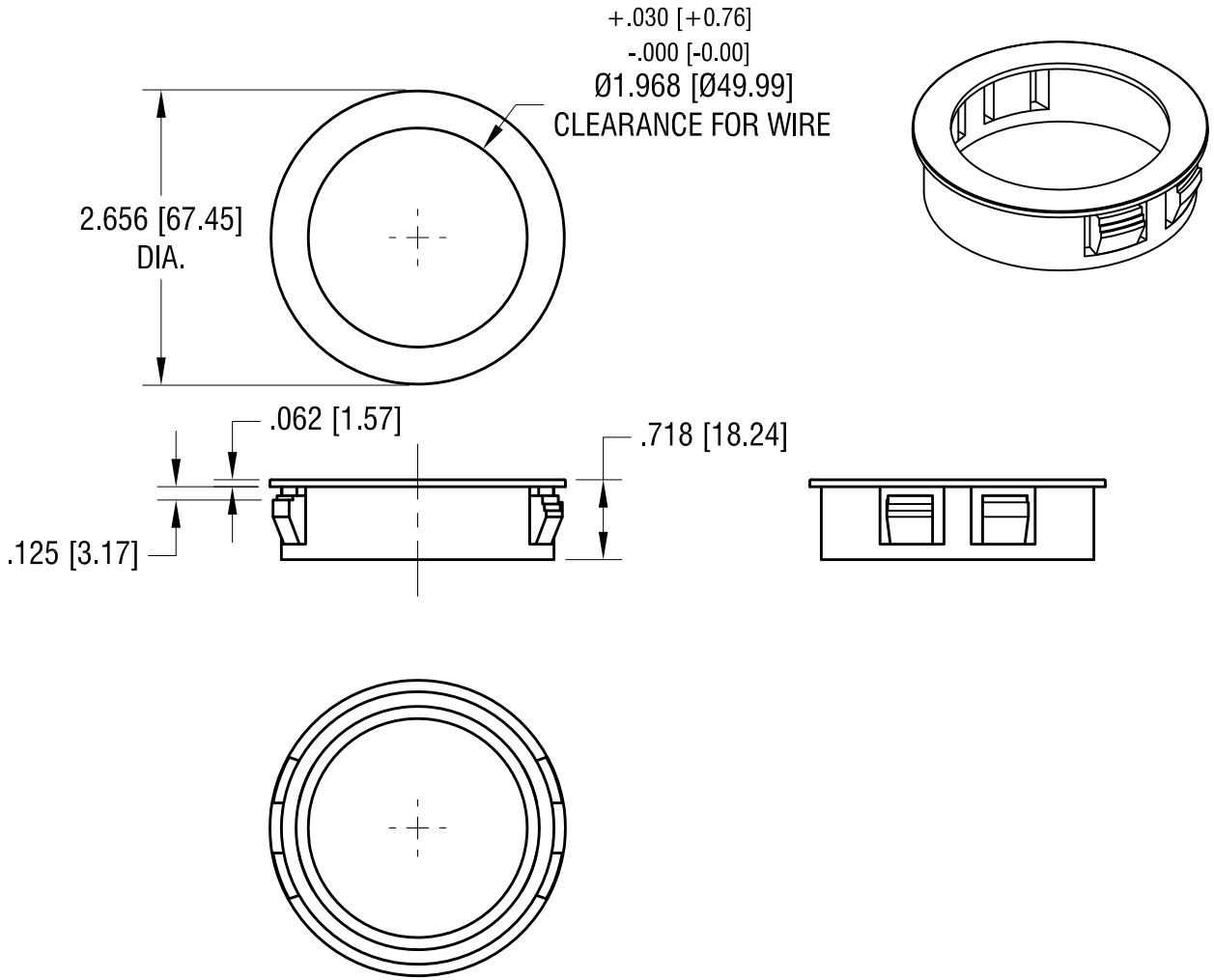


THIS DOCUMENT IS THE PROPERTY OF
KEYSTONE ELECTRONICS CORP. AND
SHALL NOT BE REPRODUCED, DISTRIBUTED
OR USED AS A BASIS FOR MANUFACTURE
WITHOUT PRIOR WRITTEN PERMISSION
FROM KEYSTONE ELECTRONICS CORP.



NOTE:
1. MOUNTING HOLE SIZE 2.500 [63.5]

KEYSTONE ELECTRONICS CORP.			
www.keyelco.com • ASTORIA, N.Y. 11105-2017 • Tel (718) 956-8900			
PART NAME			
NYLON INSULATING BUSHING			
MATERIAL			
NYLON 6/6, BLACK UL 94V-2			
FINISH		DRN BY	DATE
-		BOONE	11.22.06
		APP'D	SCALE
		LN	.6X
TOLERANCES		INCH	[MM]
DECIMAL		± .015	[± 0.38]
ANGULAR		± 1°	
UNLESS OTHERWISE SPECIFIED			
		CODE	DWG NO.
		C	8486

4.21.11	CHANGE AS PER ECR 11-056	A
DATE	DESCRIPTION	REV.