



RJ45 connection: 30 mm, Metal matt, sand gray

product brand name	SIRIUS ACT
product designation	RJ45 connection
design of the product	RJ-45 Cat. 5e
product type designation	3SU1
product line	Metal, matt, flat, 30 mm
Actuator	
outer diameter of the actuating element	38 mm
General technical data	
protection class IP	IP65
Ambient conditions	
<ul style="list-style-type: none"> ambient temperature during operation ambient temperature during storage 	<p>-25 ... +70 °C</p> <p>-40 ... +80 °C</p>
Installation/ mounting/ dimensions	
shape of the installation opening	round
mounting diameter	30.5 mm
mounting height	5 mm
installation width	38 mm
installation depth	35.25 mm
Accessories	
material of accessory	Metal
color of accessory	sand gray
Certificates/ approvals	
General Product Approval	Declaration of Conformity



EG-Konf.

[Miscellaneous](#)



EG-Konf.

[Miscellaneous](#)

Test Certificates

Marine / Shipping

[Type Test Certificates/Test Report](#)



ABS



LRS



PRS



RINA



RMRS

[Confirmation](#)

Further information

Information- and Downloadcenter (Catalogs, Brochures,...)

<https://www.siemens.com/ic10>

Industry Mall (Online ordering system)

<https://mall.industry.siemens.com/mall/en/en/Catalog/product?mlfb=3SU1960-0GB80-0AA0>

Cax online generator

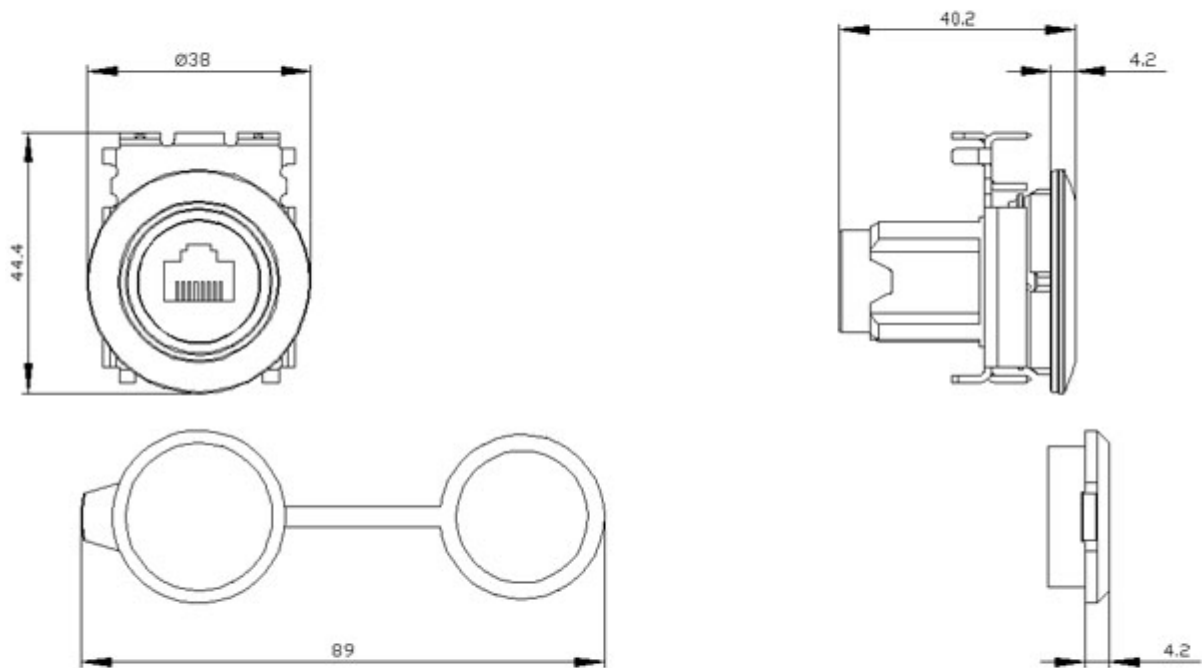
<http://support.automation.siemens.com/WW/CAXorder/default.aspx?lang=en&mlfb=3SU1960-0GB80-0AA0>

Service&Support (Manuals, Certificates, Characteristics, FAQs,...)

<https://support.industry.siemens.com/cs/ww/en/ps/3SU1960-0GB80-0AA0>

Image database (product images, 2D dimension drawings, 3D models, device circuit diagrams, EPLAN macros, ...)

http://www.automation.siemens.com/bilddb/cax_de.aspx?mlfb=3SU1960-0GB80-0AA0&lang=en



last modified:

8/31/2020

