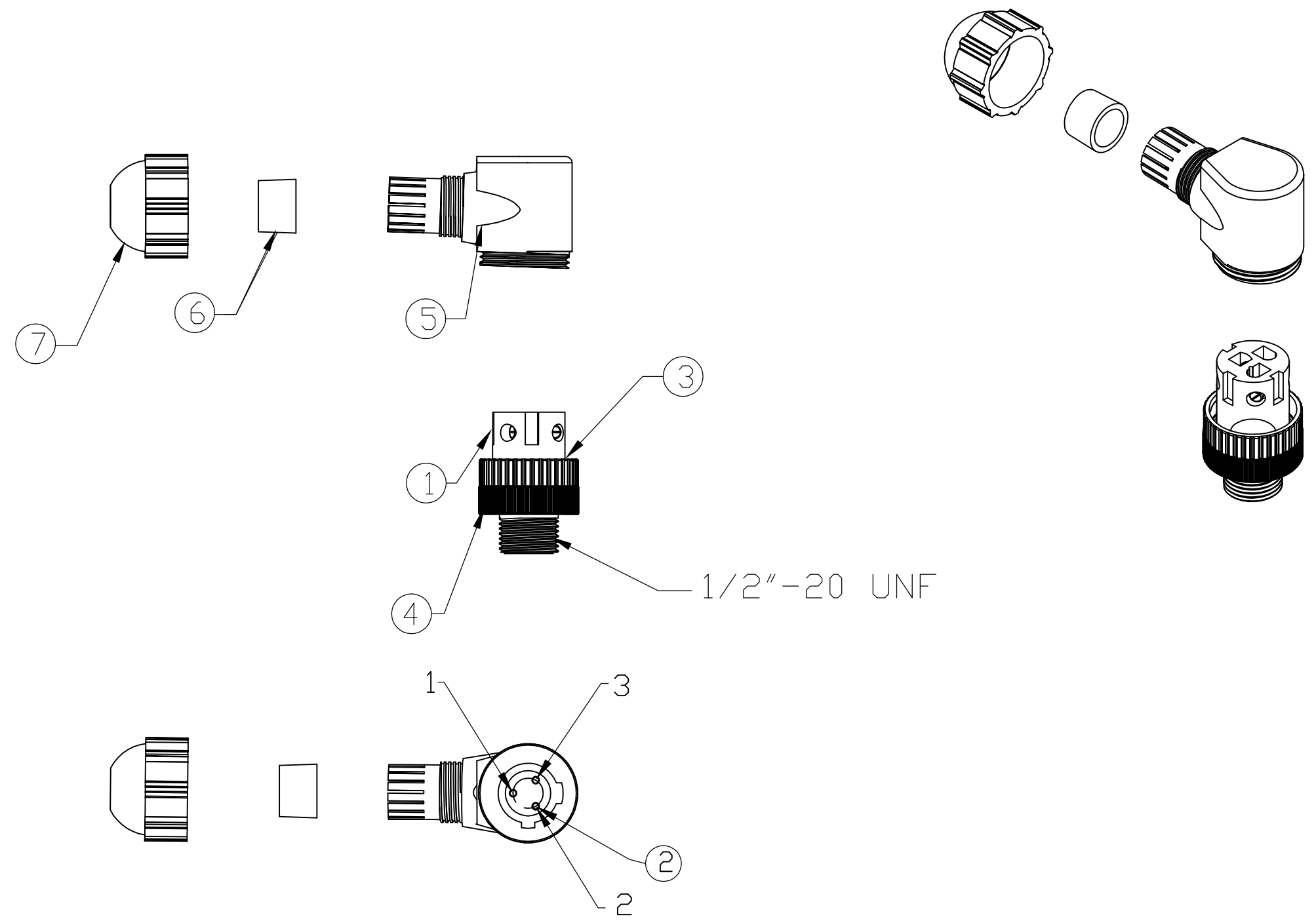
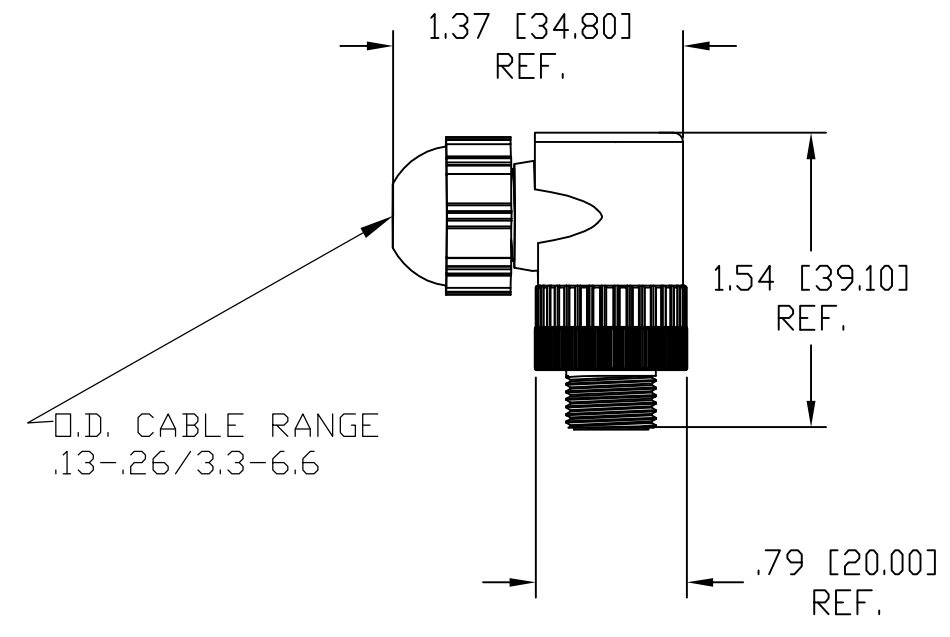
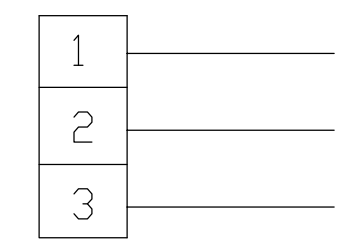


MATERIAL NUMBER	ENGINEERING NUMBER
1200750019	7A3007-31



MALE FACE VIEW



WIRING CHART

VOLTAGE RATING	250VAC/DC
AMPERAGE RATING	4 AMPS
PROTECTION	IP67
OPERATING TEMPERATURE	-40°C TO 185°C

ITEM		COMPONENT	MATERIAL	FINISH
1	1	INSERT	NYLON	BLACK
2	3	CONTACTS	COPPER ALLOY	GOLD PLATED
3	1	O-RING	NITRILE	BLACK
4	1	COUPLING NUT	BRASS	NICKETL PLATED
5	1	MOLDED BODY	NYLON	BLACK
6	1	GROMMET	NITRILE	BLACK
7	1	CORD GRIP BODY	NYLON	BLACK

RELEASE EC NO: WEU2010-0045 DRWN: TWOLDEGE 8/20/09 CH'KD: BWOODMAN APPR: JFMURPHY 2009/08/21	DESCRIPTION A	QUALITY SYMBOL	GENERAL TOLERANCES (UNLESS SPECIFIED)		DIMENSION STYLE	SCALE	DESIGN UNITS	THIRD ANGLE PROJECTION																																					
		$\nabla=0$ $\sphericalangle=0$	<table border="1"> <tr> <td></td> <td>mm</td> <td>INCH</td> </tr> <tr> <td>4 PLACES</td> <td>±----</td> <td>±----</td> </tr> <tr> <td>3 PLACES</td> <td>±----</td> <td>±----</td> </tr> <tr> <td>2 PLACES</td> <td>±----</td> <td>±.01</td> </tr> <tr> <td>1 PLACE</td> <td>±0.3</td> <td>±----</td> </tr> </table>		mm	INCH	4 PLACES	±----	±----	3 PLACES	±----	±----	2 PLACES	±----	±.01	1 PLACE	±0.3	±----	<table border="1"> <tr> <td>mm</td> <td>INCH</td> </tr> <tr> <td>±----</td> <td>±----</td> </tr> <tr> <td>±----</td> <td>±----</td> </tr> <tr> <td>±.01</td> <td>±----</td> </tr> <tr> <td>±0.3</td> <td>±----</td> </tr> </table>	mm	INCH	±----	±----	±----	±----	±.01	±----	±0.3	±----	<table border="1"> <tr> <td>DRAWN BY</td> <td>DATE</td> </tr> <tr> <td>TWOLDEGE</td> <td>2009/08/20</td> </tr> <tr> <td>CHECKED BY</td> <td>DATE</td> </tr> <tr> <td>BWOODMAN</td> <td>2009/08/20</td> </tr> <tr> <td>APPROVED BY</td> <td>DATE</td> </tr> <tr> <td>-----</td> <td>-----</td> </tr> </table>	DRAWN BY	DATE	TWOLDEGE	2009/08/20	CHECKED BY	DATE	BWOODMAN	2009/08/20	APPROVED BY	DATE	-----	-----	TITLE	MIC 3P MA DK ATTACH 90D .13-.26 O.D. CABLE RANGE PG7 CABLE FITTING	
			mm	INCH																																									
		4 PLACES	±----	±----																																									
3 PLACES	±----	±----																																											
2 PLACES	±----	±.01																																											
1 PLACE	±0.3	±----																																											
mm	INCH																																												
±----	±----																																												
±----	±----																																												
±.01	±----																																												
±0.3	±----																																												
DRAWN BY	DATE																																												
TWOLDEGE	2009/08/20																																												
CHECKED BY	DATE																																												
BWOODMAN	2009/08/20																																												
APPROVED BY	DATE																																												
-----	-----																																												
DRAFT WHERE APPLICABLE MUST REMAIN WITHIN DIMENSIONS					MATERIAL NO.	MOLEX INCORPORATED		SHEET NO.																																					
					1200750019	SD-120075-006		1 OF 1																																					
					SIZE C	THIS DRAWING CONTAINS INFORMATION THAT IS PROPRIETARY TO MOLEX INCORPORATED AND SHOULD NOT BE USED WITHOUT WRITTEN PERMISSION																																							