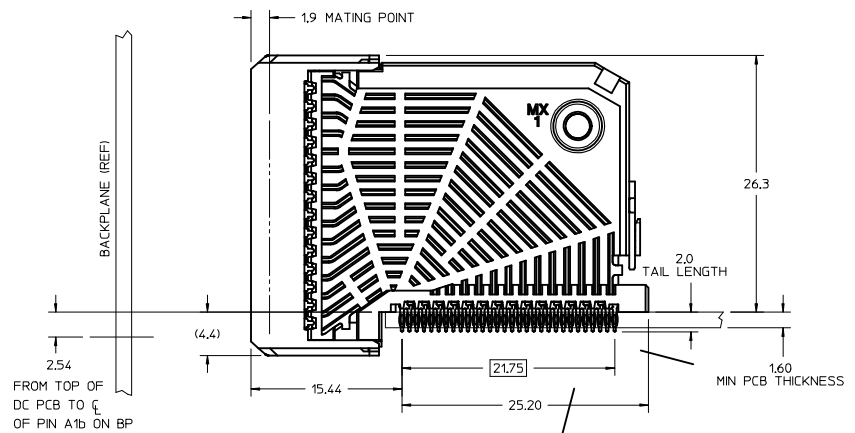
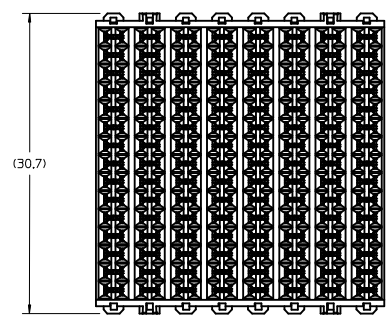
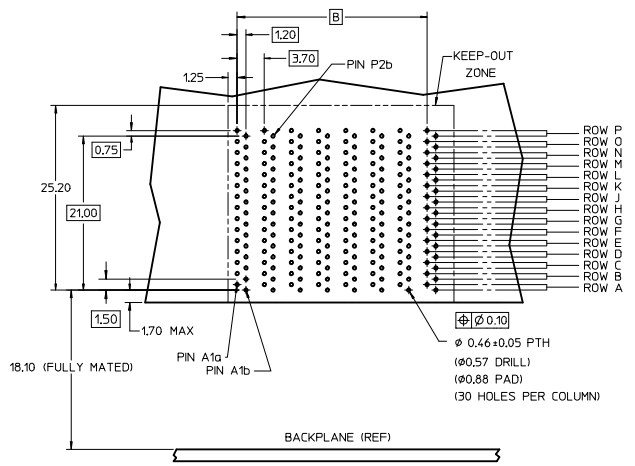
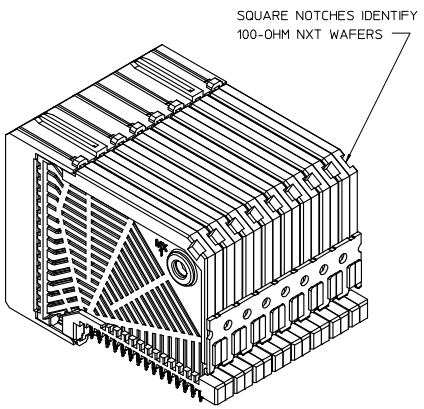
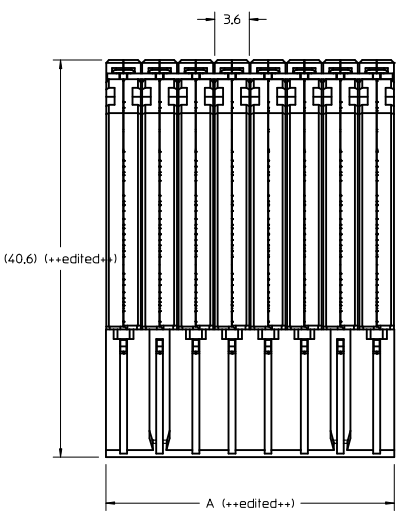


MATERIAL NUMBER	# OF COLUMNS	DIM. 'A' MAX	DIM. 'B'
171910-1008	8	29.60	25.90
171910-1009	9	33.30	29.60
171910-1010	10	37.00	33.30



171910-***0****

MODULE TYPE -- TAIL PLATING
 UNGUIDED -- TIN ONLY = 1

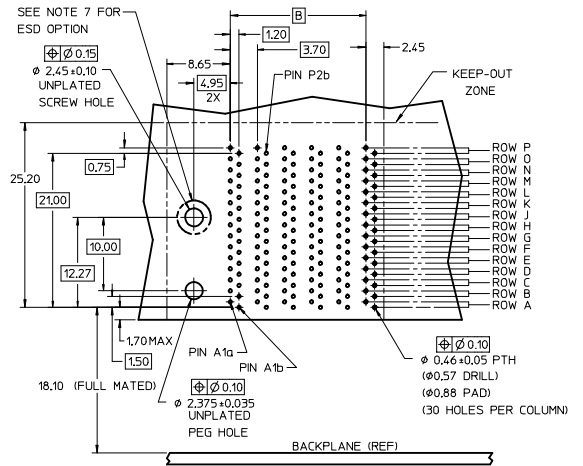
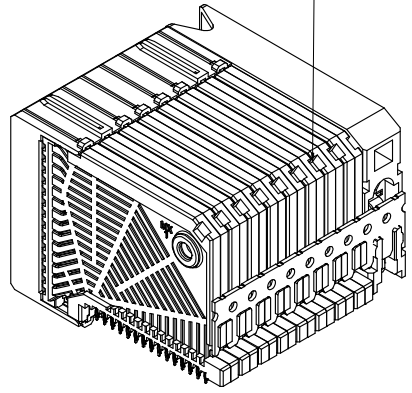
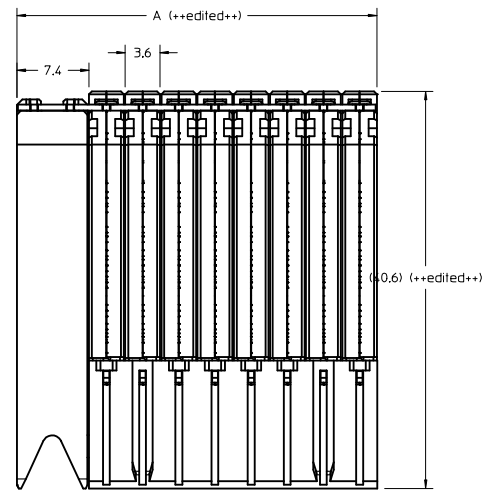
POLARIZATION KEY ORIENTATION
 0 = NO KEY

OF COLUMNS
 08 = 8 COL
 09 = 9 COL
 10 = 10 COL

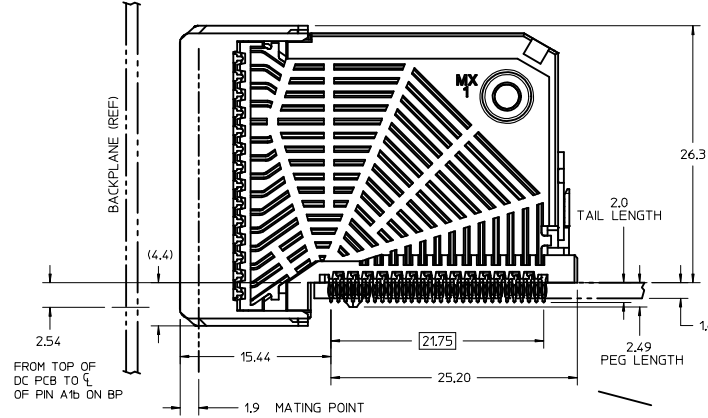
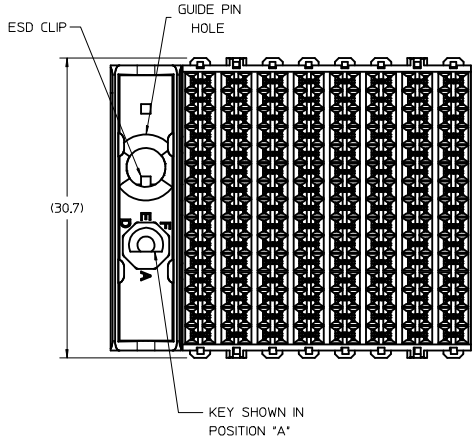
- NOTES:
1. MATERIALS:
 HOUSING - LIQUID CRYSTAL POLYMER (LCP) GLASS-FILLED, UL94V-0.
 TERMINALS - HIGH PERFORMANCE COPPER ALLOY.
 2. FINISH:
 30 uIN MIN GOLD IN CONTACT AREA, SELECTIVE TIN ON PCB TAILS, NICKEL OVERALL.
 3. REFER TO MOLEX PRODUCT SPEC PS-75710-999 FOR PERFORMANCE SPECIFICATIONS.
 4. PRODUCT IS PACKAGED PER PK-70873-608.
 5. THIS PART CONFORMS TO CLASS B REQUIREMENTS OF COSMETIC SPEC PS-45499-002.

INITIAL RELEASE EIC NO: UCP2013-2975 DRAWN: KHUGHES 2013/01/18 CHKD: CHYK APPR: JB INGHAM DATE: 2013/03/01	QUALITY SYMBOLS ▽=0 ▽=0	GENERAL TOLERANCES (UNLESS SPECIFIED) DIMENSION STYLE MM ONLY	DRAWN BY: KHUGHES DATE: 2013/01/11 CHECKED BY: JB INGHAM DATE: 2014/01/14 APPROVED BY: JB INGHAM DATE: 2013/03/01	SCALE: 4:1 DESIGN UNITS: METRIC THIRD ANGLE PROJECTION
	DRAFT WHERE APPLICABLE MUST REMAIN WITHIN DIMENSIONS	MATERIAL NO: SEE CHART SIZE: D	DOCUMENT NO: SD-171910-0001	TITLE: I-TRAC 15R HYBRID NXT 100 OHM OPEN SGNL MODULE SALES DRAWING MOLEX INCORPORATED

MATERIAL NUMBER	# OF COLUMNS	DIM. 'A' MAX	DIM. 'B'
171910-3+08	8	37.00	25.90
171910-3+09	9	40.70	29.60
171910-3+10	10	44.40	33.30



(CONNECTOR SIDE)
DAUGHTERCARD HOLE PATTERN



171910-****

MODULE TYPE -- TAIL PLATING
GUIDE LEFT -- TIN ONLY - 3

OF COLUMNS
06 = 6 COL
08 = 8 COL
09 = 9 COL
10 = 10 COL
56 = 6 COL W/ESD CLIP
58 = 8 COL W/ESD CLIP
59 = 9 COL W/ESD CLIP
50 = 10 COL W/ESD CLIP

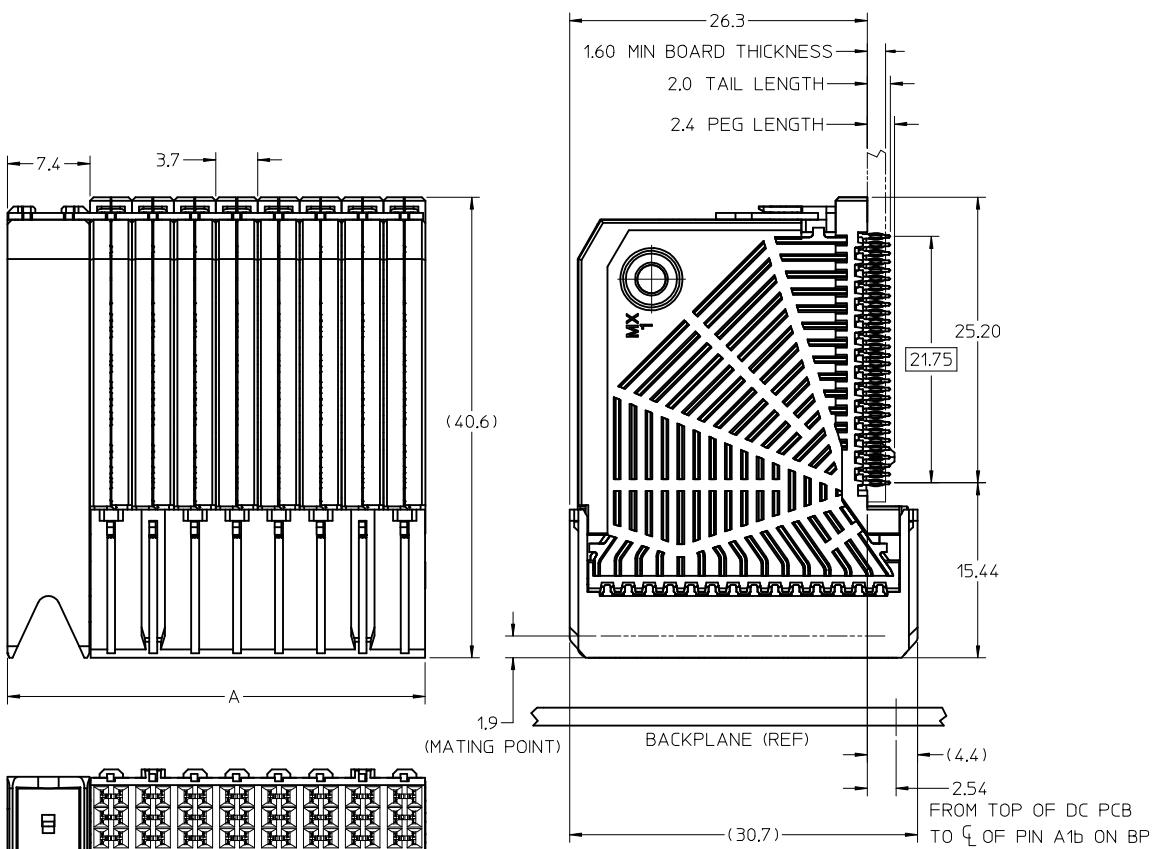
POLARIZATION KEY ORIENTATION

0 - NO KEY	5 - E
1 - A	6 - F
2 - B	7 - G
3 - C	8 - H
4 - D	

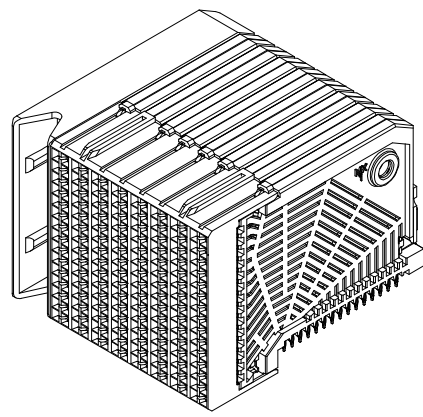
- NOTES:
- MATERIALS:
HOUSING - LIQUID CRYSTAL POLYMER (LCP) GLASS-FILLED, UL94V-0.
TERMINALS - HIGH PERFORMANCE COPPER ALLOY.
 - FINISH:
30 µm MIN GOLD IN CONTACT AREA. SELECTIVE TIN ON PCB TAILS. NICKEL OVERALL.
 - REFER TO MOLEX PRODUCT SPEC PS-75710-999 FOR PERFORMANCE SPECIFICATIONS.
 - PRODUCT IS PACKAGED PER PK-70873-608.
 - THIS PART CONFORMS TO CLASS B REQUIREMENTS OF COSMETIC SPEC PS-45499-002.
 - GUIDED PARTS TO BE SHIPPED WITH 2-32 TYPE AB SELF-TAPPING SCREW P/N 73726-0000.
 - FOR GROUNDED GUIDE MODULES USE DIA 2.45+/-0.10 (PTH), DIA 2.58 (DRILL) AND DIA 4.50 (PAD).

INITIAL RELEASE EC NO: UCP2013-2975 DRAWN: KHUGHES 2013/01/18 CHKD: CHKD APPR: JB INGHAM DATE: 2013/03/01	QUALITY SYMBOLS	GENERAL TOLERANCES (UNLESS SPECIFIED)	DIMENSION STYLE	SCALE	DESIGN UNITS	THIRD ANGLE PROJECTION
	▽=0 ▽=0	mm INCH 4 PLACES ± --- ± --- 3 PLACES ± --- ± --- 2 PLACES ± 0.10 ± --- 1 PLACE ± 0.2 ± --- ANGULAR ± 5 °	MM ONLY DRAWN BY: KHUGHES CHECKED BY: JB INGHAM APPROVED BY: JB INGHAM DATE: 2013/01/10 DATE: 2014/01/14 DATE: 2013/03/01	4:1	METRIC	I-TRAC 15R HYBRID NXT 100 OHM GL SIGNAL MODULE SALES DRAWING
DRAFT WHERE APPLICABLE MUST REMAIN WITHIN DIMENSIONS		MATERIAL NO. SEE CHART SIZE D		DOCUMENT NO. SD-171910-0002		SHEET NO. 1 OF 1

THIS DRAWING CONTAINS INFORMATION THAT IS PROPRIETARY TO MOLEX INCORPORATED AND SHOULD NOT BE USED WITHOUT WRITTEN PERMISSION



- NOTES:
1. MATERIALS: HOUSING - LIQUID CRYSTAL POLYMER (LCP)
GLASS-FILLED, UL 94V-0
TERMINALS - HIGH PERFORMANCE COPPER ALLOY
 2. FINISH: SELECTIVE 10 MICROINCH GOLD (MAPS) OR 30 MICROINCH GOLD IN CONTACT AREA.
SELECTIVE MATTE TIN ON PCB TAILS,
NICKEL OVERALL.
 3. REFER TO MOLEX PRODUCT SPEC PS-75710-999 FOR PERFORMANCE SPECIFICATIONS.
 4. PRODUCT IS PACKAGED PER PK-70873-608.
 5. THIS PART CONFORMS TO CLASS B REQUIREMENTS OF COSMETIC SPEC PS-45499-002.
 6. GUIDED PARTS TO BE SHIPPED WITH 2-32 TYPE AB SELF-TAPPING SCREW P/N 73726-0000.
 7. FOR GROUNDED GUIDE MODULES USE DIA 2.45+/-0.10 (PTH), DIA 2.58 (DRILL), AND DIA 4.50 (PAD).
 8. MAPS (MOLEX ADVANCED PLATING SYSTEM).



LEAD FREE CONVERSION EEC NO: UCP2013-4288 DRW:RMH/PPLE 2013/04/09 CHKD:MM/LFE 2013/04/09 APPR:SM/ILLER 2013/08/26	QUALITY SYMBOLS ▽=0 ▽=0 ▽=0	GENERAL TOLERANCES (UNLESS SPECIFIED)		DIMENSION STYLE MM ONLY		SCALE 3:1	DESIGN UNITS METRIC	THIRD ANGLE PROJECTION	
		4 PLACES ± --- ± --- 3 PLACES ± --- ± --- 2 PLACES ± 0.13 ± --- 1 PLACE ± 0.25 ± --- 0 PLACE ± ±	mm INCH DRAWN BY DATE MCARRANZA 3/20/06 CHECKED BY DATE JLAURX 3/21/06 APPROVED BY DATE JLAURX 3/21/06	TITLE I-TRAC DAUGHTERCARD 15 ROW GUIDE LEFT SIGNAL MODULE		MATERIAL NO. SEE CHART		DOCUMENT NO. SD-76040-002	
DRAFT WHERE APPLICABLE MUST REMAIN WITHIN DIMENSIONS		ANGULAR ±1/2°		THIS DRAWING CONTAINS INFORMATION THAT IS PROPRIETARY TO MOLEX. INCORPORATED AND SHOULD NOT BE USED WITHOUT WRITTEN PERMISSION					

MATERIAL NUMBER	# OF COLUMNS	DIM. "A" MAX	DIM. "B"
76040-***8	8	37.00	25.90
76040-***9	9	40.70	29.60
76040-***0	10	44.40	33.30

76040-***

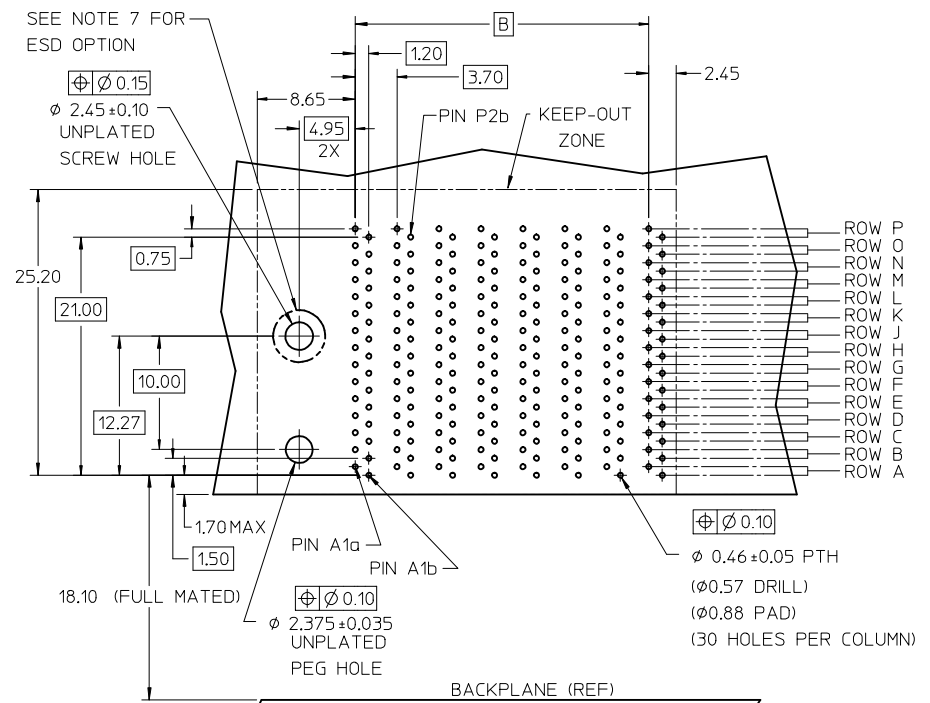
MODULE TYPE -- TAIL PLATING TYPE
 GUIDE LEFT -- MATTE TIN (FORMERLY TIN/LEAD) = 2
 GUIDE LEFT -- MATTE TIN = 3

POLARIZATION KEY ORIENTATION

- 0 = NO KEY
 1 = A 5 = E
 2 = B 6 = F
 3 = C 7 = G
 4 = D 8 = H

OF COLUMNS/PLATING

- 08 = 8 COL 30 GOLD
 09 = 9 COL 30 GOLD
 10 = 10 COL 30 GOLD
 58 = 8 COL W/ESD CLIP 30 GOLD
 59 = 9 COL W/ESD CLIP 30 GOLD
 50 = 10 COL W/ESD CLIP 30 GOLD
 48 = 8 COL 10 GOLD (MAPS)
 49 = 9 COL 10 GOLD (MAPS)
 40 = 10 COL 10 GOLD (MAPS)
 78 = 8 COL W/ESD CLIP 10 GOLD (MAPS)
 79 = 9 COL W/ESD CLIP 10 GOLD (MAPS)
 70 = 10 COL W/ESD CLIP 10 GOLD (MAPS)



DAUGHTERCARD HOLE PATTERN
(CONNECTOR SIDE)

SEE SHEET 1 EC NO: UCP2013-4288 DRAWN: RHIPPLE 2013/04/09 CHKD: MWOLFE 2013/04/09 APPR: SMILLER 2013/08/26	QUALITY SYMBOLS $\nabla = 0$ $\nabla = 0$ $\nabla = 0$	GENERAL TOLERANCES (UNLESS SPECIFIED) <table border="1"> <thead> <tr> <th></th> <th>mm</th> <th>INCH</th> </tr> </thead> <tbody> <tr> <td>4 PLACES</td> <td>± 0.13</td> <td>± 0.005</td> </tr> <tr> <td>3 PLACES</td> <td>± 0.25</td> <td>± 0.010</td> </tr> <tr> <td>2 PLACES</td> <td>± 0.51</td> <td>± 0.020</td> </tr> <tr> <td>1 PLACE</td> <td>± 1.02</td> <td>± 0.040</td> </tr> <tr> <td>0 PLACE</td> <td>± 2.03</td> <td>± 0.080</td> </tr> </tbody> </table>		mm	INCH	4 PLACES	± 0.13	± 0.005	3 PLACES	± 0.25	± 0.010	2 PLACES	± 0.51	± 0.020	1 PLACE	± 1.02	± 0.040	0 PLACE	± 2.03	± 0.080	DIMENSION STYLE MM ONLY DRAWN BY: MCARRANZA DATE: 3/20/06 CHECKED BY: JLAURX DATE: 3/21/06 APPROVED BY: JLAURX DATE: 3/21/06	SCALE 2:1 TITLE I-TRAC DAUGHTERCARD 15 ROW GUIDE LEFT SIGNAL MODULE	DESIGN UNITS METRIC THIRD ANGLE PROJECTION	MATERIAL NO. SEE CHART	DOCUMENT NO. SD-76040-002	SHEET NO. 2 OF 2
		mm	INCH																							
	4 PLACES	± 0.13	± 0.005																							
	3 PLACES	± 0.25	± 0.010																							
2 PLACES	± 0.51	± 0.020																								
1 PLACE	± 1.02	± 0.040																								
0 PLACE	± 2.03	± 0.080																								
ANGULAR $\pm 1/2^\circ$		DRAFT WHERE APPLICABLE MUST REMAIN WITHIN DIMENSIONS		molex		THIS DRAWING CONTAINS INFORMATION THAT IS PROPRIETARY TO MOLEX INCORPORATED AND SHOULD NOT BE USED WITHOUT WRITTEN PERMISSION																				