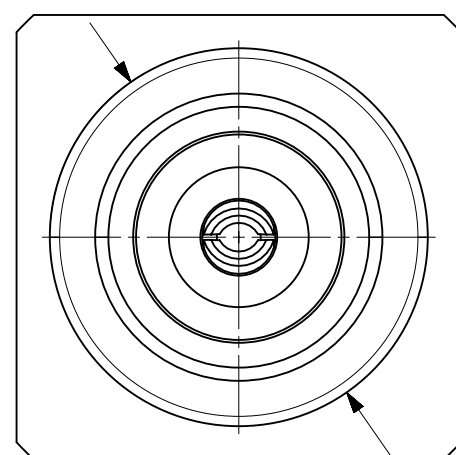
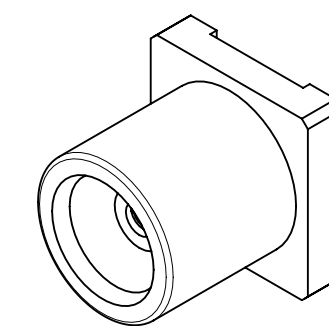


MATERIALS AND FINISHES:

BODY: BRASS
PLATED GOLD

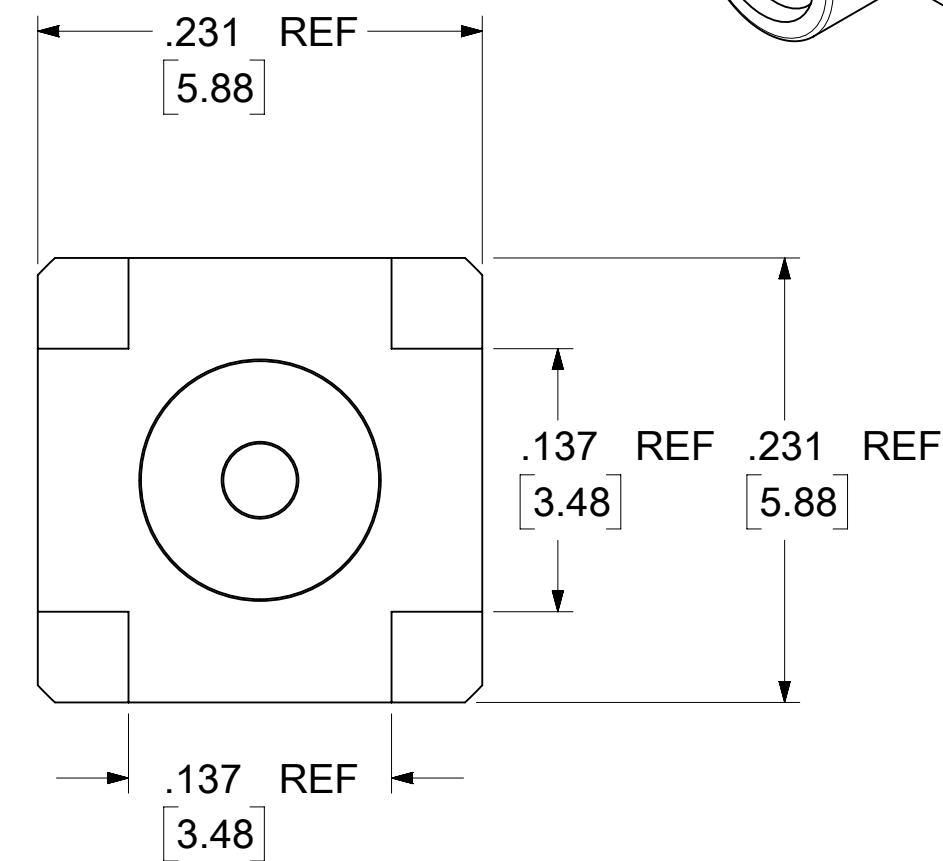
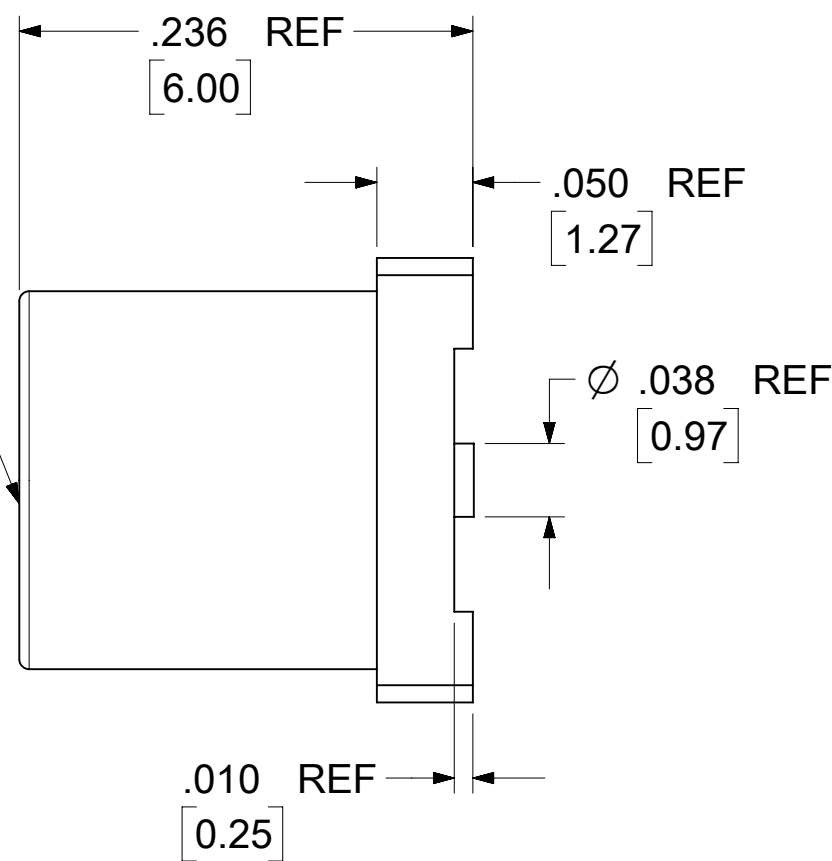
CENTER CONTACT: PHOSPHOR BRONZE
PLATED GOLD

INSULATOR: TEFLON



Ø .197 REF
[5.00]

MCX JACK
INTERFACE

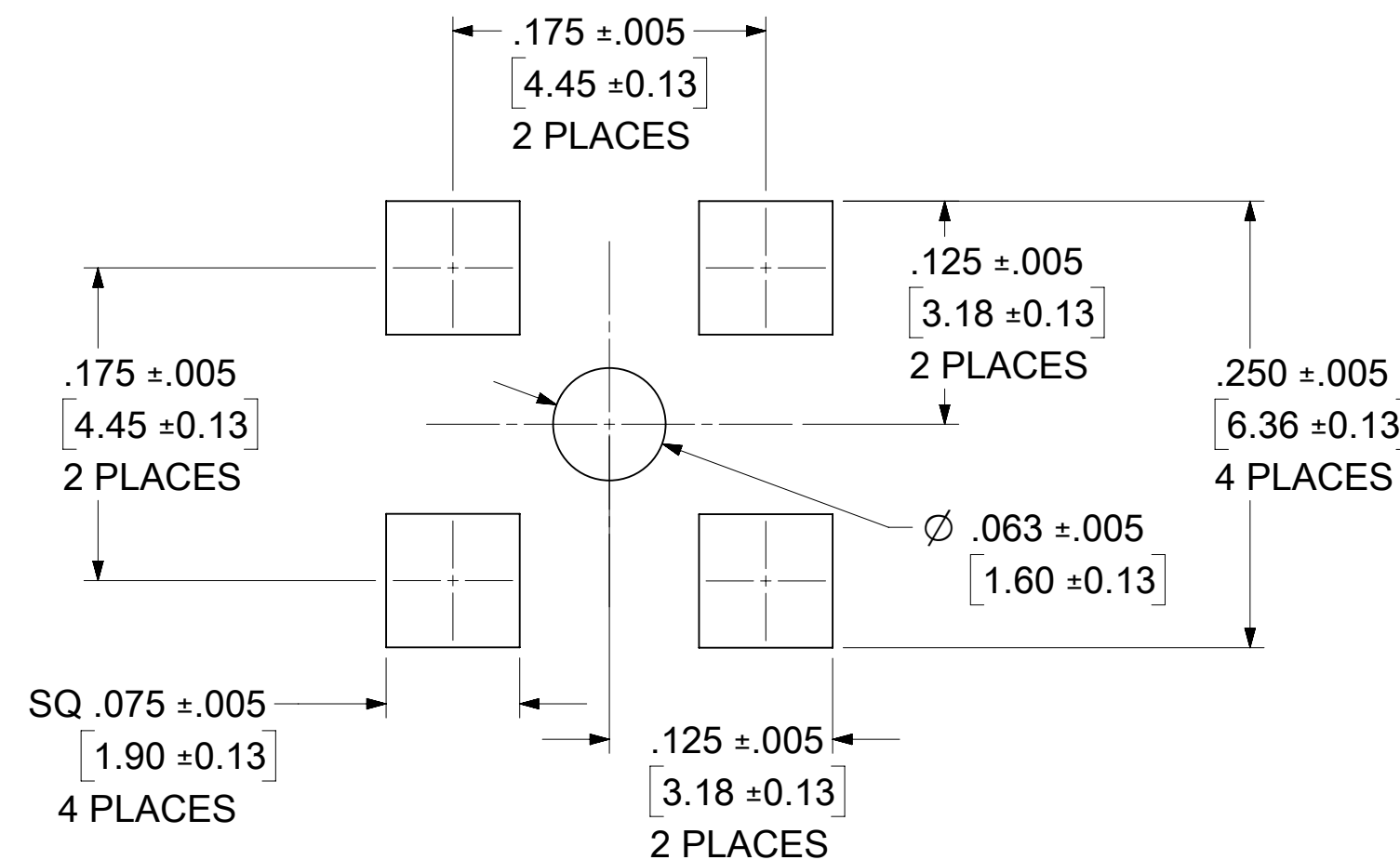


LABEL WITH EACH BAG
FOR 73415-4503

MOLEX P/N: 73415-4503
DATE: YYWW

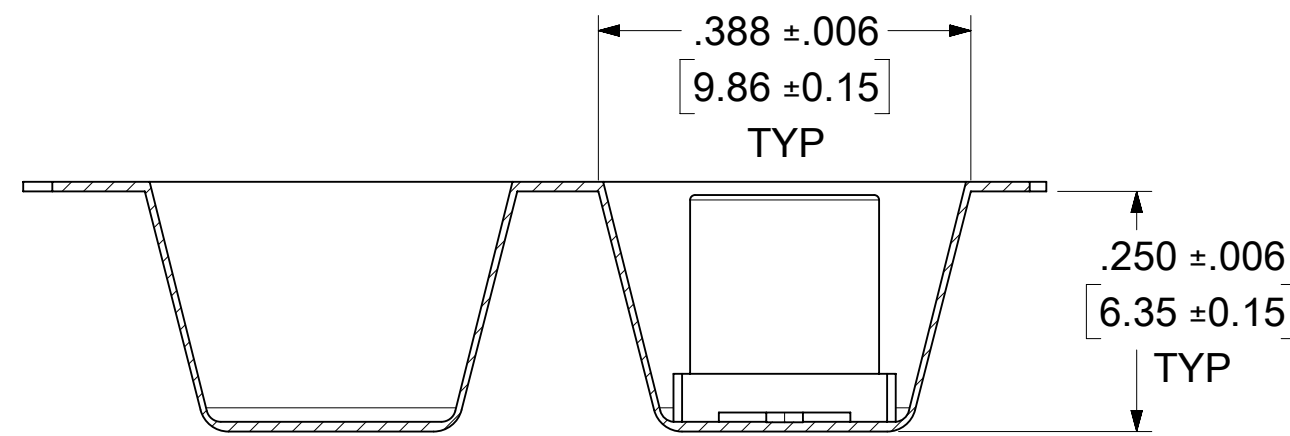
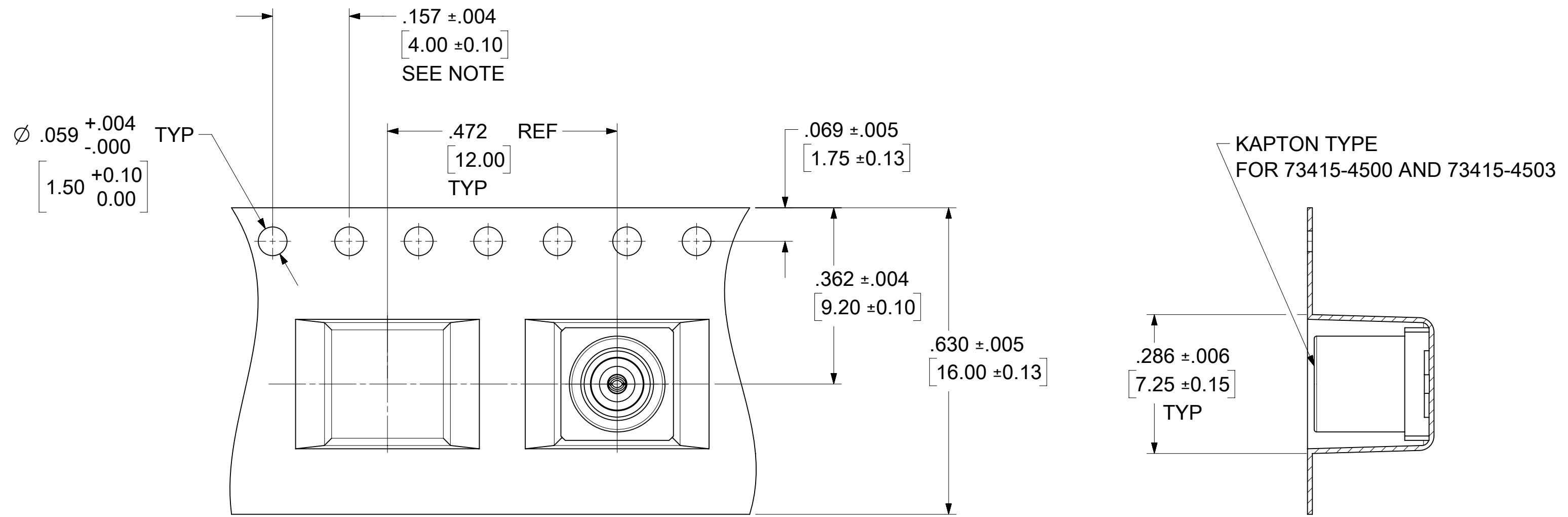
73415-4503	73415-4500 FOR TAPE SMALL QTY PER P/N 89542-0392
73415-4502	TAPE & REEL WITHOUT KAPTON SEE SHEET 2
73415-4501	POLY BAG PER P/N 89542-0410
73415-4500	TAPE & REEL WITH KAPTON SEE SHEET 2
PART NO.	PACKAGING

PS-89675-1910	ELECTRO/ MECH PERFORM.
SPECIFICATION	DESCRIPTION



RECOMMENDED MOUNTING PATTERN

FUNCTIONAL SYMBOLS	THIS DRAWING CONTAINS INFORMATION THAT IS PROPRIETARY TO MOLEX ELECTRONIC TECHNOLOGIES, LLC AND SHOULD NOT BE USED WITHOUT WRITTEN PERMISSION												
	DIMENSION UNITS	SCALE	CURRENT REV DESC: ADD 73415-4503 PKG LABEL PER EWR14242I								molex		
FA = 0	IN/MM	NTS	GENERAL TOLERANCES (UNLESS SPECIFIED)		EC NO: 661119					50 OHMS, EWR-1472 MCX-J/PCB/SMT			
FC = 0			ANGULAR TOL ± 2.0°		DRWN: CWEI02		2021/04/13						
FD = 0			4 PLACES ±		CHK'D: YCHENG		2021/05/07						
DIVISIONAL SYMBOLS			3 PLACES ±		APPR: YCHENG		2021/05/07			PRODUCT CUSTOMER DRAWING			
			2 PLACES ±		INITIAL REVISION:								
			1 PLACE ±		DRWN: SSS		2001/09/04			DOCUMENT NUMBER	DOC TYPE	DOC PART	REVISION
			0 PLACES ±		APPR: GMH		2001/09/04			SD-73415-450	PSD	001	A5
DRAFT WHERE APPLICABLE MUST REMAIN WITHIN DIMENSIONS			THIRD ANGLE PROJECTION		DRAWING	SERIES	MATERIAL NUMBER	CUSTOMER	SHEET NUMBER				
					C-SIZE	73415	SEE TABLE	GENERAL MARKET	1 OF 2				



NOTES:

TAPE AND REEL FOR 73415-4500, 73415-4502

TAPE AND BAG FOR 73415-4503

73415-4500 AND 73415-4503 WITH KAPTON TAPE

73415-4502 WITHOUT KAPTON TAPE

10 PITCHES CUMULATIVE TOLERANCE ± 0.008 (0.20)

750 CONNECTORS PER REEL WITH 25 EMPTY CAVATIES
 IN START AND END ON 13 INCH REEL, 16MM TAPE, 12MM CAVITY PITCH
 TAPE CAP ON EACH PART

DIMENSIONS ARE SHOWN FOR REFERENCE ONLY

FUNCTIONAL SYMBOLS	THIS DRAWING CONTAINS INFORMATION THAT IS PROPRIETARY TO MOLEX ELECTRONIC TECHNOLOGIES, LLC AND SHOULD NOT BE USED WITHOUT WRITTEN PERMISSION											
	DIMENSION UNITS	SCALE	CURRENT REV DESC: ADD 73415-4503 PKG LABEL PER EWR14242I							molex		
$\frac{F}{A} = 0$	IN/MM	NTS	GENERAL TOLERANCES (UNLESS SPECIFIED)		EC NO: 661119							
$\frac{F}{C} = 0$			ANGULAR TOL $\pm 2.0^\circ$		DRWN: CWEI02		2021/04/13			50 OHMS, EWR-1472 MCX-J/PCB/SMT		
$\frac{F}{P} = 0$			4 PLACES \pm		CHK'D: YCHENG		2021/05/07			PRODUCT CUSTOMER DRAWING		
DIVISIONAL SYMBOLS			3 PLACES \pm		APPR: YCHENG		2021/05/07			DOCUMENT NUMBER		
			2 PLACES \pm		INITIAL REVISION:		2001/09/04			DOC TYPE DOC PART REVISION		
			1 PLACE \pm		DRWN: SSS		2001/09/04			SD-73415-450		
			0 PLACES \pm		APPR: GMH		2001/09/04			PSD 001 A5		
DRAFT WHERE APPLICABLE MUST REMAIN WITHIN DIMENSIONS			THIRD ANGLE PROJECTION		DRAWING		SERIES		MATERIAL NUMBER		CUSTOMER	
					C-SIZE		73415		SEE TABLE		GENERAL MARKET	
											SHEET NUMBER	
											2 OF 2	