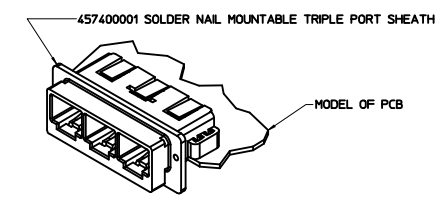


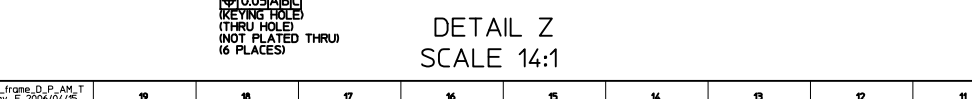
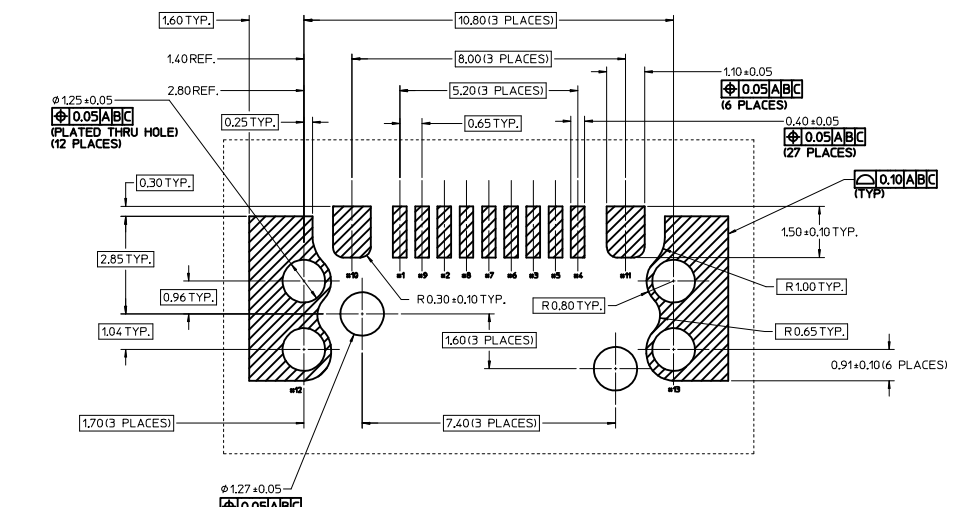
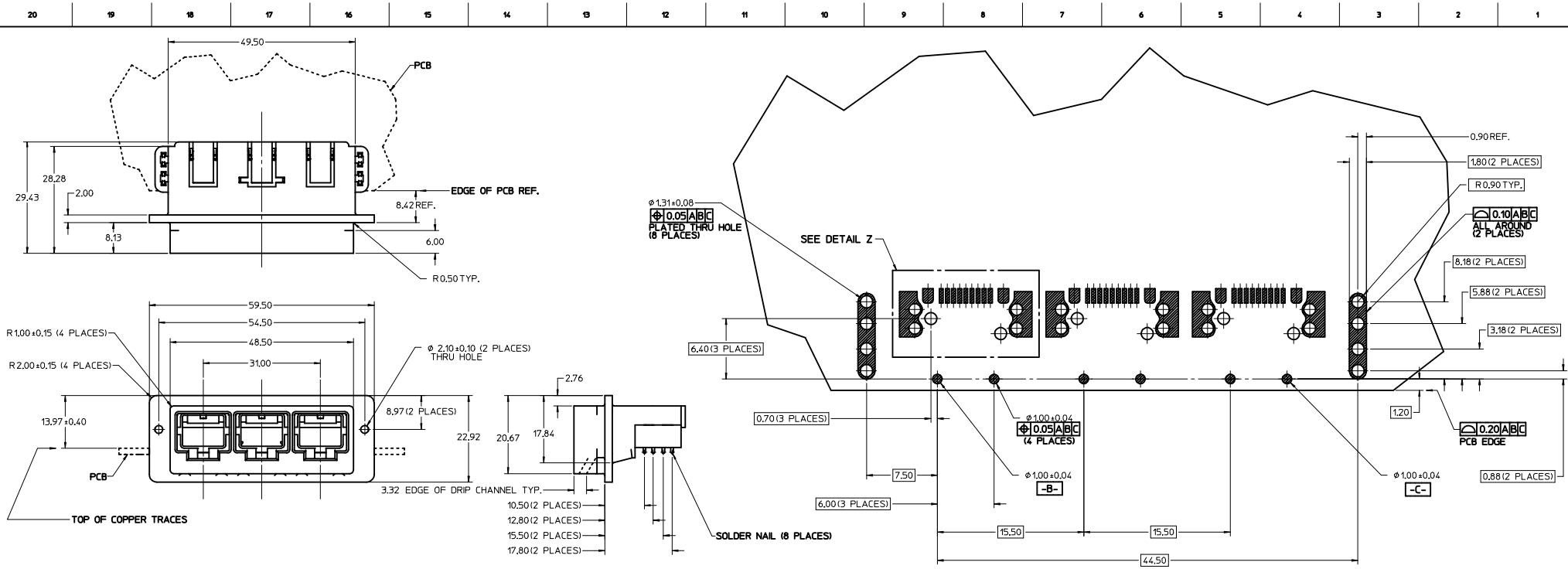
PCB LAYOUT -- USING THE BILINGUAL FOOT PRINT
(SCALE 5:0)
(NOTE: DATUM -A- IS THE TOP SURFACES OF THE COPPER TRACES)
(NOTE: THE SOLDERABLE SURFACES ARE HATCHED)

- NOTES:
1. MATERIAL
MOLDING: GLASS FILLED LCP, COLOR = BLACK.
SOLDER NAILS: COPPER ALLOY.
 2. FINISHES
MOLDING: NONE
SOLDER NAILS: TIN OVER NICKEL PLATING
 3. PRODUCT SPECIFICATION: PS-45240-001
 4. PACKAGING: PK-45740-001
 5. UNLESS OTHERWISE SPECIFIED, ALL DIMENSIONS AND FEATURES LOCATED ACROSS A CENTERLINE TO BE SYMMETRIC TO WITHIN 0.25 TOTAL.
 6. THE 1394b SOCKETS ARE TO BE SOLDERED TO THE PCB BEFORE ASSEMBLING THE 457400001 TRIPLE PORT SHEATH.
 7. THREE 1394b SOCKETS MUST BE USED WITH EACH 457400001 TRIPLE PORT SHEATH.
 8. SEE AS-45740-001 FOR ADDITIONAL MOUNTING INSTRUCTIONS.
 9. THE PART CONFORMS TO CLASS 'B' REQUIREMENTS OF COSMETIC SPECIFICATION PS-45499-002.



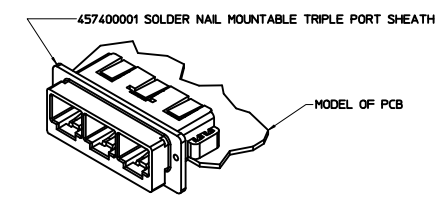
ISOMETRIC PROJECTION OF 45740-0001 MOUNTED TO PCB
(NOTE THE THREE UNDERLYING 1394b BILINGUAL SOCKETS ARE NOT VISABLE)

QAL 2828 TO 2943 IEC NO: UCP2007-0876 DRAWN BY: DRINKS/SCHMIDT CHYKID/BELL APPROVED BY: APPREH/SMITH DATE: 2006/12/19 DATE: 2006/12/20	QUALITY SYMBOLS	GENERAL TOLERANCES (UNLESS SPECIFIED)	DIMENSION STYLE	SCALE	DESIGN UNITS	THIRD ANGLE PROJECTION															
	$\nabla=0$ $\nabla=0$	<table border="1"> <tr> <th></th> <th>mm</th> <th>INCH</th> </tr> <tr> <td>4 PLACES ±---</td> <td>±---</td> <td>±---</td> </tr> <tr> <td>3 PLACES ±---</td> <td>±---</td> <td>±---</td> </tr> <tr> <td>2 PLACES ±0.13</td> <td>±---</td> <td>±---</td> </tr> <tr> <td>1 PLACE ±0.25</td> <td>±---</td> <td>±---</td> </tr> </table>		mm	INCH	4 PLACES ±---	±---	±---	3 PLACES ±---	±---	±---	2 PLACES ±0.13	±---	±---	1 PLACE ±0.25	±---	±---	MM ONLY	2:1	METRIC	
		mm	INCH																		
	4 PLACES ±---	±---	±---																		
3 PLACES ±---	±---	±---																			
2 PLACES ±0.13	±---	±---																			
1 PLACE ±0.25	±---	±---																			
DRAFT WHERE APPLICABLE MUST REMAIN WITHIN DIMENSIONS	DRAWN BY: PELOZA CHECKED BY: PELOZA APPROVED BY: COMERCI DATE: 04/01/13 DATE: 04/01/14 DATE: 04/01/13	MATERIAL NO: 457400001	DOCUMENT NO: SD-45740-001	TITLE: SHEATH SOLDER TAIL MOUNT TRIPLE PORT	MOLEX INCORPORATED	SHEET NO: 1 OF 1															
THIS DRAWING CONTAINS INFORMATION THAT IS PROPRIETARY TO MOLEX INCORPORATED AND SHOULD NOT BE USED WITHOUT WRITTEN PERMISSION																					



PCB LAYOUT -- USING THE BILINGUAL FOOT PRINT
 (SCALE 5:0)
 (NOTE: DATUM -A- IS THE TOP SURFACES OF THE COPPER TRACES)
 (NOTE: THE SOLDERABLE SURFACES ARE HATCHED)

- NOTES:
1. MATERIAL
MOLDING: GLASS FILLED LCP, COLOR = BLACK.
SOLDER NAILS: COPPER ALLOY.
 2. FINISHES
MOLDING: NONE
SOLDER NAILS: TIN OVER NICKEL PLATING
 3. PRODUCT SPECIFICATION: PS-45240-001
 4. PACKAGING: PK-45740-001
 5. UNLESS OTHERWISE SPECIFIED, ALL DIMENSIONS AND FEATURES LOCATED ACROSS A CENTERLINE TO BE SYMMETRIC TO WITHIN 0.25 TOTAL.
 6. THE 1394b SOCKETS ARE TO BE SOLDERED TO THE PCB BEFORE ASSEMBLING THE 457400001 TRIPLE PORT SHEATH.
 7. THREE 1394b SOCKETS MUST BE USED WITH EACH 457400001 TRIPLE PORT SHEATH.
 8. SEE AS-45740-001 FOR ADDITIONAL MOUNTING INSTRUCTIONS.
 9. THE PART CONFORMS TO CLASS 'B' REQUIREMENTS OF COSMETIC SPECIFICATION PS-45499-002.



ISOMETRIC PROJECTION OF 45740-0001 MOUNTED TO PCB
 (NOTE THE THREE UNDERLYING 1394b BILINGUAL SOCKETS ARE NOT VISABLE)

QAL 2828 TO 2943 IEC NO: UCP2007-0876 DRAWN BY: DRWNS/SCHMIDT CHKD: BELLE APPROVED BY: APPRES/SMTTH DATE: 2006/12/19 DATE: 2006/12/20	QUALITY SYMBOLS	GENERAL TOLERANCES (UNLESS SPECIFIED)	DIMENSION STYLE	SCALE	DESIGN UNITS	THIRD ANGLE PROJECTION																									
	$\nabla=0$ $\nabla=0$	<table border="1"> <tr> <th></th> <th>mm</th> <th>INCH</th> </tr> <tr> <td>4 PLACES ±</td> <td>---</td> <td>---</td> </tr> <tr> <td>3 PLACES ±</td> <td>---</td> <td>---</td> </tr> <tr> <td>2 PLACES ±</td> <td>0.13</td> <td>---</td> </tr> <tr> <td>1 PLACE ±</td> <td>0.25</td> <td>---</td> </tr> </table>		mm	INCH	4 PLACES ±	---	---	3 PLACES ±	---	---	2 PLACES ±	0.13	---	1 PLACE ±	0.25	---	MM ONLY	2:1	METRIC											
		mm	INCH																												
	4 PLACES ±	---	---																												
3 PLACES ±	---	---																													
2 PLACES ±	0.13	---																													
1 PLACE ±	0.25	---																													
DRAFT WHERE APPLICABLE MUST REMAIN WITHIN DIMENSIONS	<table border="1"> <tr> <td>MATERIAL NO.</td> <td>457400001</td> </tr> <tr> <td>DATE</td> <td>04/01/13</td> </tr> </table>	MATERIAL NO.	457400001	DATE	04/01/13	<table border="1"> <tr> <td>DRAWN BY</td> <td>PELOZA</td> <td>DATE</td> <td>04/01/13</td> </tr> <tr> <td>CHECKED BY</td> <td>PELOZA</td> <td>DATE</td> <td>04/01/14</td> </tr> <tr> <td>APPROVED BY</td> <td>COMERCI</td> <td>DATE</td> <td>04/01/13</td> </tr> </table>	DRAWN BY	PELOZA	DATE	04/01/13	CHECKED BY	PELOZA	DATE	04/01/14	APPROVED BY	COMERCI	DATE	04/01/13	<table border="1"> <tr> <td>TITLE</td> <td colspan="3">SHEATH SOLDER TAIL MOUNT TRIPLE PORT</td> </tr> <tr> <td>MOLEX INCORPORATED</td> <td colspan="3">MOLEX INCORPORATED</td> </tr> <tr> <td>DOCUMENT NO.</td> <td>SD-45740-001</td> <td>SHEET NO.</td> <td>1 OF 1</td> </tr> </table>	TITLE	SHEATH SOLDER TAIL MOUNT TRIPLE PORT			MOLEX INCORPORATED	MOLEX INCORPORATED			DOCUMENT NO.	SD-45740-001	SHEET NO.	1 OF 1
MATERIAL NO.	457400001																														
DATE	04/01/13																														
DRAWN BY	PELOZA	DATE	04/01/13																												
CHECKED BY	PELOZA	DATE	04/01/14																												
APPROVED BY	COMERCI	DATE	04/01/13																												
TITLE	SHEATH SOLDER TAIL MOUNT TRIPLE PORT																														
MOLEX INCORPORATED	MOLEX INCORPORATED																														
DOCUMENT NO.	SD-45740-001	SHEET NO.	1 OF 1																												
THIS DRAWING CONTAINS INFORMATION THAT IS PROPRIETARY TO MOLEX INCORPORATED AND SHOULD NOT BE USED WITHOUT WRITTEN PERMISSION																															