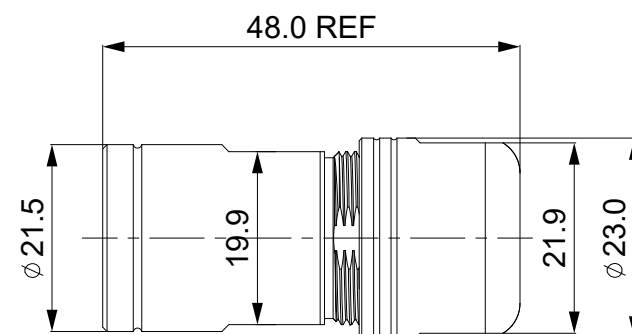
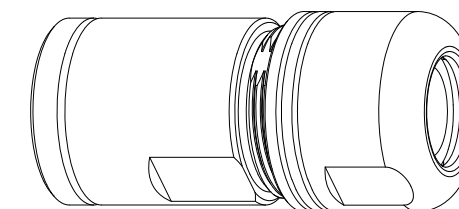
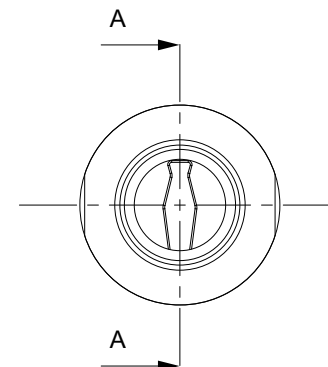
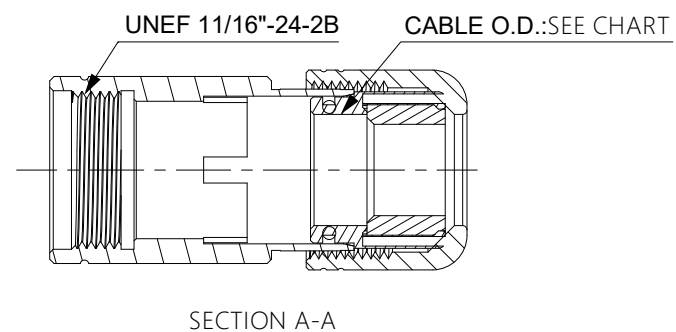


REVISIONS					
REV	ECO	DESCRIPTION	DATE	BY	APPR
A1	-	RELEASED DRAWING	Jul-11-19	Ronald	Tommy



NOTES: (UNLESS OTHERWISE SPECIFIED)

- MATERIAL:
 - NUT: ZINC ALLOY.
 - BACK SHELL: ZINC ALLOY.
 - O-RING: SILICONE RUBBER.
 - CABLE SEAL: EPDM.
 - EMI SHIELDING RING: STAINLESS STEEL.
 - CLAMP INSERT: THERMOPLASTIC UL94 V-0.
- RoHS COMPLIANT.
- ALL DIMENSIONS ARE FOR REFERENCE USE ONLY.
- SHELL FINISHED:

P/N	" * "	SHELL FINISHED
RT0S-12CG-NS*-*	OMIT	PLATED NICKLE
	Z	BLACK ZINC
	G	GREEN ZINC

P/N	CABLE O.D.
RT0S-12CG-NS1-*	Ø6.5-Ø10.0mm
RT0S-12CG-NS2-*	Ø9.0-Ø12.5mm

QUANTITY	PART NUMBER	DESCRIPTION	ITEM
MATERIALS LIST			
UNLESS OTHERWISE SPECIFIED 1) All dimensions are in metric(mm). 2) Tolerances are as follows: 1 PL DEC ±0.30 2 PL DEC ±0.15 3 PL DEC ±0.08 Fractions ±1/64 Angles ±1° 3) Note reference =		SIGNATURES DRAWN: Ronald CHECKED: Martin ENGINEER: APPROVAL: Tommy DATE: Jul-11-19 Jul-11-19	Amphenol Sine Systems - www.amphenol-sine.com 44724 Morley Drive Clinton Township, MI 48036
MATERIAL SPECIFICATIONS:		CUSTOMER:	ECO-MATE,CORD GRIP, SIZE 12.
PROCESS SPECIFICATIONS:		THIS DRAWING IS SUPPLIED FOR INFORMATION ONLY. DESIGN FEATURES, SPECIFICATIONS AND PERFORMANCE DATA SHOWN HEREON ARE THE PROPERTY OF THE AMPHENOL CORPORATION. NO RIGHTS OF REPRODUCTION ARE IMPLIED. ALL DIMENSIONS ARE SUBJECT TO NORMAL MANUFACTURING VARIATIONS.	SIZE: B TYPE: C- DWG NO.: RT0S-12CG-NS*-* REVISION: A1
NEXT ASSY:		SCALE: NONE	SHEET 1 OF 1

TITLE: ECO-MATE, CORD GRIP, SIZE 12
 DWG NO.: RT0S-12CG-NS*-*
 REV: A1
 SH: 1
 OF: 1