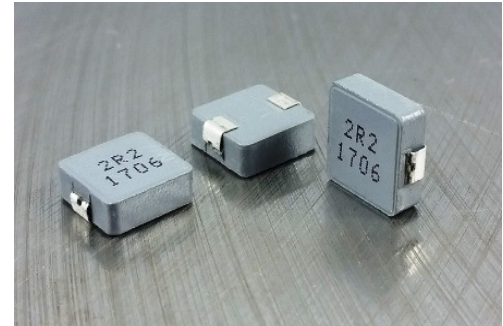
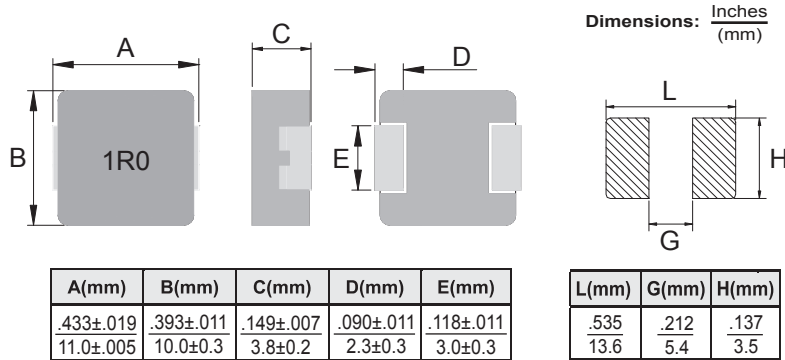




Power Choke High Current

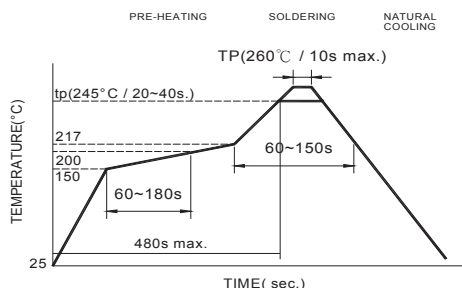
PCHC1004H



Allied Part Number	Inductance (μH) ±20% @ 0A	DCR (mΩ) Typ.@25°C	DCR (mΩ) Max@25°C	I _{rms} (A) Typ.	I _{sat} (A) Typ.
PCHC1004H-R15M	0.15	0.5	0.6	43	75
PCHC1004H-R22M	0.22	0.8	1.0	35	60
PCHC1004H-R27M	0.27	0.82	1.0	33	60
PCHC1004H-R30M	0.30	0.94	1.1	32	60
PCHC1004H-R33M	0.33	1.00	1.2	31	60
PCHC1004H-R36M	0.36	1.05	1.2	31	60
PCHC1004H-R39M	0.39	1.1	1.3	30	60
PCHC1004H-R45M	0.45	1.3	1.5	29	45
PCHC1004H-R47M	0.47	1.3	1.5	28	43
PCHC1004H-R56M	0.56	1.6	1.8	25	40
PCHC1004H-R68M	0.68	2.4	2.7	22	39
PCHC1004H-1R0M	1.00	3.0	3.3	18	36
PCHC1004H-1R2M	1.20	3.3	3.8	17	33
PCHC1004H-1R5M	1.50	4.0	4.6	16	33
PCHC1004H-2R2M	2.20	6.5	7.0	12	27
PCHC1004H-2R5M	2.50	7.9	8.7	11.5	23
PCHC1004H-3R3M	3.30	10.8	11.8	11	20
PCHC1004H-4R0M	4.00	13	15	10.2	18
PCHC1004H-4R7M	4.70	15.0	15.5	10	17
PCHC1004H-5R6M	5.60	17	19.3	9.0	14
PCHC1004H-6R8M	6.80	17.5	23.3	8.5	13.5
PCHC1004H-8R2M	8.20	20	22.5	8.0	12.5
PCHC1004H-100M	10.0	27.0	30	7.5	12.0
PCHC1004H-150M	15.0	40	45	6.25	10
PCHC1004H-220M	22.0	64	74	5.0	7.0
PCHC1004H-270M	27.0	86	100	4.0	6.0
PCHC1004H-330M	33.0	92	112	3.5	5.0
PCHC1004H-470M	47.0	145	167	3.0	4.5
PCHC1004H-680M	68.0	205	240	2.0	3.0

All specifications subject to change without notice.

Reflow Soldering



Reflow times: 3 times max.

Features

- Magnetically shielded construction
- Expanded operating temp range
- High Current, Low DCR
- Very Low Acoustic Noise & Leakage flux
- Suitable for pick and place
- Series is RoHS Compliant

Electrical

Inductance Range: 0.15μH to 68μH
Tolerance: ±20% Across entire series
Test Frequency: 100KHz, 1V
Operating Temp: -40°C to +125°C
I_{rms}: Current at which ΔT=40°C temp rise without core loss.
I_{sat}: Current at which Inductance drop is approximately 20%. The part temperature (ambient + temp rise) should not exceed 125°C under worst case operating conditions.

Solderability

Pre-Heat: 150°C, 1 minute.
Solder Composition: Sn99.5% Cu5%
Solder Temp: 260°C ± 5°C
Immersion Time: 10± 1 Sec.

Test Equipment

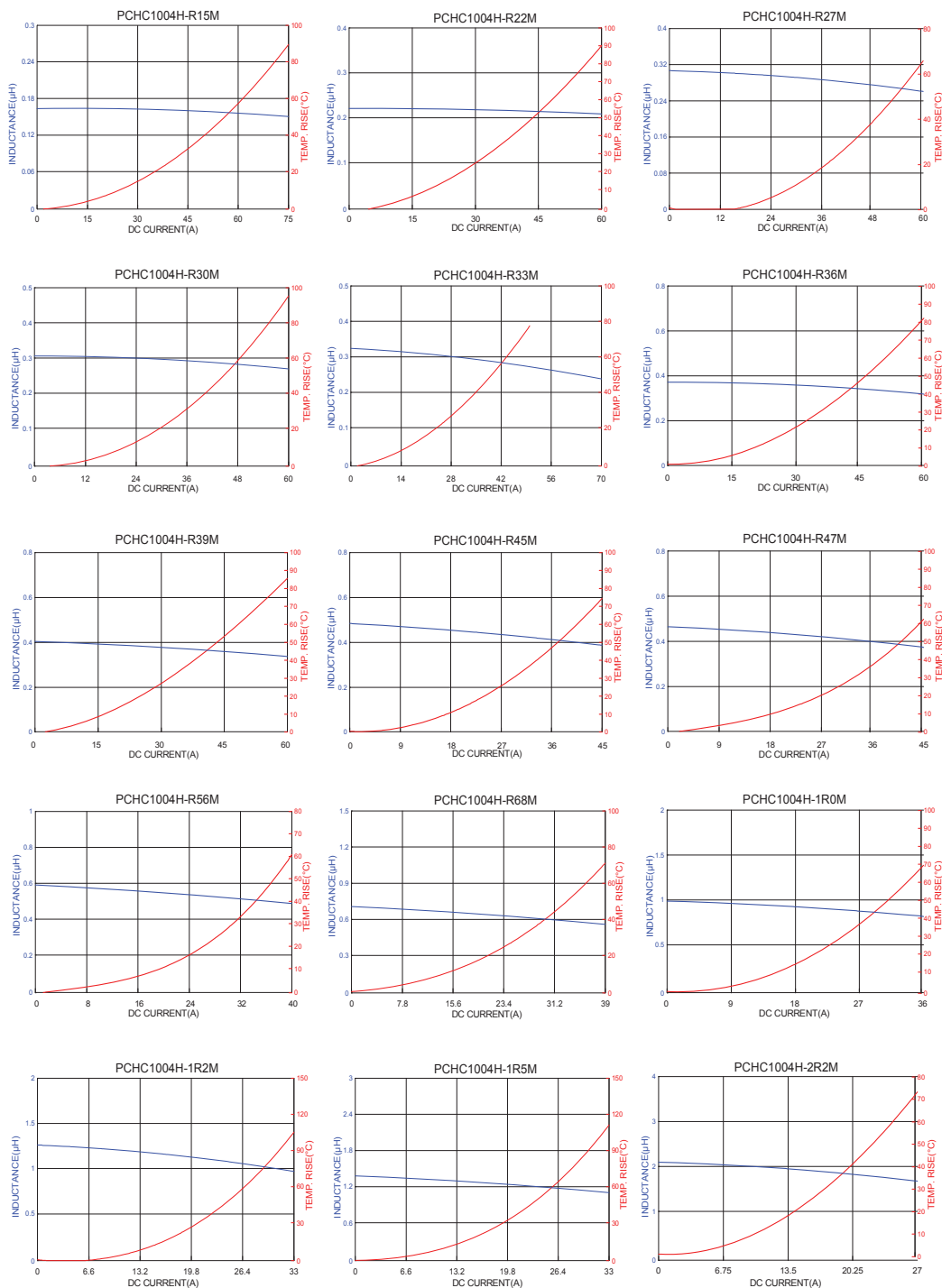
(L): HP4284A LCR meter or equivalent
 DCR: CH16502, Agilent 33420A Mirco-Ohmmeter

Physical

Packaging: 500 pieces per 13 inch reel.
Marking: EIA Inductance Code/ Date Code

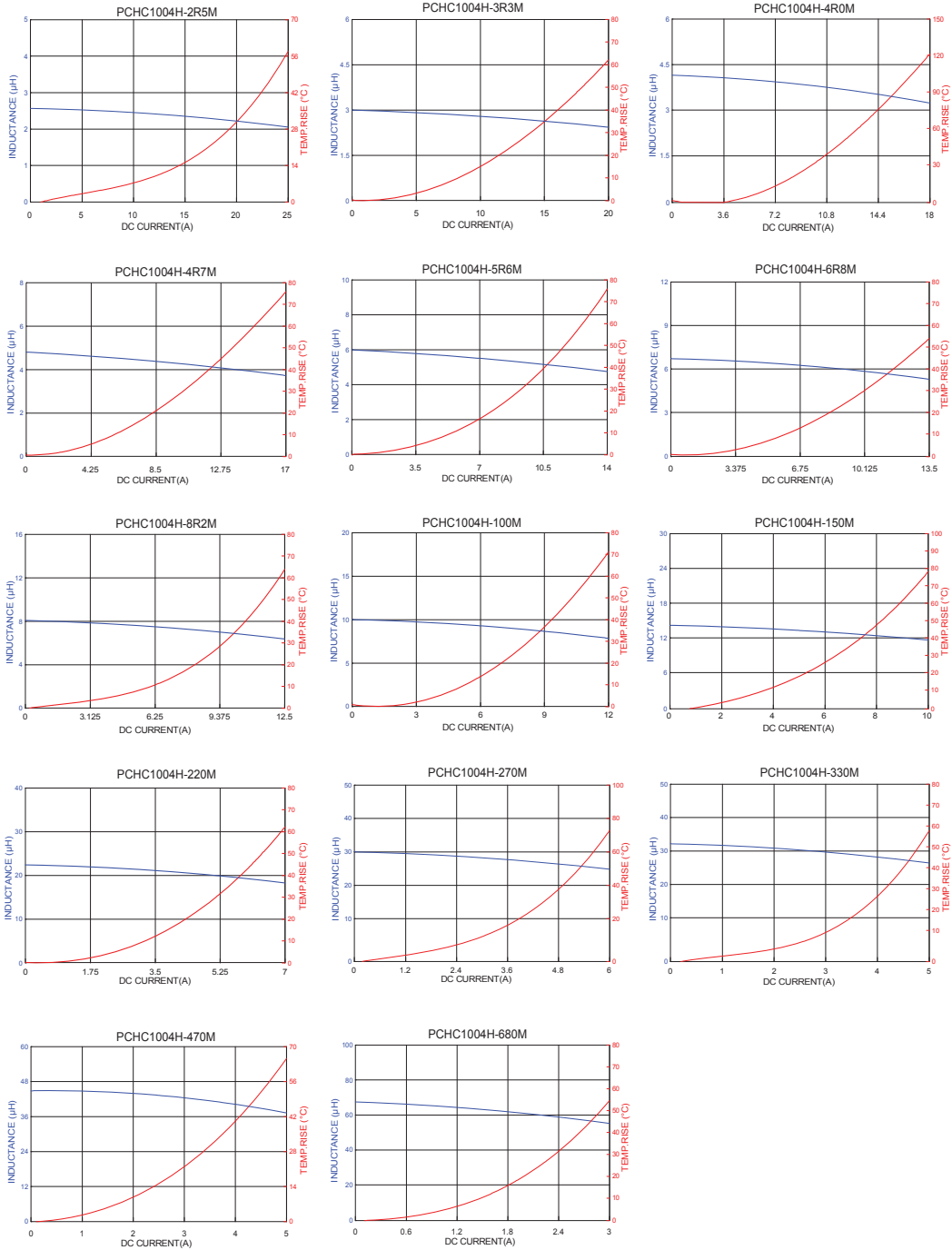


Typical Performance Curves





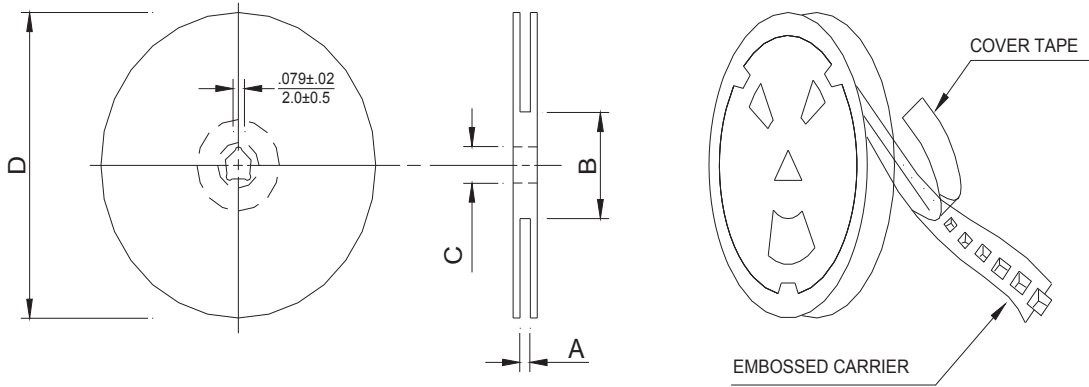
Typical Performance Curves





Packaging Information

Reel Dimension



A	B	C	D
.944±.019 24.0±0.5	3.93±.078 100±2	.531±.019 13.5±0.5	13 330

Tape Dimension

