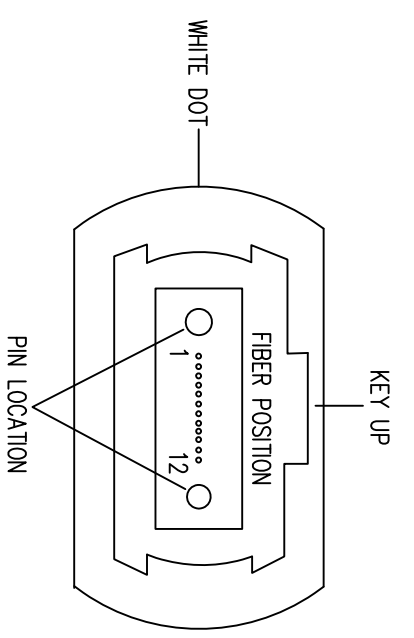
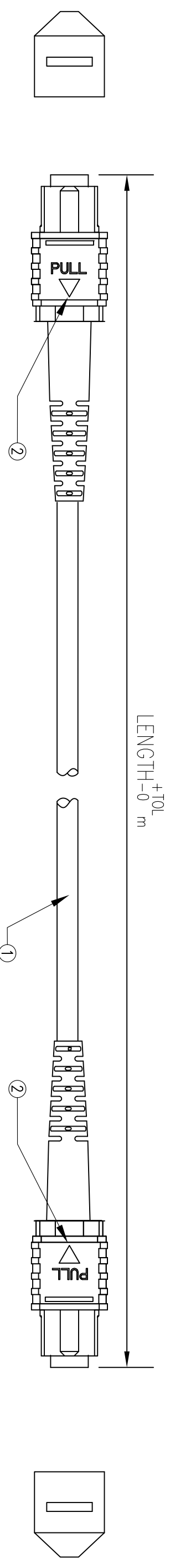


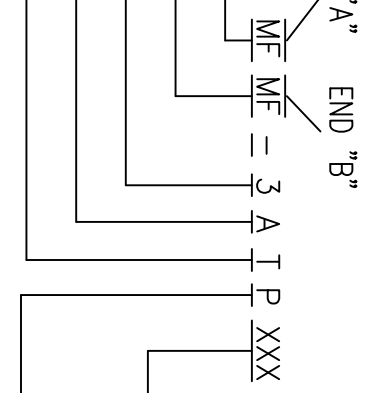
2

1

DATE	REV	ECN	APP'D. BY
7-23-21	A0	11785	ADB



MF: MPO FEMALE
MF: MPO FEMALE
3: MM 50/125 OM3
A: 12 FIBER
T: TIGHT



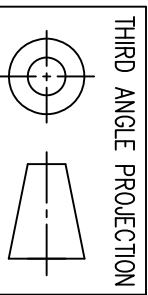
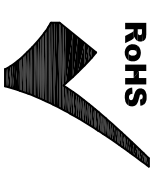
LENGTH (METERS)	010 = 1.0 M
	030 = 3.0 M
	050 = 5.0 M
	100 = 10.0 M
P: PVC	

LENGTH (M)	TOL. (M)
1.0	0.12
3.0	0.14
5.0	0.14
10.0	0.16

CONNECTOR PORT 1 POSITION	CONNECTOR PORT 2 POSITION	250um FIBER COLOR
1	1	BLUE
2	2	ORANGE
3	3	GREEN
4	4	BROWN
5	5	SLATE
6	6	WHITE
7	7	RED
8	8	BLACK
9	9	YELLOW
10	10	VIOLET
11	11	ROSE
12	12	AQUA

NOTES  
1. INSERTION LOSS REQUIREMENT: ≤0.6dB AT 1300nm

ITEM NO.	QTY	DESCRIPTION
1	A/R	CABLE, OPTICAL FIBER, MULTI-MODE, OM3, 50/125, 12 FIBER ROUND CABLE 3.0mm, TIGHT, AQUA, PVC(OFN) JACKET.
2	2	CONNECTOR, MPO, FEMALE, MULTI-MODE, AQUA COUPLING BLACK BOOT, BLACK CAP



THIRD ANGLE PROJECTION  
DO NOT SCALE DRAWING  
DRAWING IS SUBJECT TO CHANGE WITHOUT NOTICE  
DIMENSIONS: METRIC  
UNLESS OTHERWISE SPECIFIED TOLERANCES ARE ±0.13  
ANGLES ARE ± 1°

TITLE: **bel** 12 FIBER FEMALE MPO CABLE TYPE A

206 Van Vorst Street  
Jersey City, NJ 07302  
+1 201 432 0463  
<http://www.belfuse.com>

DRN BY: JMM	DATE: 7-21-21
APPR BY: ADB	DATE: 7-23-21
DWG NO. CT999262	REV. A0

2

1

AutocAD

A

A