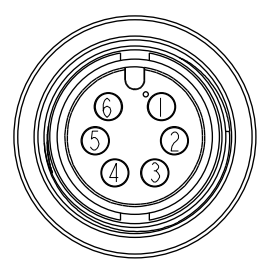
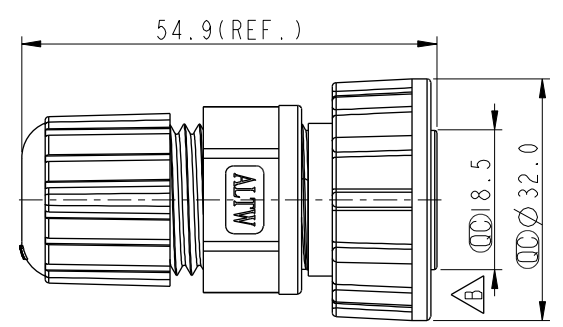
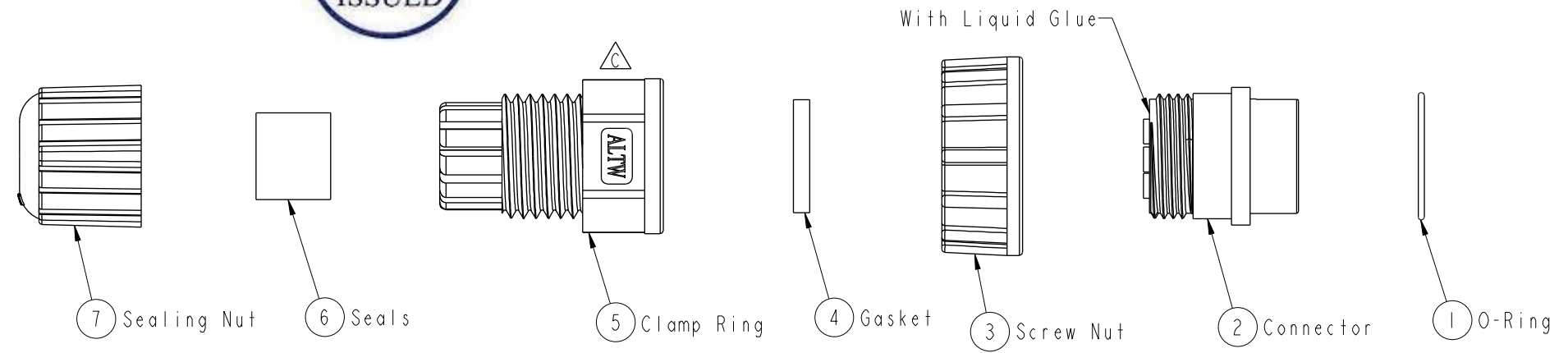


THIS DOCUMENT IS SUBJECT TO CHANGE WITHOUT NOTICE. IT IS CONFIDENTIAL AND A PROPERTY OF AMPHENOL LTW. DISCLOSURE TO THIRD PARTY HAS TO BE AUTHORIZED BY AMPHENOL LTW.

REV.	ECN NO.	DATE	SIGN	DESCRIPTION
B	LEN-890064	2008/09/05	Li Xiu Zhi	Change 18.0±0.25 To 18.5+0.00/-0.30
C	LEN1741281	2017/04/20	Vicky	Update Logo



Pin Assignments
Front View



- Note:
- * \varnothing Important Dimension
 - * Waterproof Rate: IP67
 - * Housing: Nylon+GF, Black
 - * Female Pin: Copper Alloy, Gold Plated
 - * Liquid Glue: Clear
 - * O-Ring: EPDM, Black
 - * Screw Nut: Nylon+GF, Black
 - * Gasket: Silicone, Black
 - * Clamp Ring: Nylon, Black
 - * Seals: EPDM, Black
 - * Sealing Nut: Nylon, Black
 - * Seal For Cable OD: \varnothing 5.5mm~10.8mm
 - * One Set Unassembled In One PE Bag

UNIT:mm		TITLE	Large
TOLERANCE	± 0.5 mm	Assy Screw 6Pin F Conn F Pin	
SCALE	1:1	SIZE	A4
REV.	C	WC-REV.	A.2
		\varnothing Inspection item	

Amphenol LTW
安費諾亮泰企業股份有限公司

ITEM NO	DC-06BFFA-SL7001	DRAWN BY	Vicky	DATE	2017-04-20
DWG NO	DC-06BFFA-SL7001	CHECKED BY	Rita	DATE	2017-04-20
CUSTOMER	ALTW	APPROVED BY	Max	DATE	2017-04-20