

Notes:

SPECIFICATION MATERIAL

- ② Insulator: Thermoplastic, Black, UL94V-0
- Contacts: BRASS
- Shell: Stainless Steel
- CONTACT PLATING**
- Underplate: 80u"~160u" Nickel
- Contact area: 30u" Pd-Ni+2u" Selective gold,
- Solder tails area: 100u"~200u" Tin (Lead Free)

ELECTRICAL

- Operation voltage: 20 V
- Current rating: 5 Amps max.
- Insulation resistance: 100 Mohms min @ 100 VDC
- Dielectric withstanding voltage: 100 VAC / minute
- Temperature range: -40°C TO +105°C

④ **MECHANICAL**

- Mating cycles: 10,000 insertions
- Insertion force: min. 5N to max. 20N
- Extraction force: min. 6N to max. 20N after 10,000 cycles
- Contact Resistance (EIA 364-23B): 40 mΩ (Max) initial for V_{bus}, GND and all other contacts.
- ⑤ USB1-DFN-PTR3: Tape & Reel, 700Pcs/Reel

RoHS compliant
Unit: mm

| Scale | Free | ⑤ | Obsolete Tray packing | 23.08.2019 | Winnie | | Date | Name | Customer-No. |
|------------------|-------|-----|---|------------|--------|----------|------------|--------|--|
| TOLERANCE | | ④ | Update mechanical character | 08.10.2018 | Xavier | Drawn | 30.10.2014 | Winnie | ASSMANN WSW-No. AUSB1-DFN-PTR3 |
| X. | ±0.50 | ③ | Change the packing quantities | 21.09.2017 | Fred | Approved | 23.08.2019 | Winnie | |
| X.X | ±0.30 | ② | Add flammability class of the insulator | 18.04.2017 | Winnie | | | | |
| X.XX | ±0.20 | ① | Add the detail packing quantities | 22.04.2016 | Winnie | | | | Drawing-No. ASS 7048 CO |
| DIM | TOL | ① | | | | | | | |
| X.° | ±2° | ① | | | | | | | rev05 |
| | | ① | | | | | | | |
| Angle | TOL | ① | | | | | | | Sheet 1/3 |
| | | ① | | | | | | | |
| | | Id. | Modification | Date | Name | | | | |
| | | | | | | | | | |



1

2

3

4

5

6

7

A

A

B

B

C

C

D

D

E

E

F

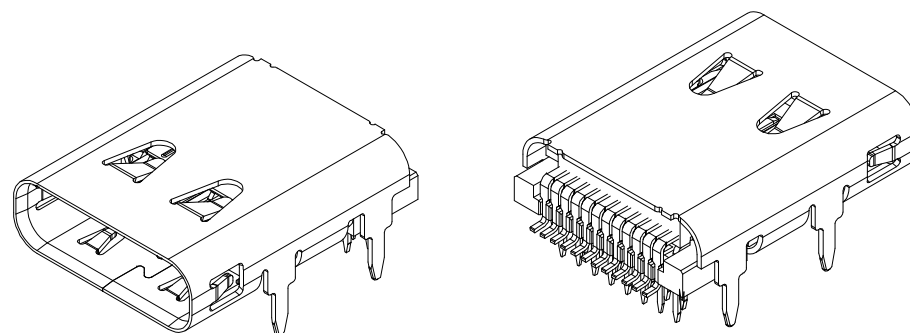
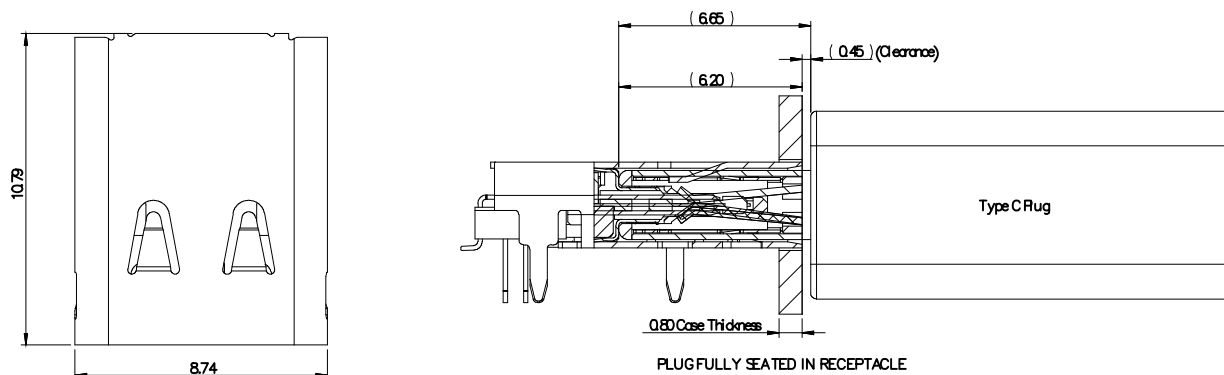
F

G

G

H

H



RoHS compliant
Unit: mm

| Scale | Free | ⑤ | Obsolete Tray packing | 23.08.2019 | Winnie | | Date | Name | Customer-No. | |
|------------------|-------|-----|---|------------|--------|---|------------|--------|--|--------------|
| TOLERANCE | | ④ | Update mechanical character | 08.10.2018 | Xavier | Drawn | 30.10.2014 | Winnie | ASSMANN WSW-No. AUSB1-DFN-PTR3 | |
| X. | ±0.50 | ③ | Change the packing quantities | 21.09.2017 | Fred | Approved | 21.09.2017 | Winnie | | |
| X.X | ±0.30 | ② | Add flammability class of the insulator | 18.04.2017 | Winnie | | | | | |
| X.XX | ±0.20 | ① | Add the detail packing quantities | 22.04.2016 | Winnie |  | | | Drawing-No. | |
| DIM | TOL | ① | Add the detail packing quantities | 22.04.2016 | Winnie | | | | | |
| X.° | ±2° | ① | Drawn | 30.10.2015 | Winnie | | | | Replace | Sheet 2/3 |
| Angle | TOL | Id. | Modification | Date | Name | | | | | |

1

2

3

4

5

6

7

SV3725
CON0735

1

2

3

4

5

6

7

A

A

B

B

C

C

D

D

E

E

F

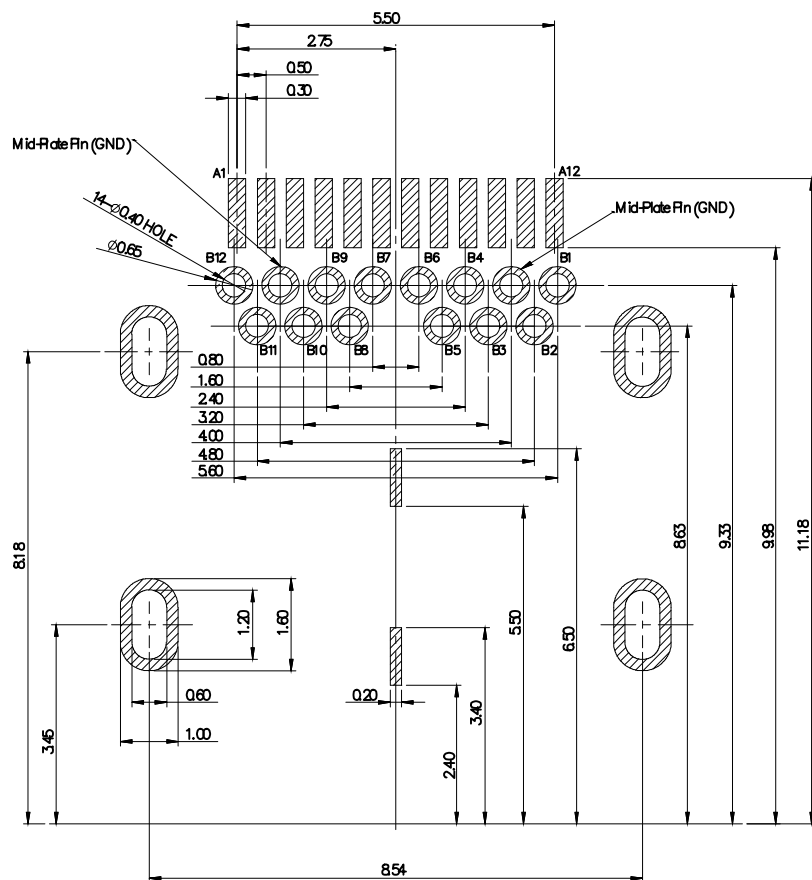
F

G

G

H

H



USB TYPE -C Pin Assignments

| RnNumber | Signal Name | Pin Number | Signal Name |
|----------|-------------|------------|-------------|
| A1 | GND | B1 2 | GND |
| A2 | SSTXp1 | B1 1 | SSRXp1 |
| A3 | SSTXn1 | B1 0 | SSRXn1 |
| A4 | VBUS | B9 | VBUS |
| A5 | CC1 | B8 | SBU2 |
| A6 | Dp1 | B7 | Dn2 |
| A7 | Dn1 | B6 | Dp2 |
| A8 | SBU1 | B5 | CC2 |
| A9 | VBUS | B4 | VBUS |
| A1 0 | SSRXn 2 | B3 | SSTXn2 |
| A1 1 | SSRXp 2 | B2 | SSTXp2 |
| A1 2 | GND | B1 | GND |

Recommended PCB Layout
Tolerance ± 0.05
PCB Thickness=1.00 For Dim-A 1.50 solder Tail

RoHS compliant
Unit: mm

| Scale | Free | ⑤ | Obsolete Tray packing | 23.08.2019 | Winnie | | Date | Name | Customer-No. |
|------------------|---------------|-----|---|------------|--------|----------------------------------|-------------|-----------|--|
| TOLERANCE | | ④ | Update mechanical character | 08.10.2018 | Xavier | Drawn | 30.10.2014 | Winnie | ASSMANN WSW-No. AUSB1-DFN-PTR3 |
| X. | ± 0.50 | ③ | Change the packing quantities | 21.09.2017 | Fred | Approved | 23.08.2019 | Winnie | |
| X.X | ± 0.30 | ② | Add flammability class of the insulator | 18.04.2017 | Winnie | | | | |
| X.XX | ± 0.20 | ① | Add the detail packing quantities | 22.04.2016 | Winnie | ASSMANN WSW components | Drawing-No. | | ASS 7048 CO rev05 |
| DIM | TOL | ① | Add the detail packing quantities | 22.04.2016 | Winnie | | Drawing-No. | | |
| X.° | $\pm 2^\circ$ | ① | Drawn | 30.10.2015 | Winnie | Replace | | Sheet 3/3 | |
| Angle | TOL | Id. | Modification | Date | Name | | | | |

1

2

3

4

5

6

7