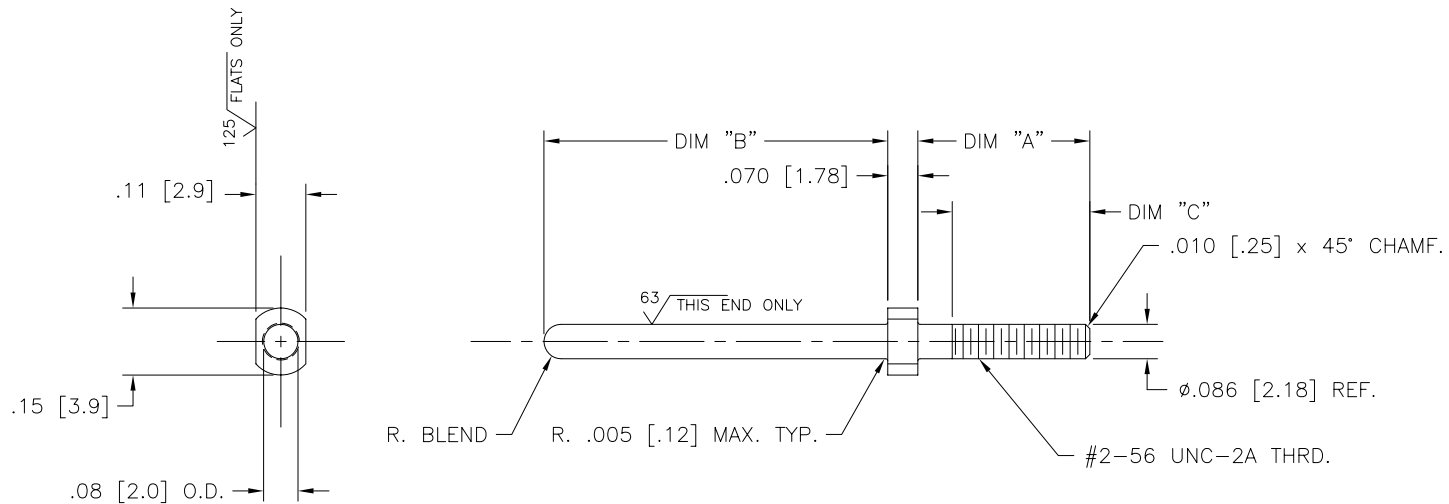


PRODUCT NO. NOTE 8	DIM "A"	DIM "B"	MATERIAL	DIM "C"*	SHEET NO.	APPLICATION NOTES
77031-102 77031-102LF	.37/9.5	.585/14.86	STAINLESS STEEL AISI 430 or 416	.320/8.13	SEE SHT. 2	3
77031-103 77031-103LF	.50/12.7	.585/14.86		.320/8.13	SEE SHT. 3	4
77031-106 77031-106LF	.43/10.9	.585/14.86		.320/8.13	SEE SHT. 4	5
77031-113 77031-113LF	.75/19.1	.585/14.86		.320/8.13	SEE SHT. 5	6 AND 7

* MINIMUM THREAD LENGTH

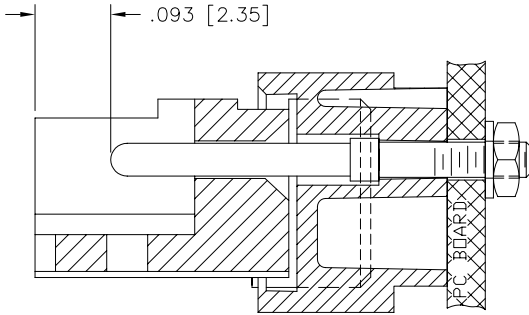
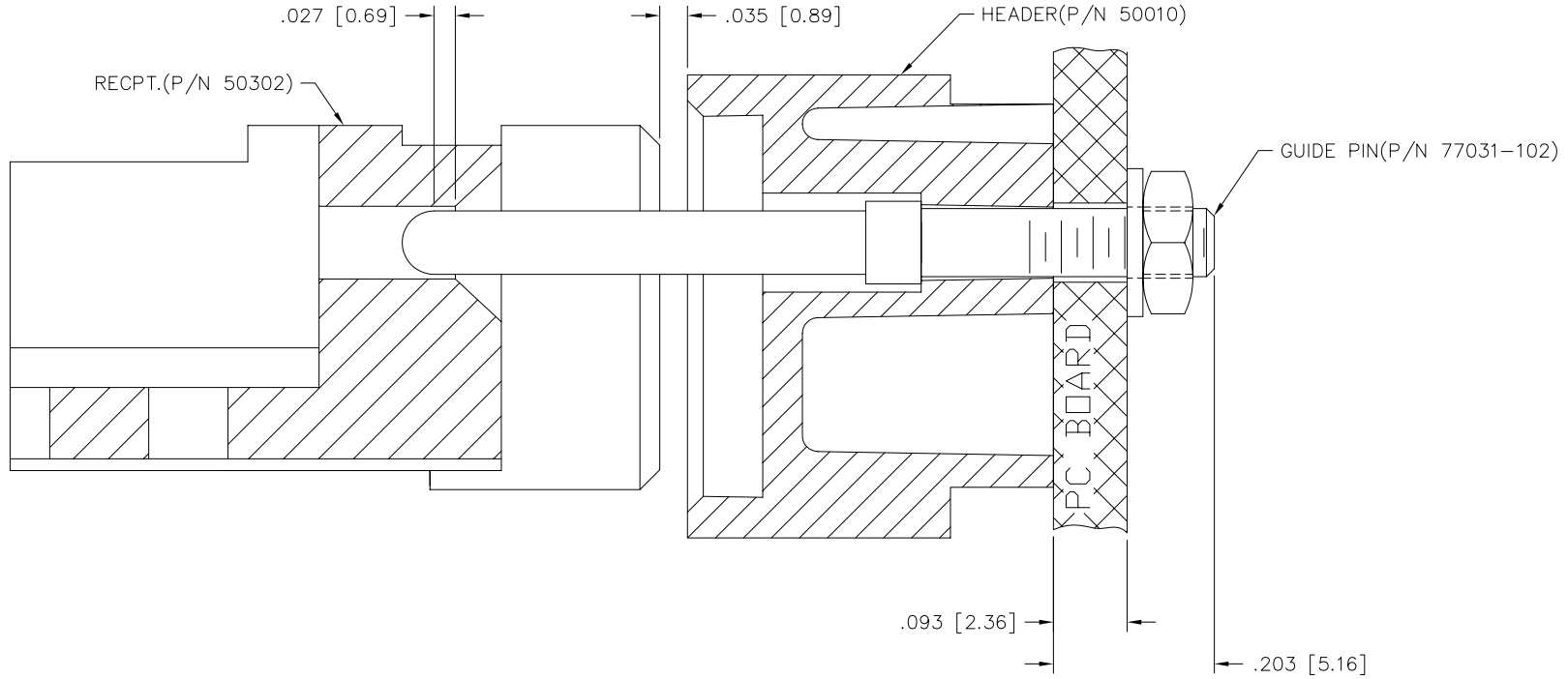


NOTES:


- MECHANICAL GUIDANCE ONLY.
- GUIDE PIN IS .027 [.68] LONGER THAN WHAT IS REQUIRED TO ALIGN CONNECTORS WHEN HOUSING FACES ARE .035 [.88] APART.
- SHROUD CAN'T BE USED WITH THIS GUIDE PIN.
- GUIDE PIN MAY BE USED WITH A SHROUD OR SCREWED TO A .187 [4.74] PCB.
- GUIDE PIN MAY BE USED WITH...
... SHROUD AND .125 [3.17] PCB.
... NUT, WASHER, AND .125 [3.17] PCB.
- GUIDE PIN MAY USE SHROUD OR SCREW.
APPLICATION MAY USE MOUNTING FRAME.
- MAXIMUM STACK IS .480 [12.20].
- ADD AN LF SUFFIX TO PART NUMBERS FOR PRODUCT THAT MEETS EUROPEAN UNION DIRECTIVES AND OTHER COUNTRY REGULATIONS AS DESCRIBED IN GS-22-008.
- THIS PRODUCT IS NOT INTENDED TO BE EXPOSED TO MANUFACTURING SOLDER PROCESSES.

mat'l. code		surface		tolerance		projection		product family	
SEE TABLE		ISO 1302 ✓		ISO 406 ISO 1101		INCH/MM		HPC	
ltr	ecm	no	dr	date	tolerances unless otherwise specified		title		
D	V20385	MRC		3/27/92	angles	.XX±.01/.3	CENTER GUIDE PIN		
E	V32128	GIP		11/18/93	linear	.xxx±.005/.13	scale 1:1		
F	v00717	LSS		3/22/00	0'±2'	.xxx±.0020/.05	sheet 1 of 5 size		
G	v05-0964	HTB		10/18/05	dr	LSANDERS	3/22/00	dwg no	
H	M06-0260	MHT		7/07/06	enr	M.GRAY	3/22/00	77031	
					chr	M.GRAY	3/22/00	A3	
					appd	M.GRAY	3/22/00	type Product Customer Drawing	
sheet	revision	H	H	H	H	H	H		
index	sheet	1	2	3	4	5			

PRODUCT NO.
77031-102



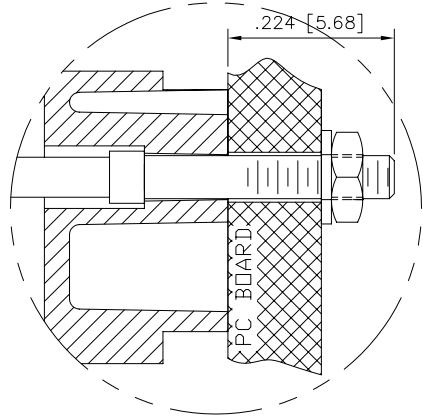
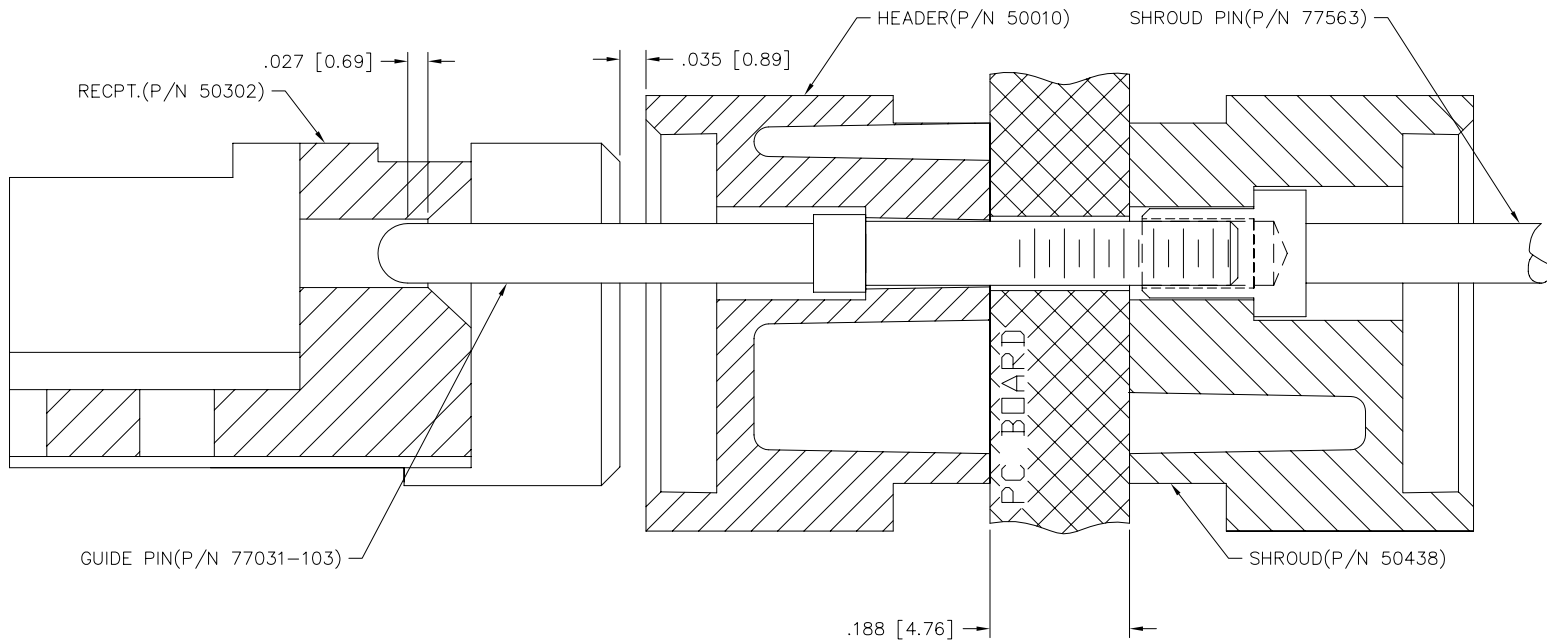
HOUSINGS FULLY MATED
(SCALE 20:1)

mat'l. code SEE TABLE		surface ISO 1302 ✓	tolerance ISO 406 ISO 1101	projection ⊕	product family HPC
ltr	ecn no	dr	date	tolerances unless otherwise specified	title
H				angles linear 0°±2'	INCH/MM CENTER GUIDE PIN
				.XX±.01/.3 .XXX±.005/.13 .XXX±.0020/.051	scale 1:1
		dr	LSANDERS	3/22/00	
		enr	M.GRAY	3/22/00	
		chr	M.GRAY	3/22/00	
		appd	M.GRAY	3/22/00	
sheet index	revision sheet				dwg no 77031
					sheet 2 of 5 size A3
					type Product Customer Drawing


FCJ
FCJconnect.com

Copyright FCJ

PRODUCT NO
77031-103

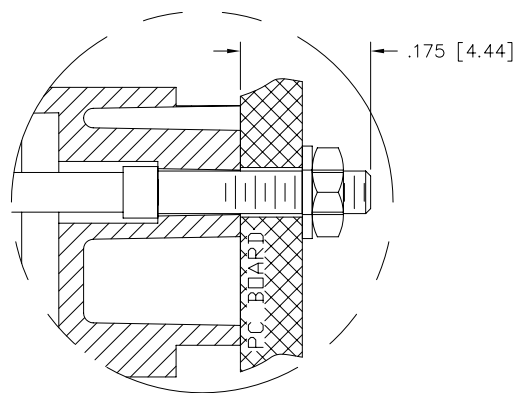
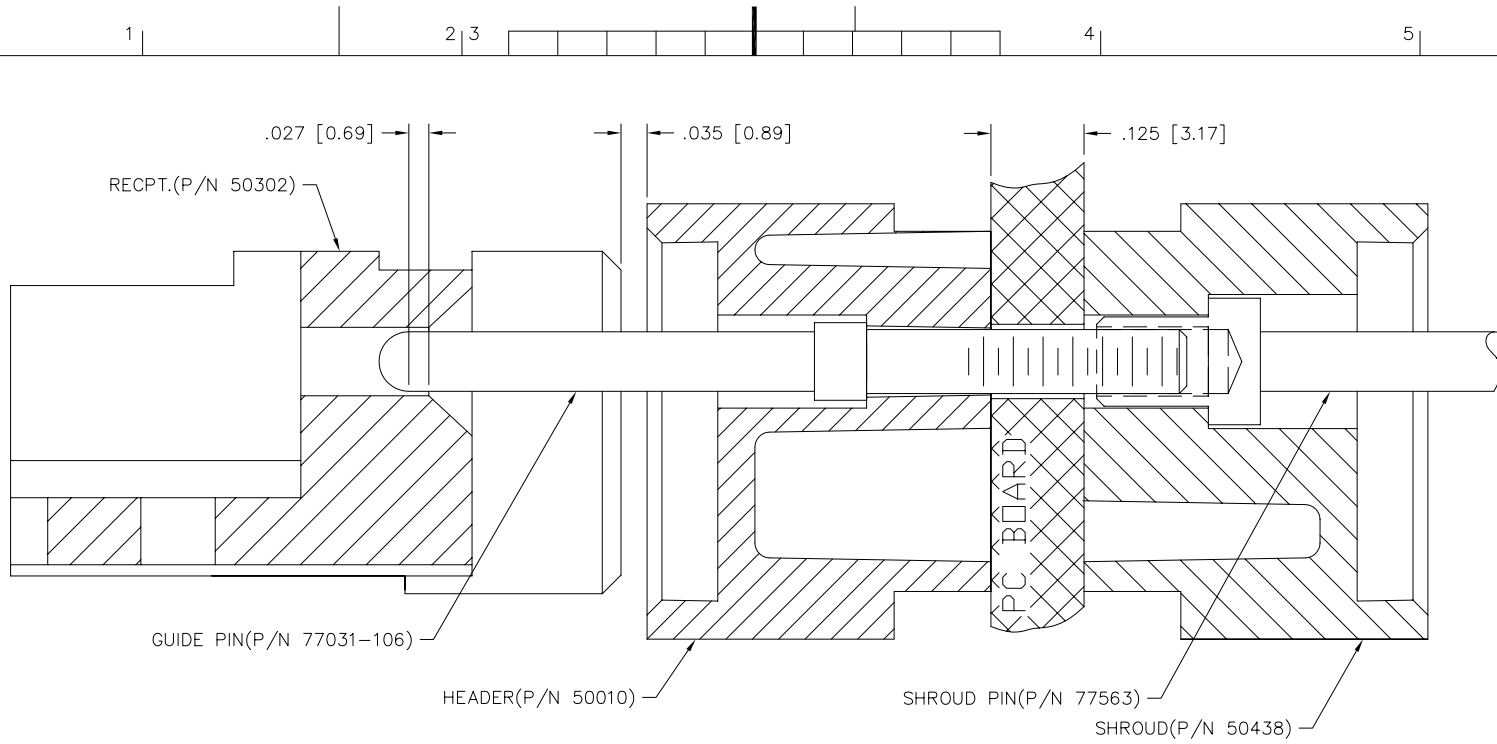


BOARD MOUNTED OPTION
(SCALE 30:1)

mat'l. code SEE TABLE		surface ISO 1302 ✓	tolerance ISO 406 ISO 1101	projection ASME Y14.5	product family HPC
ltr	ecm no	dr	date	tolerances unless otherwise specified	title
H				angles linear 0°±2'	INCH/MM CENTER GUIDE PIN
				.xx±.01/.3 .xxx±.005/.13 .xxxx±.0020/.051	scale 1:1
		dr	LSANDERS	3/22/00	
		enr	M.GRAY	3/22/00	
		chr	M.GRAY	3/22/00	
		appd	M.GRAY	3/22/00	
sheet index	revision sheet				dwg no 77031 sheet 3 of 5 size A3 type Product Customer Drawing

FCJ
FCJconnect.com
Copyright FCJ

PRODUCT NO
77031-106



SCREW MOUNTED OPTION
(SCALE 30:1)

mat'l. code SEE TABLE		surface ISO 1302 ✓	tolerance ISO 406 ISO 1101	projection ASME	product family HPC
ltr	ecn no	dr	date	tolerances unless otherwise specified	title
H				angles linear .XX±.01/.3 .xxx±.005/.13 .xxxx±.0020/.051	INCH/MM
				0°±2'	scale 1:1
		dr	LSANDERS	3/22/00	
		enr	M.GRAY	3/22/00	
		chr	M.GRAY	3/22/00	
		appd	M.GRAY	3/22/00	
sheet index	revision sheet				dwg no 77031 sheet 4 of 5 size A3 type Product Customer Drawing

Copyright FCI
 FCIconnect.com

PRODUCT NO
77031-113

GUIDE PIN(P/N 77031-113)

HEADER(P/N 50010)

RECPT.(P/N 50302)

.027 [0.69]

.035 [0.89]

.583 [14.81]
MAX. STACK

PC BOARD

MOUNTING
FRAME



Copyright FCI

mat'l. code SEE TABLE		surface ISO 1302 ✓	tolerance ISO 406 ISO 1101	projection ⊕	product family HPC
ltr	ecn no	dr	date	tolerances unless otherwise specified	title
H				angles linear 0°±2'	INCH/MM CENTER GUIDE PIN
				.xx±.01/.3 .xxx±.005/.13 .xxxx±.0020/.05	scale 1:1
		dr	LSANDERS	3/22/00	
		enr	M.GRAY	3/22/00	
		chr	M.GRAY	3/22/00	
		appd	M.GRAY	3/22/00	
sheet index	revision sheet				dwg no 77031 sheet 5 of 5 size A3 type Product Customer Drawing

form: A3