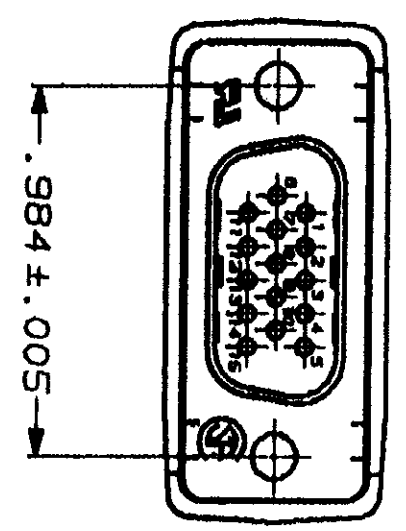
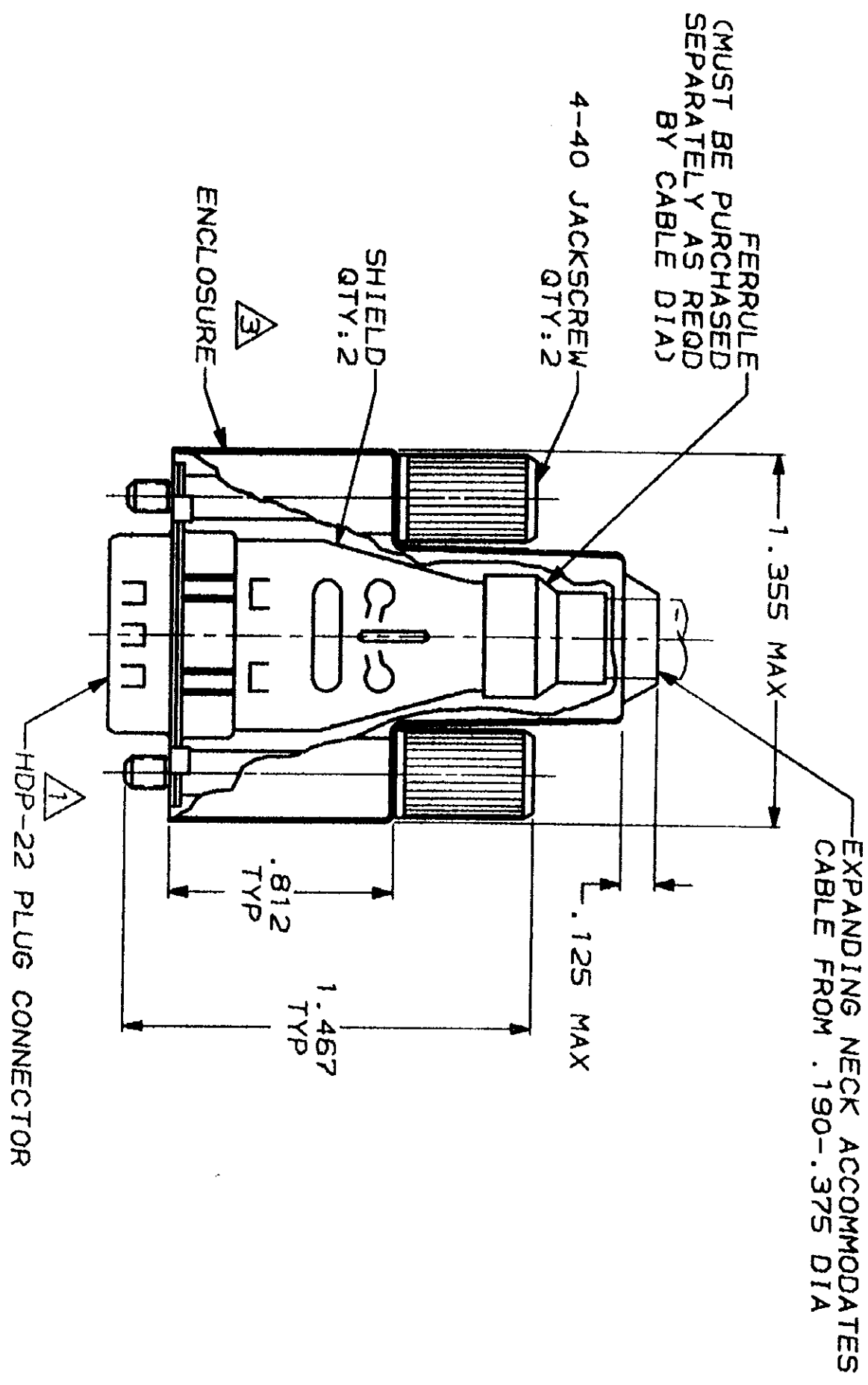


MOD	ECO	DIS	ZONE	LTR	DESCRIPTION	DATE	APPD
2	BD	39		E	REDRAWN AND REV ECN B05049	7-3-91	TMS
				F	REVISED PER ECN B06133	04/02/92	TMS



1. PLUG ACCEPTS SIZE 22 DF PIN CONTACTS. CONTACTS MUST BE PURCHASED SEPARATELY.
2. ALL PARTS SHIPPED UNASSEMBLED.
3. FLAME RETARDANT 94V-0 RATED, STYRENE POLYOLEFIN OR PVC, BLACK.
4. FLAME RETARDANT 94V-0 RATED GLASS FILLED, NYLON OR POLYESTER, BLACK.
5. STEEL PER ASTM A109.
6. TIN PLATING PER MIL-T-10727.
7. ZINC PLATING PER ASTM B633, TYPE II, CLASS SCI, BLACK CHROMATE.
8. COMPONENTS INDIVIDUALLY BULK PACKED.
9. INDIVIDUAL KIT PACKAGING OF COMPONENTS.

DO NOT SCALE PRINT. UNLESS SPECIFIED DIMENSIONS IN INCHES TOLERANCES ON: 1. ALL DIMENSIONS 2. PLC DEC # .020 3. PLC DEC # .020 ANGLES	DR 7-3-91 R. SHIREY CHK 8-2-91 R. STONE APPD 8-5-91 T. M. SPANGLER APPD 8-7-91 J. ASSINI PRODUCT SPEC	NAME SHIELDING ENCLOSURE KIT, PLUG, SIZE 1, 15 POSN, HDP-22, AMPLIMIT™
FINISH SHELLS & SHIELDS, JACKSCREWS, ZINC ALLOY	APPLICATION SPEC	SIZE FSCM NO 00779
WEIGHT	SCALE 2:1	DRAWING NO 748473

OBSELETE	748473-2
	748473-1
PACKAGING	PART NUMBER