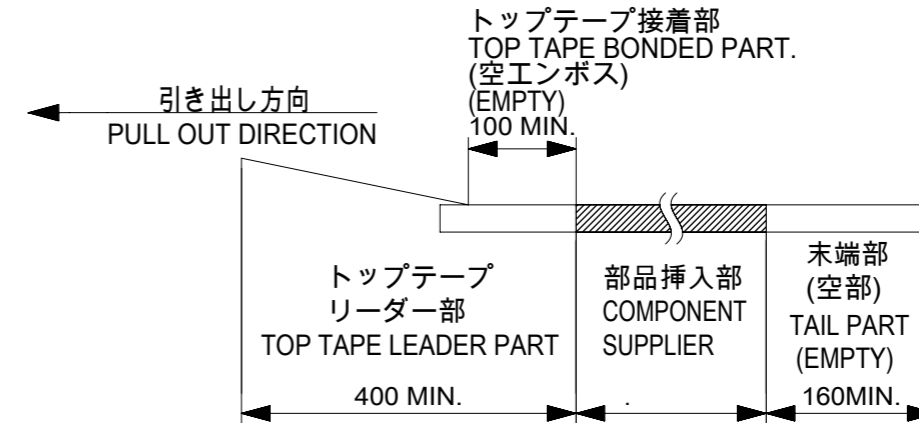
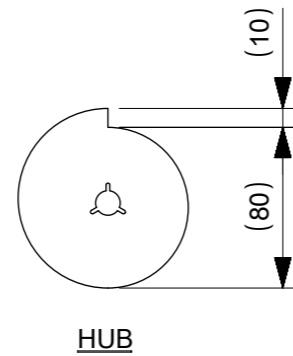
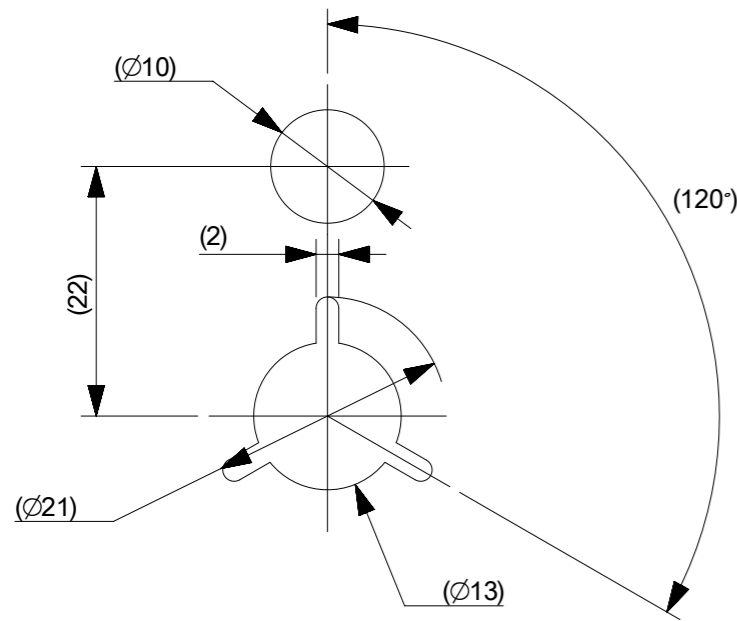
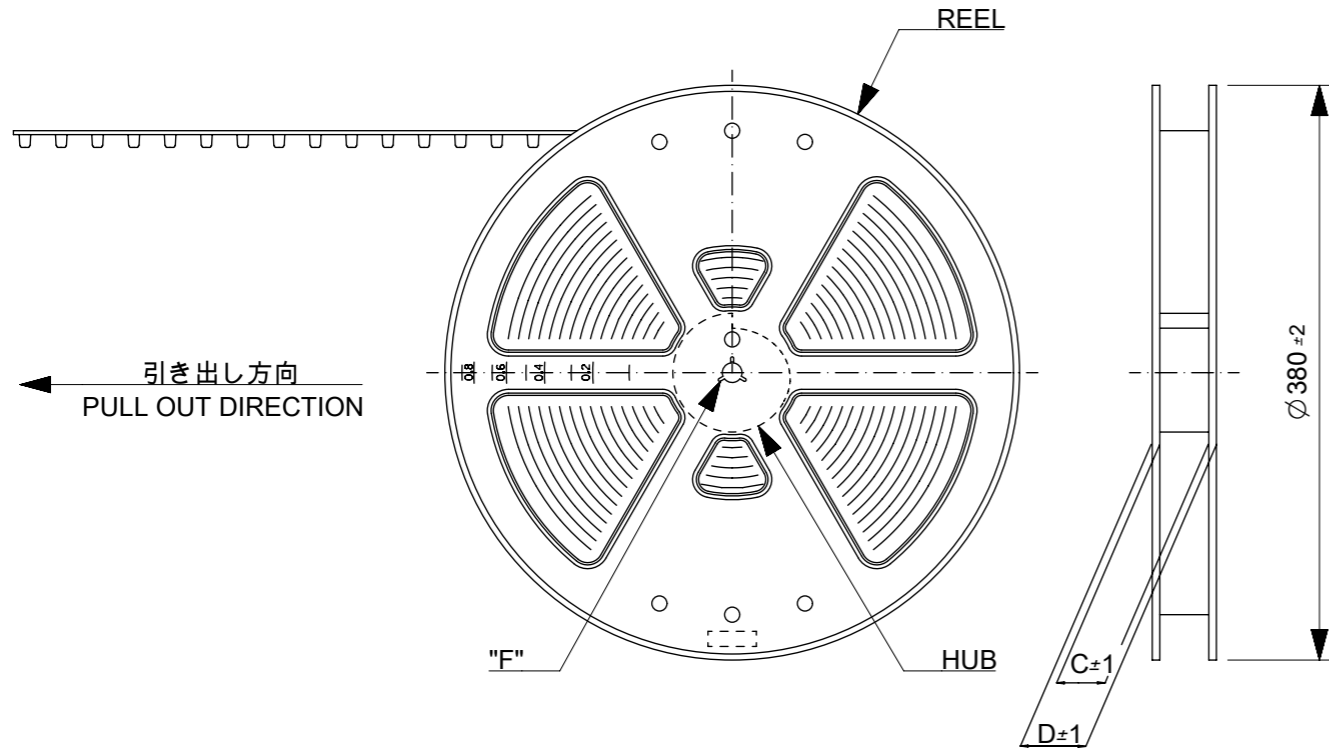


NOTES

1. 梱包数量 : 900個 / リール  
NUMBER OF CONNECTORS : 900 PCS/REEL.
2. リードテープ長さ  
LEAD TAPE LENGTH.



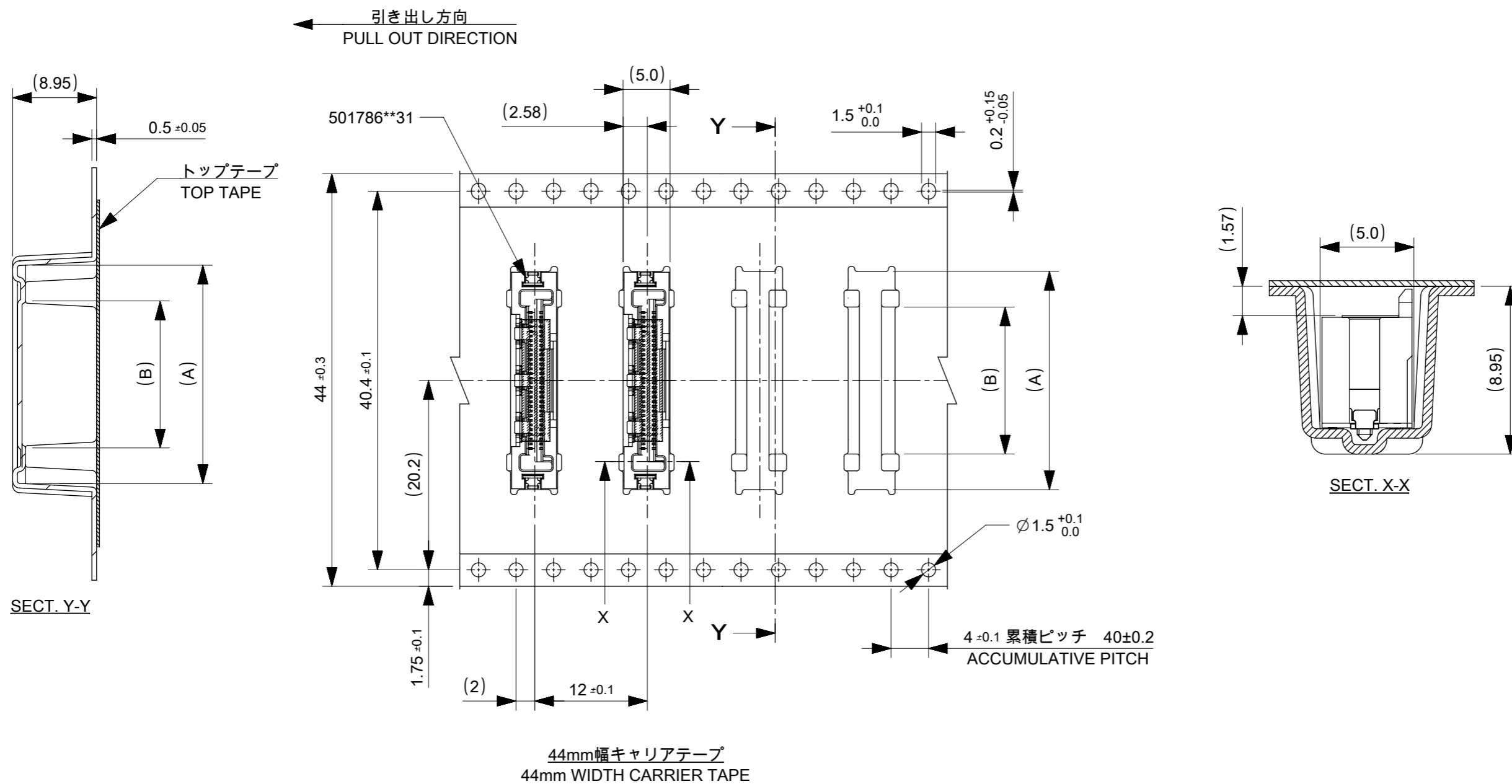
3. 製品詳細寸法については図面 5017861002 DOC.PART 000を参照下さい。  
RE DETAILED DIMENSION, SEE 5017861002 DOC.PART 000.
4. 材料(MATERIAL)  
キャリアテープ(CARRIER TAPE) : ポリスチレン(POLYSTYRENE)  
トッptape(TOP TAPE) : PET, PE, PE  
リール(REEL) : ポリスチレン(POLYSTYRENE) リサイクル材を含む  
RECYCLE MATERIAL CONTAINED



DETAIL "F"

501786\*\*91 MODEL NO.

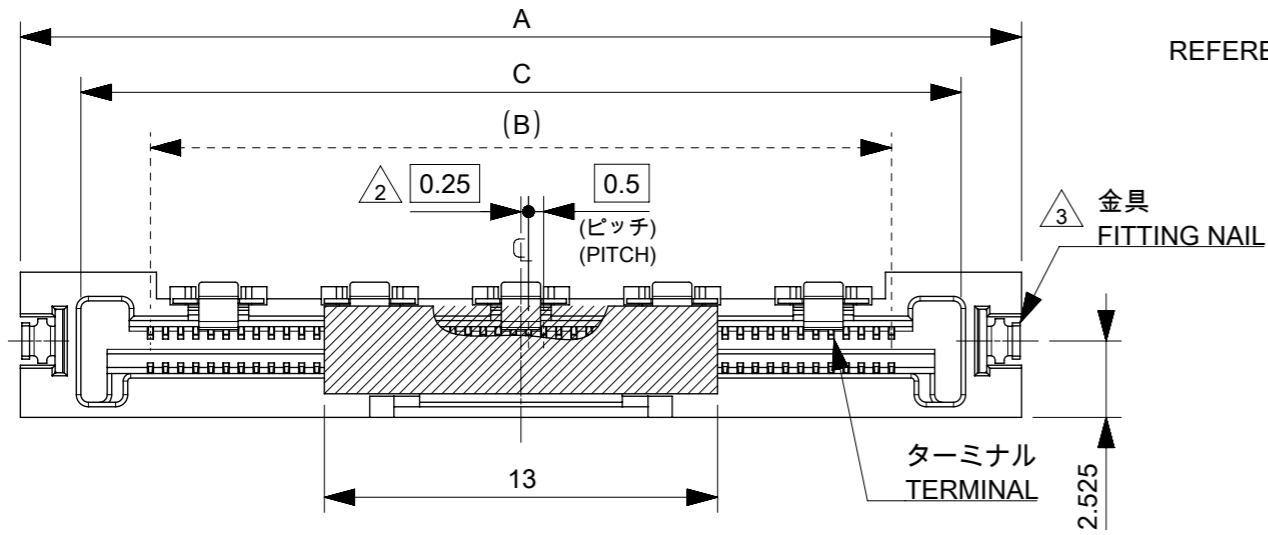
THIS DRAWING CONTAINS INFORMATION THAT IS PROPRIETARY TO MOLEX ELECTRONIC TECHNOLOGIES, LLC AND SHOULD NOT BE USED WITHOUT WRITTEN PERMISSION										
EC NO: 116288 DRWN: VLM CHK'D: YKOBAYASHI02 APPR: TKUSUHARA01	2016/02/17 2017/04/28 2017/04/28		GENERAL TOLERANCES (UNLESS SPECIFIED)		DIMENSION UNITS	SCALE				
			ANGULAR TOL ± 3.0 °		MM	1:1				
			4 PLACES ± 0.2	VLM		DATE		EMBSTP PKG FOR 0.5 FFC TO BOARD ST TYPE		
			3 PLACES ± 0.2	CHK'D BY		DATE				
			2 PLACES ± 0.25	YKOBAYASHI02		2017/04/28				
		1 PLACE ± 0.3	APPR BY		DATE		PRODUCT CUSTOMER DRAWING			
		0 PLACES ± 0.3	TKUSUHARA01		2017/04/28					
		DRAFT WHERE APPLICABLE MUST REMAIN WITHIN DIMENSIONS		DRAWING SIZE	THIRD ANGLE PROJECTION		SERIES	MATERIAL NUMBER	CUSTOMER	
				A3			501786	SEE CHART	GENERAL MARKET	
						DOCUMENT NUMBER		DOC TYPE	DOC PART	SHEET NUMBER
						5017860002		PSD	000	1 OF 2



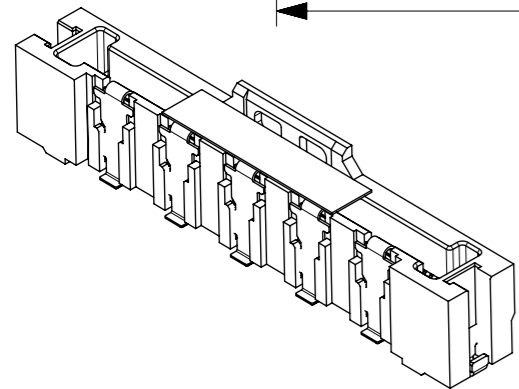
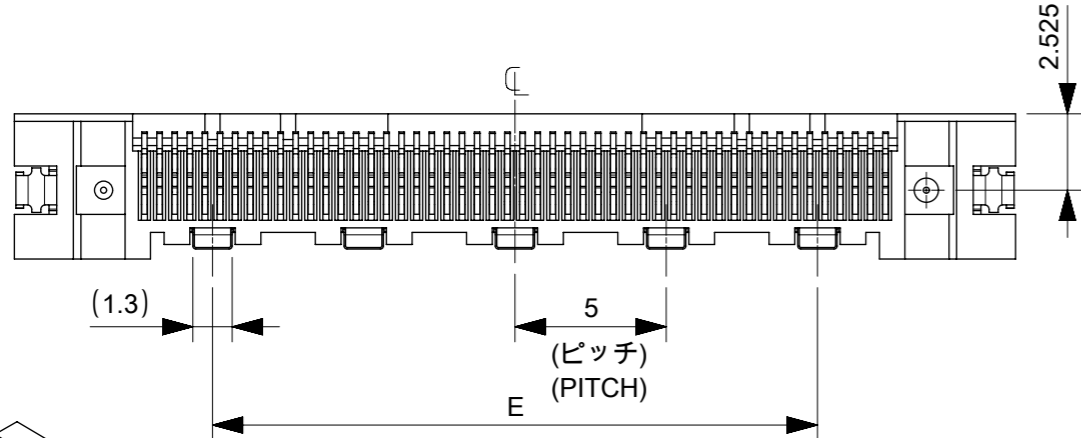
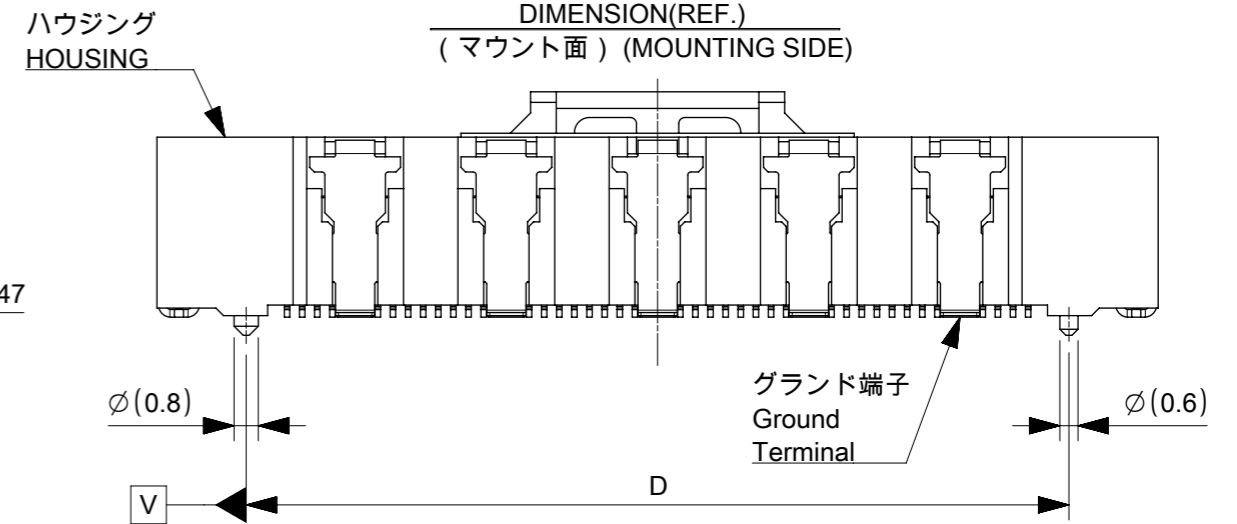
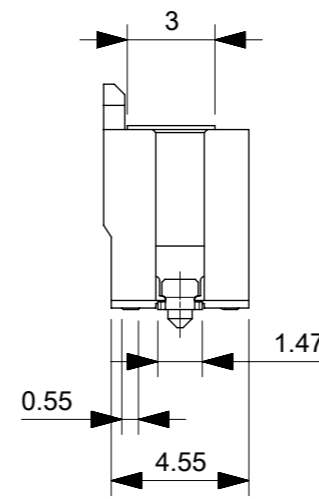
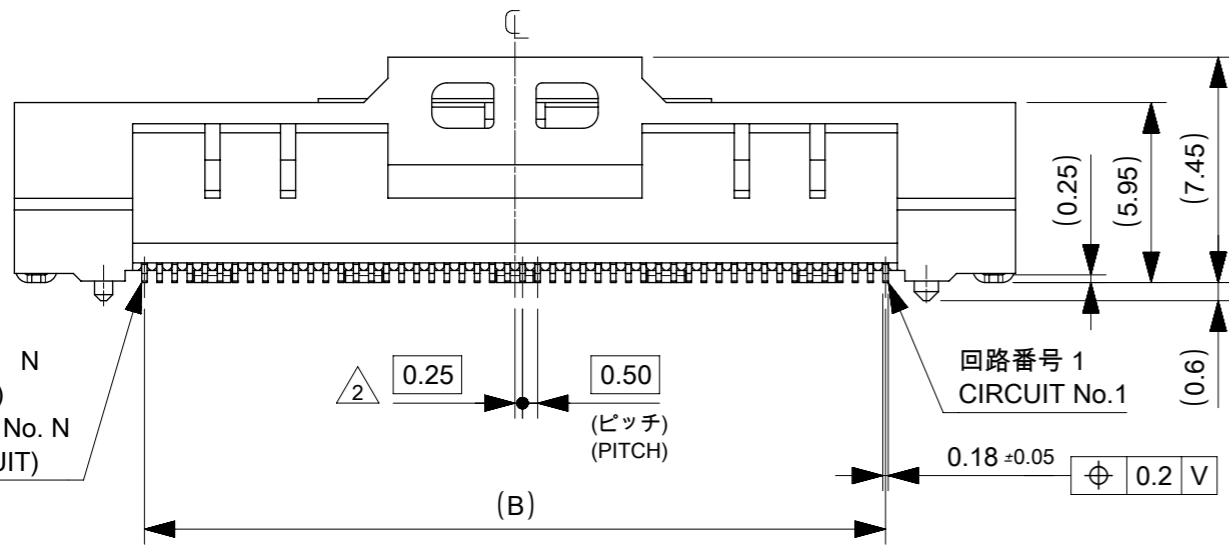
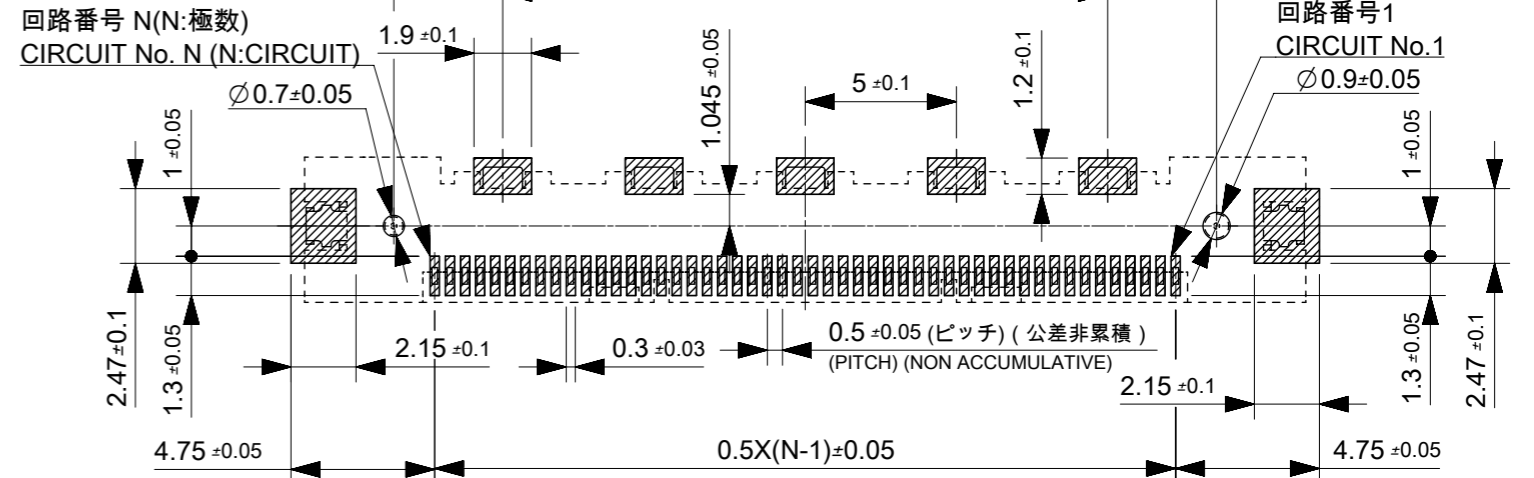
56	61.4	57.4	25.68	33.3	5017865091	50	
44	49.4	45.4	15.68	23.3	5017863091	30	
キャリアテープ幅 CARRIER TAPE WIDTH		D	C	B	A	製品番号 MATERIAL NO.	極数 CKT

THIS DRAWING CONTAINS INFORMATION THAT IS PROPRIETARY TO MOLEX ELECTRONIC TECHNOLOGIES, LLC AND SHOULD NOT BE USED WITHOUT WRITTEN PERMISSION

EC NO: 116288 DRWN: VLM CHK'D: YKOBAYASHI02 APPR: TKUSUHARA01	2016/02/17	GENERAL TOLERANCES (UNLESS SPECIFIED)		DIMENSION UNITS	SCALE				
	2017/04/28	ANGULAR TOL ± 3.0 °		MM	1:1				
	2017/04/28	4 PLACES ± 0.2	DRWN BY	DATE					
		3 PLACES ± 0.2	VLM	2016/02/17					
	2 PLACES ± 0.25	CHK'D BY	DATE		EMBSTP PKG FOR 0.5 FFC TO BOARD ST TYPE				
	1 PLACE ± 0.3	YKOBAYASHI02	2017/04/28						
	0 PLACES ± 0.3	APPR BY	DATE						
		TKUSUHARA01	2017/04/28		PRODUCT CUSTOMER DRAWING				
		DRAFT WHERE APPLICABLE MUST REMAIN WITHIN DIMENSIONS		DRAWING SIZE	THIRD ANGLE PROJECTION	SERIES	MATERIAL NUMBER	CUSTOMER	
				A3		501786	SEE CHART	GENERAL MARKET	
						DOCUMENT NUMBER	DOC TYPE	DOC PART	SHEET NUMBER
						5017860002	PSD	000	2 OF 2



参考マスク厚 : 120 $\mu$ m  
 REFERENCE SCREEN THICKNESS : 120 $\mu$ m  
 参考マスク開口率 : 100%  
 REFERENCE SCREEN OPEN RATIO : 100%

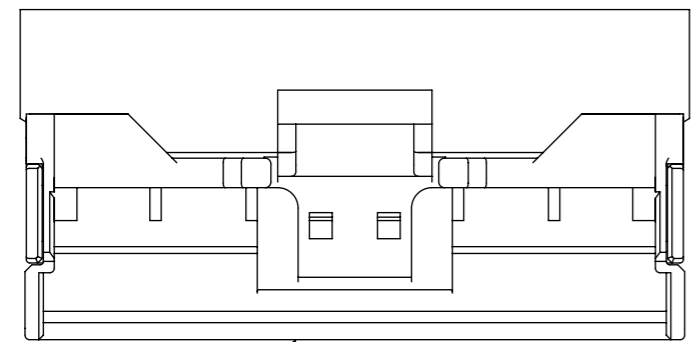


5	20	27.2	29.1	24.5	33.1	5017865091	50
QTY OF GROUND TERM						EMBOSSED TAPE PKG	極数
						ORDER No. オーダー番号	CIRCUIT

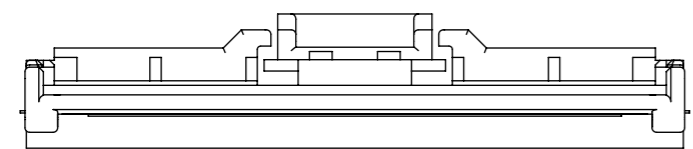
CONNECTOR SERIES No. 501786\*\*31

THIS DRAWING CONTAINS INFORMATION THAT IS PROPRIETARY TO MOLEX ELECTRONIC TECHNOLOGIES, LLC AND SHOULD NOT BE USED WITHOUT WRITTEN PERMISSION

REVISED	2017/12/20	GENERAL TOLERANCES (UNLESS SPECIFIED)	DIMENSION UNITS	SCALE	<b>molex</b>	
	2017/12/22		mm	4:1		
	2017/12/25		ANGULAR TOL $\pm 3.0^\circ$	DRWN BY		DATE
	4 PLACES $\pm 0.2$		NKURAHATTI	2016/03/21		
EC NO: 169864	DRWN: YCHEN128	DRAFT WHERE APPLICABLE MUST REMAIN WITHIN DIMENSIONS	3 PLACES $\pm 0.2$	CHK'D BY	DATE	
	CHK'D: KTAKAHASHI		YKOBAYASHI02	2017/04/28		
	2 PLACES $\pm 0.25$		APPR BY	DATE		
	1 PLACE $\pm 0.3$		TKUSUHARA01	2017/04/28		
D	REV	APPR: NUKITA	0 PLACES $\pm 0.3$	DRAWING SIZE	THIRD ANGLE PROJECTION	
			A3			
PRODUCT CUSTOMER DRAWING		SERIES	MATERIAL NUMBER	CUSTOMER		
		501786	SEE CHART	GENERAL MARKET		
DOCUMENT NUMBER		DOC TYPE	DOC PART	SHEET NUMBER		
5017861002		PSD	003	1 OF 2		



4 ジャケット  
JACKET



注記  
NOTE

1. 使用材料 MATERIAL  
ハウジング

: 液晶ポリマー ( LCP ), ガラス充填,  
ULV94-0 色: 黒色  
LIQUID CRYSTAL POLYMER(LCP),  
GLASS FILLED, UL94V-0 COLOR: BLACK

ターミナル  
TERMINAL

: 燐青銅 ( t = 0.18 )  
PHOSPHOR BRONZE ( t = 0.18 )  
コンタクト部: 部分金めっき ( 0.1μm 以上 )  
テール部: 部分金めっき

メッキ  
PLATING

下地: ニッケルめっき ( 1.0μm 以上 )  
CONTACT AREA : SEPARATED GOLD PLATING  
( 0.1μm MINIMUM )  
SOLDER TAIL AREA : SEPARATED GOLD PLATING  
UNDER PLATING : NICKEL OVERALL ( 1.0μm MINIMUM )

金具  
FITTING NAIL

: 燐青銅 ( t = 0.25 )  
ニッケル下地 錫メッキ ( 1.0μm 以上 )  
PHOSPHOR BRONZE ( t = 0.25 )  
TIN OVER NICKEL PLATING ( 1.0μm MINIMUM )

グラウンド端子  
GROUND TERMINAL

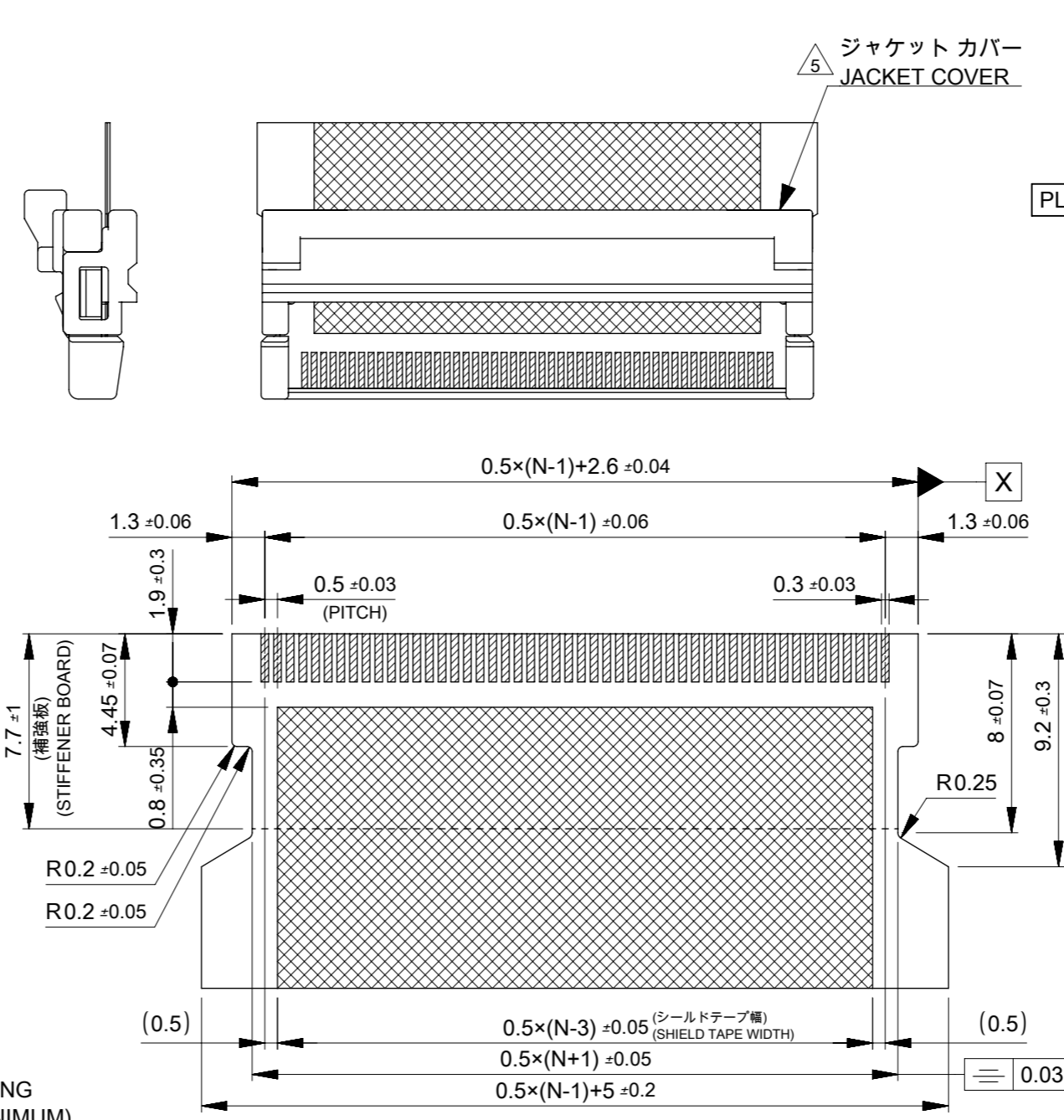
: 燐青銅 ( t = 0.15 )  
ニッケル下地 錫メッキ ( 1.0μm 以上 )  
PHOSPHOR BRONZE ( t = 0.15 )  
TIN OVER NICKEL PLATING ( 1.0μm MINIMUM )

2 N = 偶数に適用 ( N : 極数 )  
APPLY FOR N=EVEN ( N : CIRCUIT )

3 パターン剥離止め用金具  
FITTING NAIL FOR PREVENTION OF PEELING  
OF P.C.B PATTERN.

4 適合ジャケット: 5031505009  
製品詳細寸法は 5031505009 の図面を参照下さい。  
APPLICABLE JACKET: 5031505009.  
RE DETAILED DIMENSION, SEE DRAWING OF 5031505009.

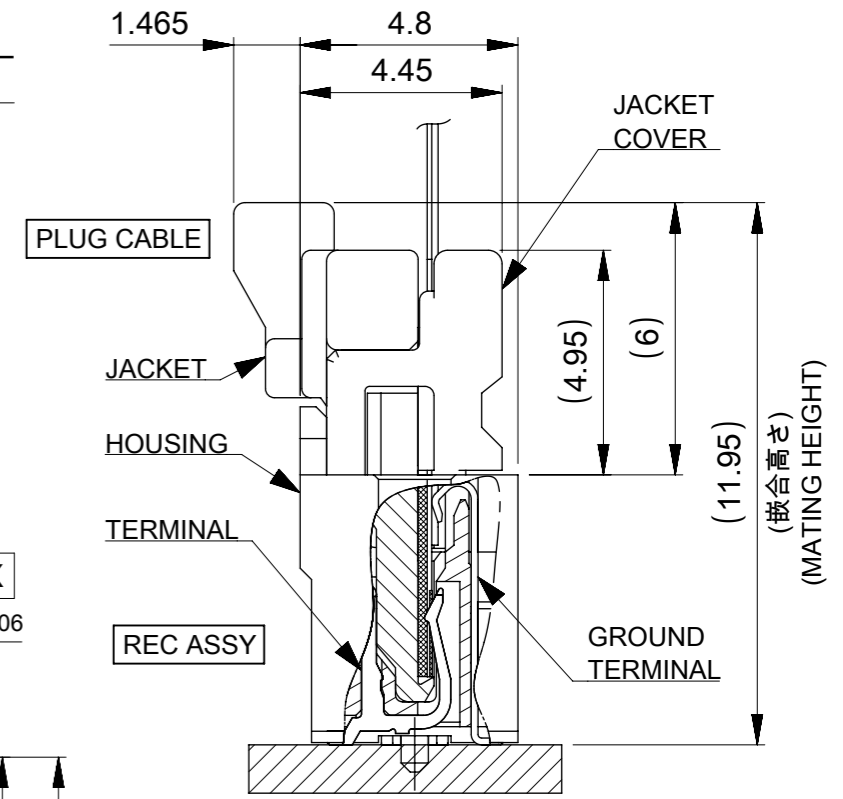
5 適合ジャケットカバー: 5031515009  
製品詳細寸法は 5031515009 の図面を参照下さい。  
APPLICABLE JACKET: 5031515009.  
RE DETAILED DIMENSION, SEE DRAWING OF 5031515009.



適合する金めっき FFC 推奨寸法  
APPLICABLE FFC OF GOLD PLATING  
RECOMENDED DIMENSION  
( 仕上がり厚さ : コネクタ接点部 0.3 ± 0.03 )  
シールド部 0.44 ± 0.05 )  
( THICKNESS : CONTACT AREA 0.3 ± 0.03 )  
SHIELD AREA 0.44 ± 0.05 )

コネクタ接点部  
CONTACT AREA

シールド部  
SHIELD AREA



嵌合断面図 ( Scale 6:1 )  
MATED CONNECTOR SECTION

6. FFC について  
ABOUT FFC  
打ち抜き方向は導体側から補強板側を推奨します。  
導体部については軟箔銅 35μm または 50μm を推奨します。  
RECOMMENDED PUNCHING DIRECTION :  
FROM CONDUCTOR SIDE TO STIFFENER SIDE  
RECOMMENDED CONDUCTOR SPEC :  
SOFT COPPER FOIL  
RECOMMENDED CONDUCTOR THICKNESS :  
35 MICROMETER OR 50 MICROMETER

THIS DRAWING CONTAINS INFORMATION THAT IS PROPRIETARY TO MOLEX ELECTRONIC TECHNOLOGIES, LLC AND SHOULD NOT BE USED WITHOUT WRITTEN PERMISSION

REVISED	2017/12/20	GENERAL TOLERANCES (UNLESS SPECIFIED)	DIMENSION UNITS	SCALE				
	2017/12/22		mm	±±				
	2017/12/25		DRWN BY	DATE		0.5 FFC TO BOARD CONN REC HSG ASSY (ST)		
	EC NO: 169864 DRWN: YCHEN128 CHK'D: KTAKAHASHI APPR: NUKITA		4 PLACES	± 0.2			NKURAHATTI	2016/03/21
			3 PLACES	± 0.2			CHK'D BY	DATE
2 PLACES		± 0.25	YKOBAYASHI02	2017/04/28				
1 PLACE		± 0.3	APPR BY	DATE				
0 PLACES	± 0.3	TKUSUHARA01	2017/04/28	PRODUCT CUSTOMER DRAWING				
DRAFT WHERE APPLICABLE MUST REMAIN WITHIN DIMENSIONS		DRAWING SIZE	THIRD ANGLE PROJECTION		SERIES	MATERIAL NUMBER	CUSTOMER	
		A3			501786	SEE CHART	GENERAL MARKET	
				DOCUMENT NUMBER	DOC TYPE	DOC PART	SHEET NUMBER	
				5017861002	PSD	003	2 OF 2	