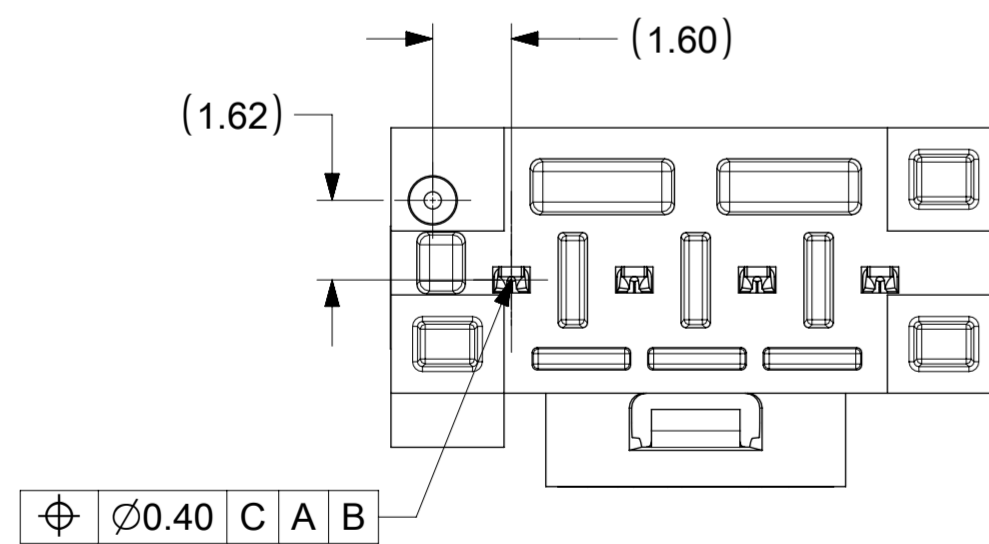
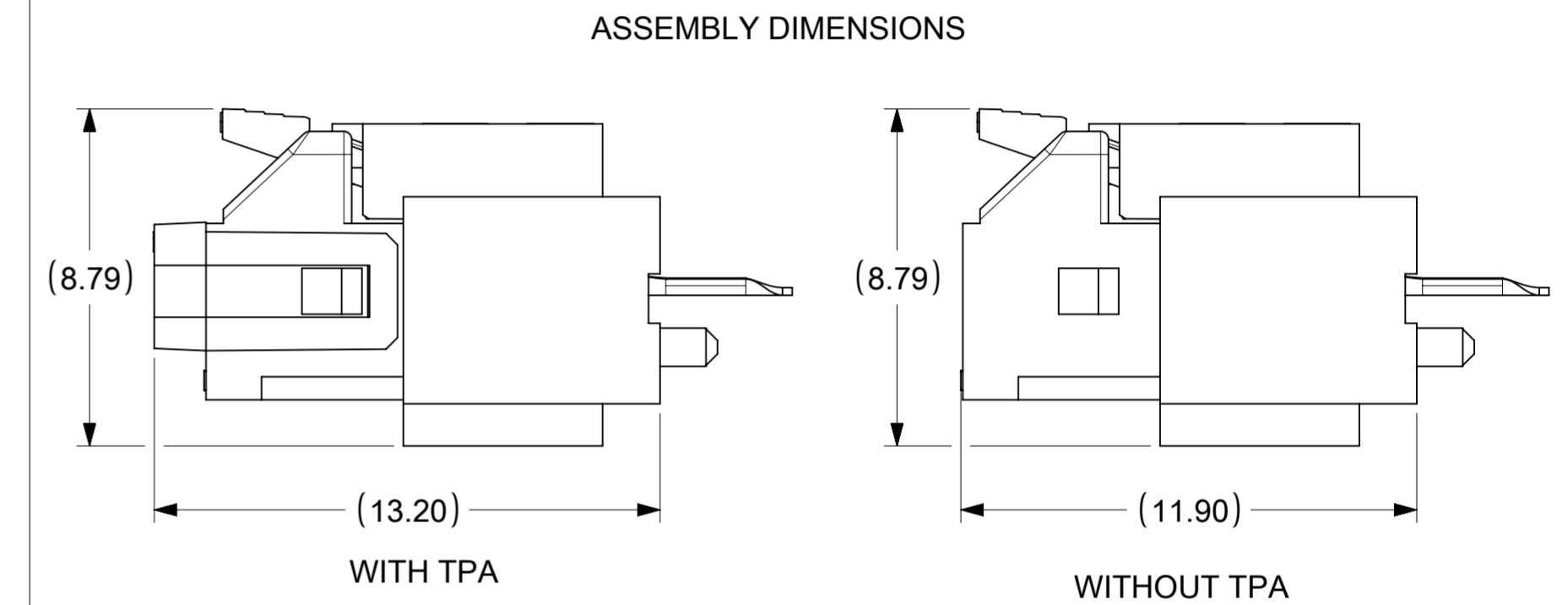
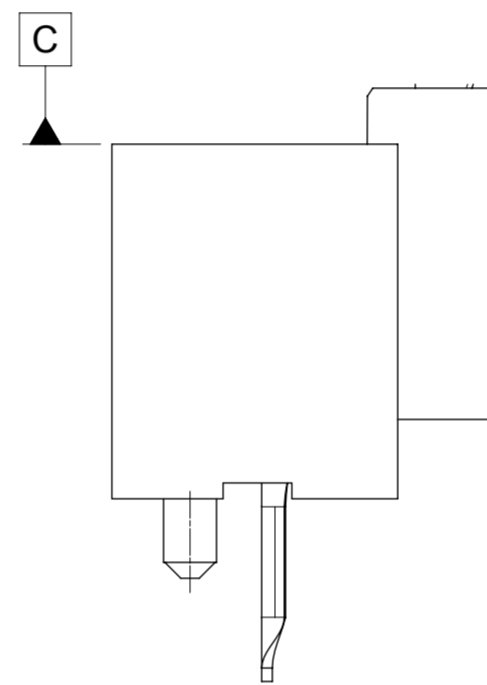
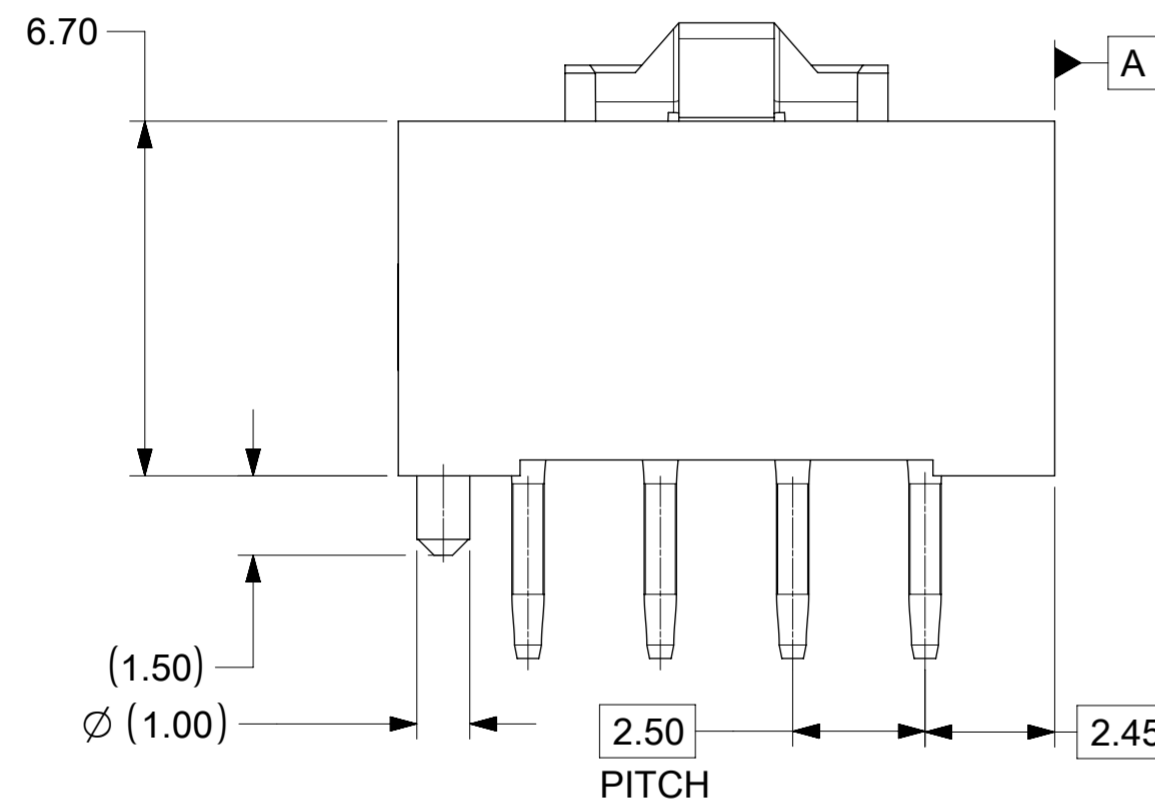


ISOMETRIC VIEW FOR
4 CKT HEADER ASSEMBLY



CKT SIZE	HEADER ASSEMBLY P/N	DIM. B
2	2078430002	8.00
3	2078430003	9.90
4	2078430004	12.40
5	2078430005	14.90
6	2078430006	17.40
7	2078430007	19.90
8	2078430008	22.40

- NOTES:
 1. MATERIAL:
 a. HOUSING: LIQUID CRYSTAL POLYMER, RATED UL 94V-0, COLOUR - BLACK
 b. TERMINAL: BRASS ALLOY PLATING: TIN OVER NICKEL OVERALL.
 2. PRODUCT SPECIFICATION: 2079020001-PS
 3. PACKAGING SPECIFICATION: 2078430000-PK
 4. COSMETIC SPECIFICATION: PS-45499-002 CLASS B

SYMBOLS	THIS DRAWING CONTAINS INFORMATION THAT IS PROPRIETARY TO MOLEX ELECTRONIC TECHNOLOGIES, LLC AND SHOULD NOT BE USED WITHOUT WRITTEN PERMISSION	
DIMENSION UNITS	SCALE	CURRENT REV DESC:
∇ = 0	mm	6:1
∇ = 0	GENERAL TOLERANCES (UNLESS SPECIFIED)	
∇ = 0	ANGULAR TOL	± °
∇ = 0	4 PLACES	±
∇ = 0	3 PLACES	±
∇ = 0	2 PLACES	± 0.25
∇ = 0	1 PLACE	± 0.3
∇ = 0	0 PLACES	±
∇ = 0	DRAFT WHERE APPLICABLE MUST REMAIN WITHIN DIMENSIONS	THIRD ANGLE PROJECTION
	DRAWING	SERIES
	A2-SIZE	207843
	EC NO: 706742	
	DRWN: SHRUTJ	2022/04/20
	CHK'D: SHRUTJ	2022/05/13
	APPR: ISHWARG	2022/05/13
	INITIAL REVISION:	
	DRWN: SUDAYGUNAGI	2018/06/19
	APPR: ISHWARG	2019/04/16
	DOCUMENT NUMBER	DOC TYPE DOC PART REVISION
	2078430004-SD	PSD 000 A5
	MATERIAL NUMBER	CUSTOMER
		SHEET NUMBER
		1 OF 2

molex

HEADER ASSEMBLY FOR KK PLUS 250

PRODUCT CUSTOMER DRAWING

