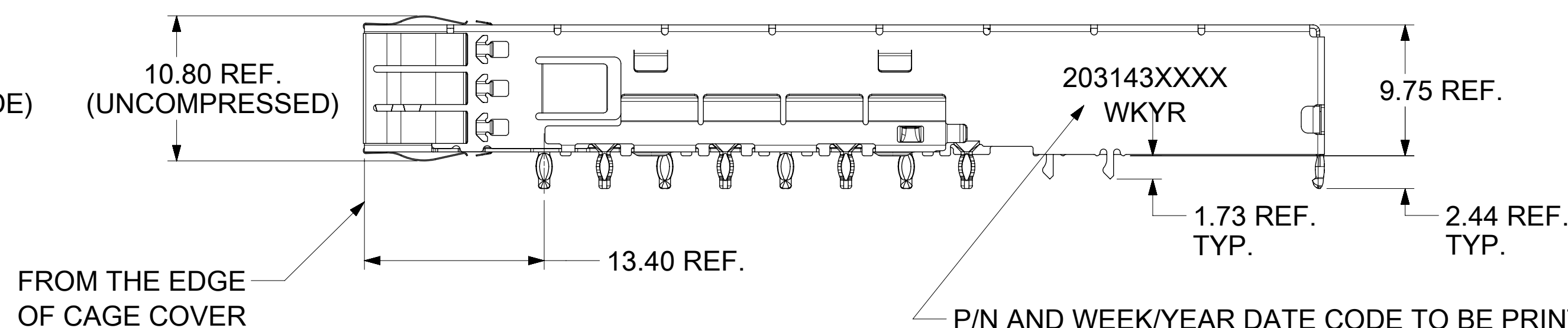
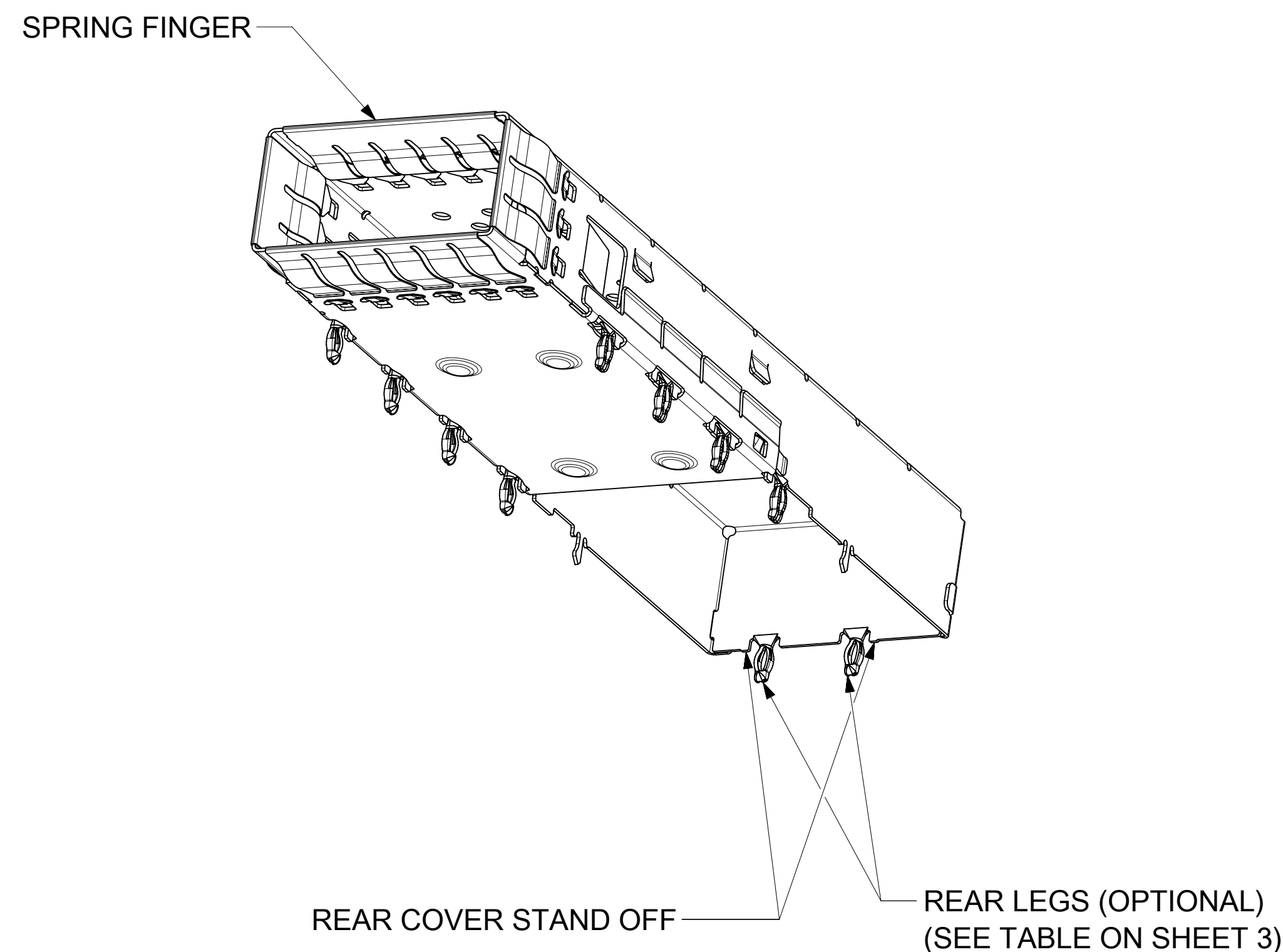
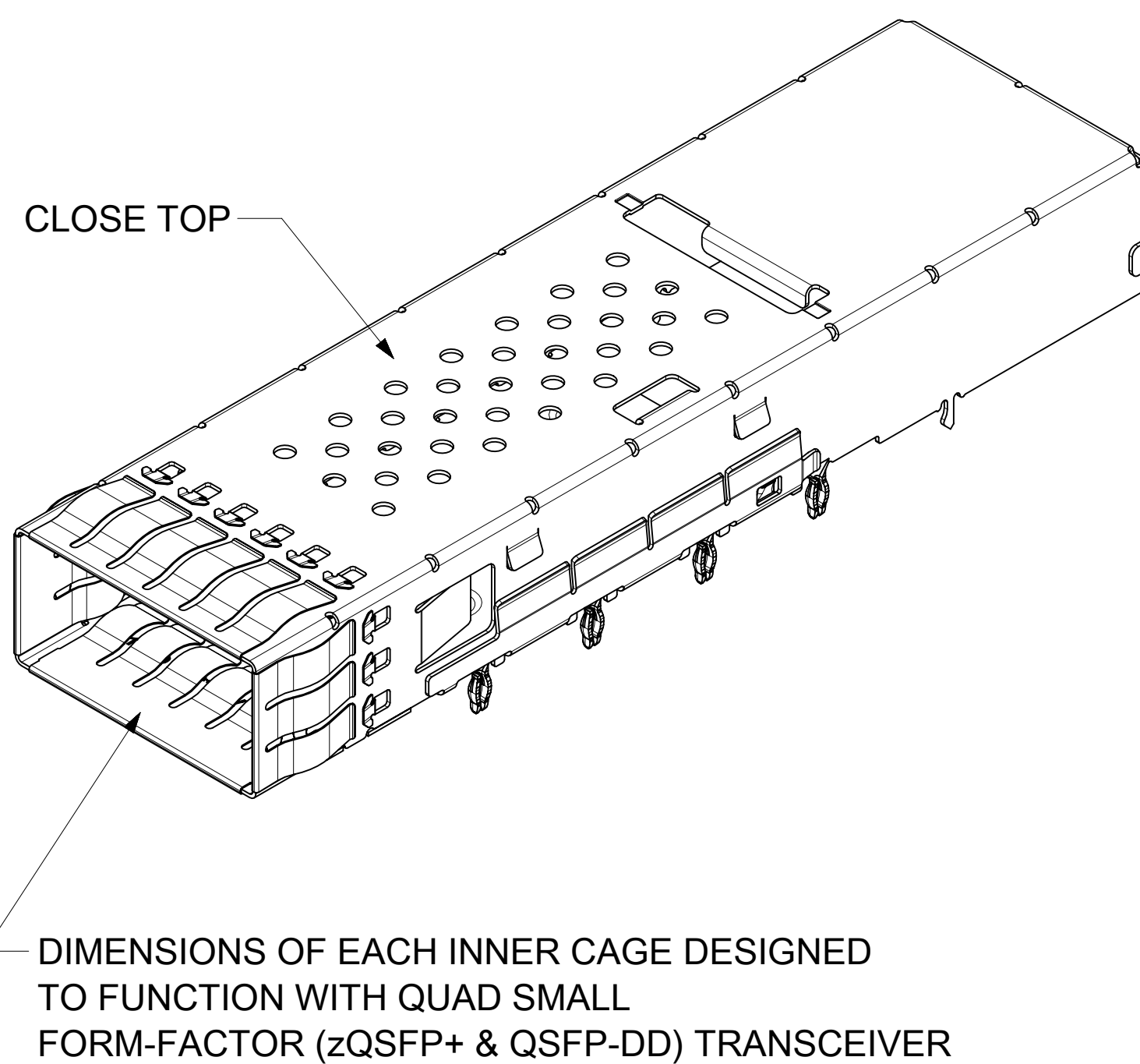
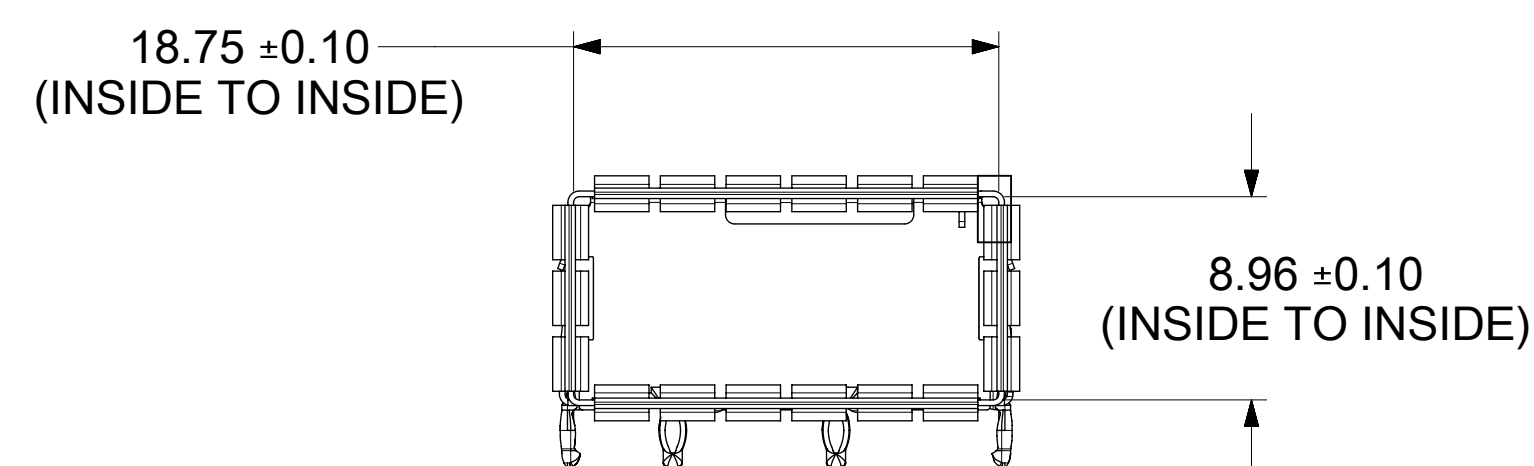
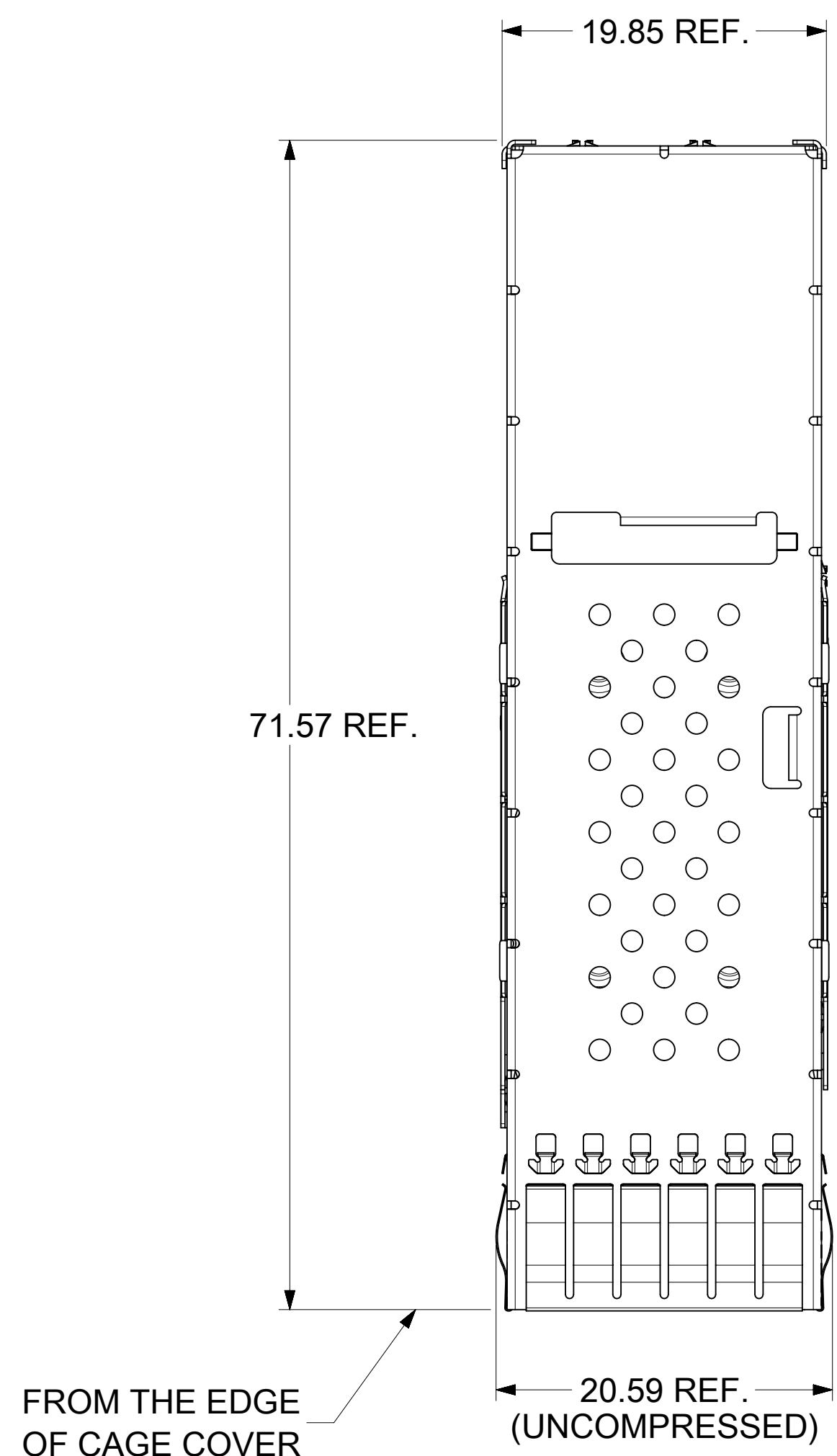


BASE CAGE DETAILS

2031433245 SHWON



P/N AND WEEK/YEAR DATE CODE TO BE PRINTED ON SIDE OF COMPLETED CAGE ASSEMBLY APPROXIMATELY AS SHOWN. SEE TABLE BELOW FOR DATE CODE INFORMATION.

WEEK/YEAR DATE CODE TABLE	
WK	WEEK OF THE YEAR 01 THRU 52 OR 53 (EXAMPLE: 01= FIRST WEEK OF YEAR, 52 OR 53 = LAST WEEK OF YEAR)
YR	17, 18, 19 ETC.. (EXAMPLE: YEAR 2017= 17)

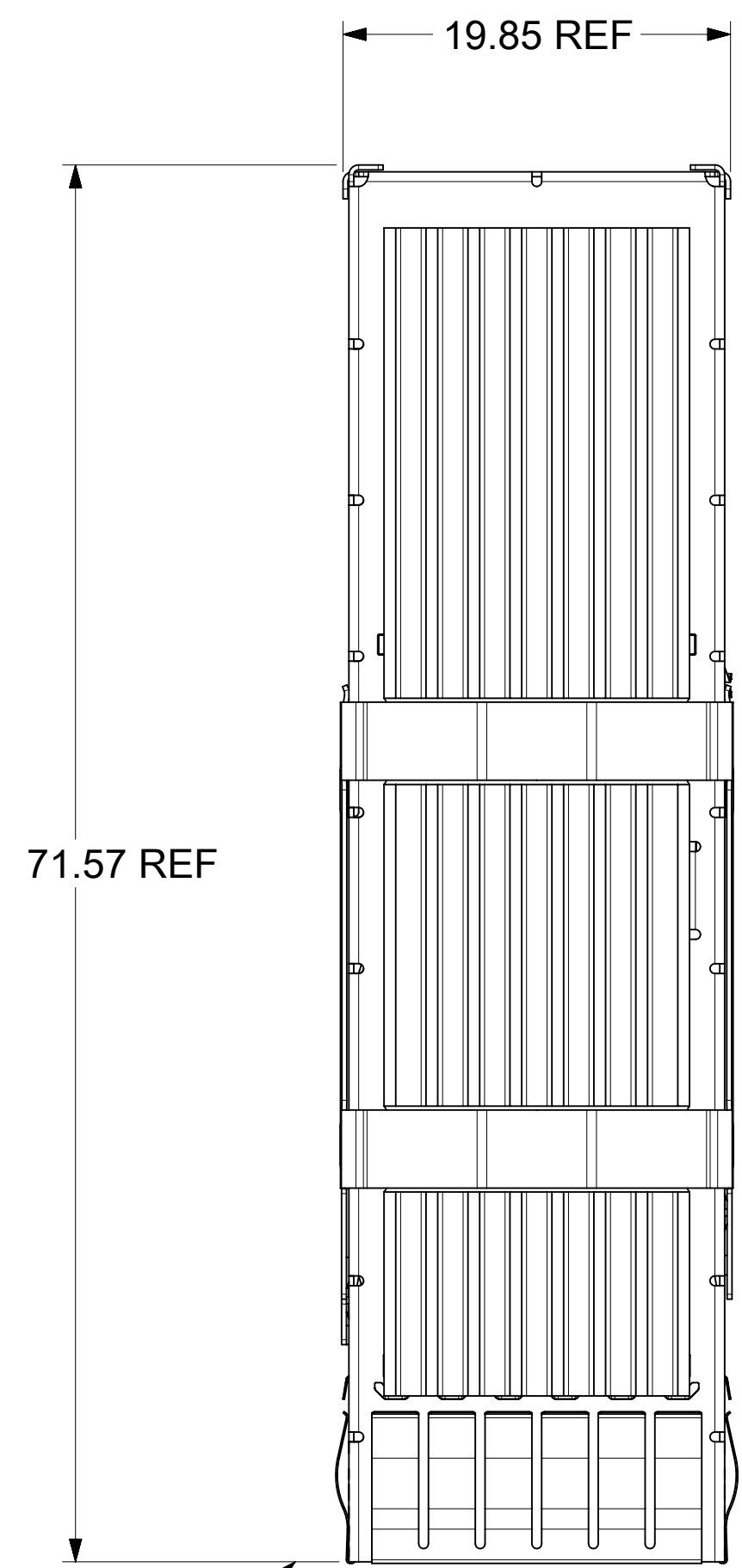
NOTES:

- MATERIAL: CAGE: STAINLESS STEEL
SPRING FINGERS: STAINLESS STEEL
HEAT SINKS: ALUMINUM(BLACK ANODIZATION)
HEAT SINK CLIP: STAINLESS STEEL
- DRAWING APPLIES TO ALL P/N'S SHOWN ON PAGE 3 AND SHEET 4
- DURING FINAL INSPECTION, CAGE LEG LOCATIONS AND STRAIGHTNESS MUST BE CHECKED USING APPROPRIATE GO - NO GO GAGE
- DURING FINAL INSPECTION, CAGE MUST BE INSPECTED TO MAKE SURE LEG CONFIGURATIONS AND PART NUMBERS ARE CORRECT, REFER TO SHEETS 2 AND 3.
- PARTS TO BE INSPECTED PER MOLEX COSMETIC SPEC WI-HP-7-2774 (CLASS B UNLESS OTHERWISE SPECIFIED)
- PRESS-FIT LEGS 2.44mm LONG -
1.57mm MINIMUM PCB THICKNESS FOR SINGLE SIDED USE.
2.70mm MINIMUM PCB THICKNESS FOR BELLY TO BELLY USE.
- NO RoHS EXEMPTIONS

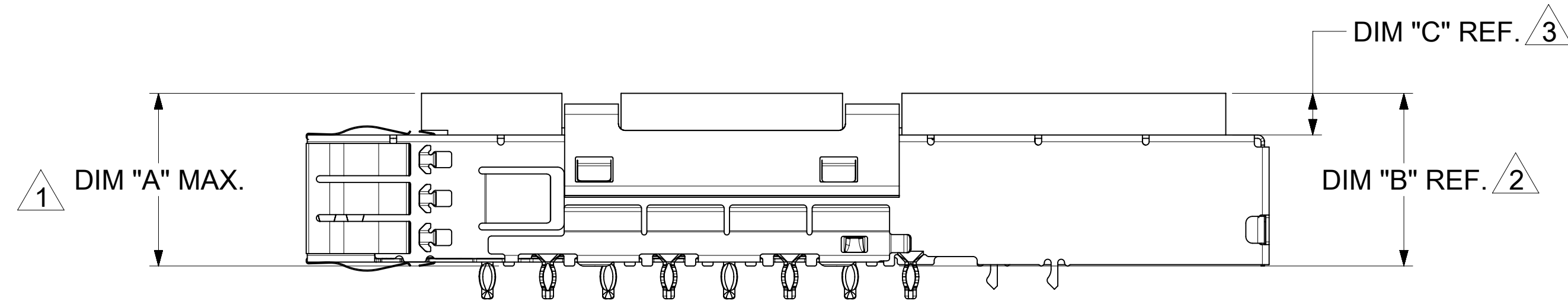
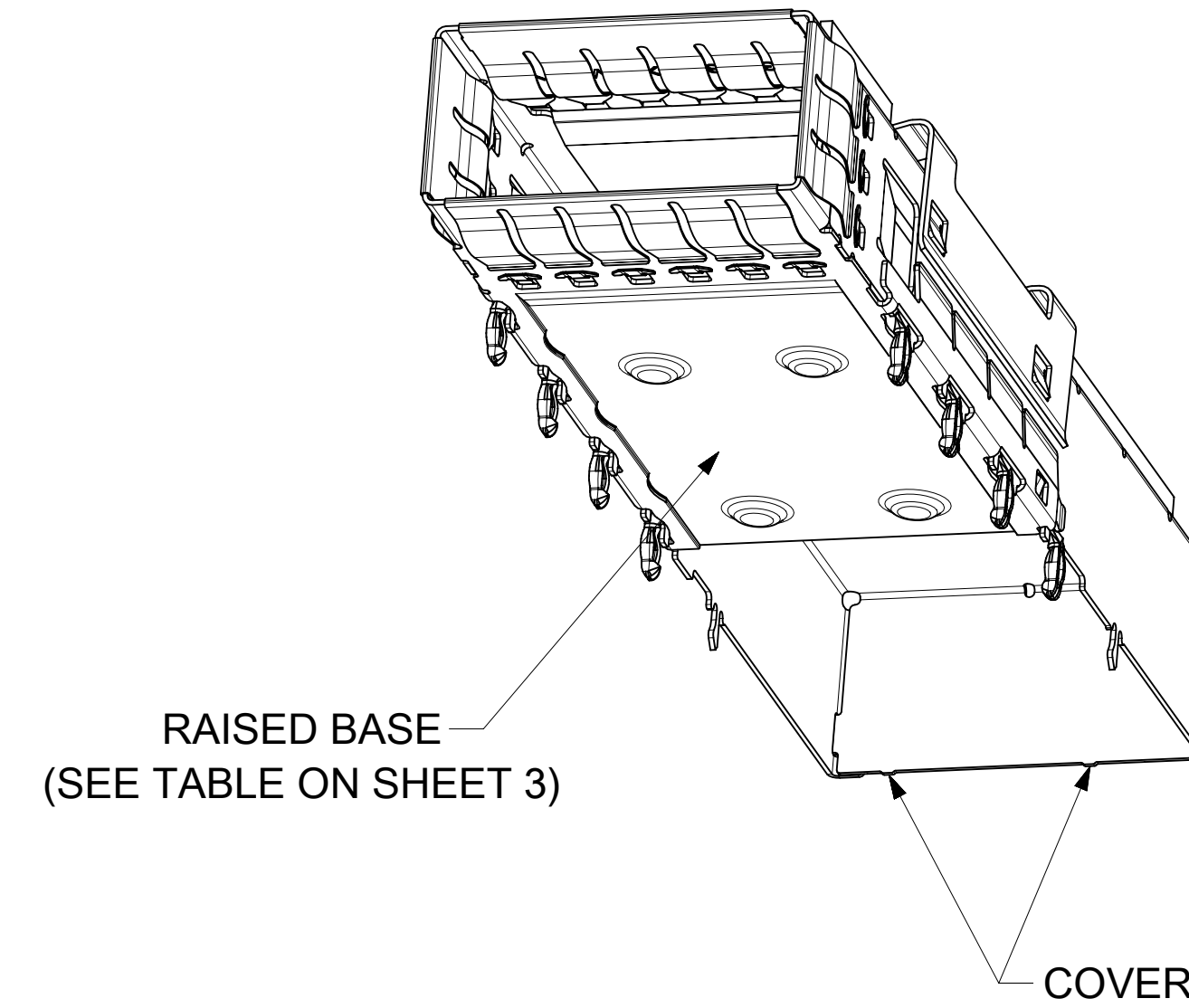
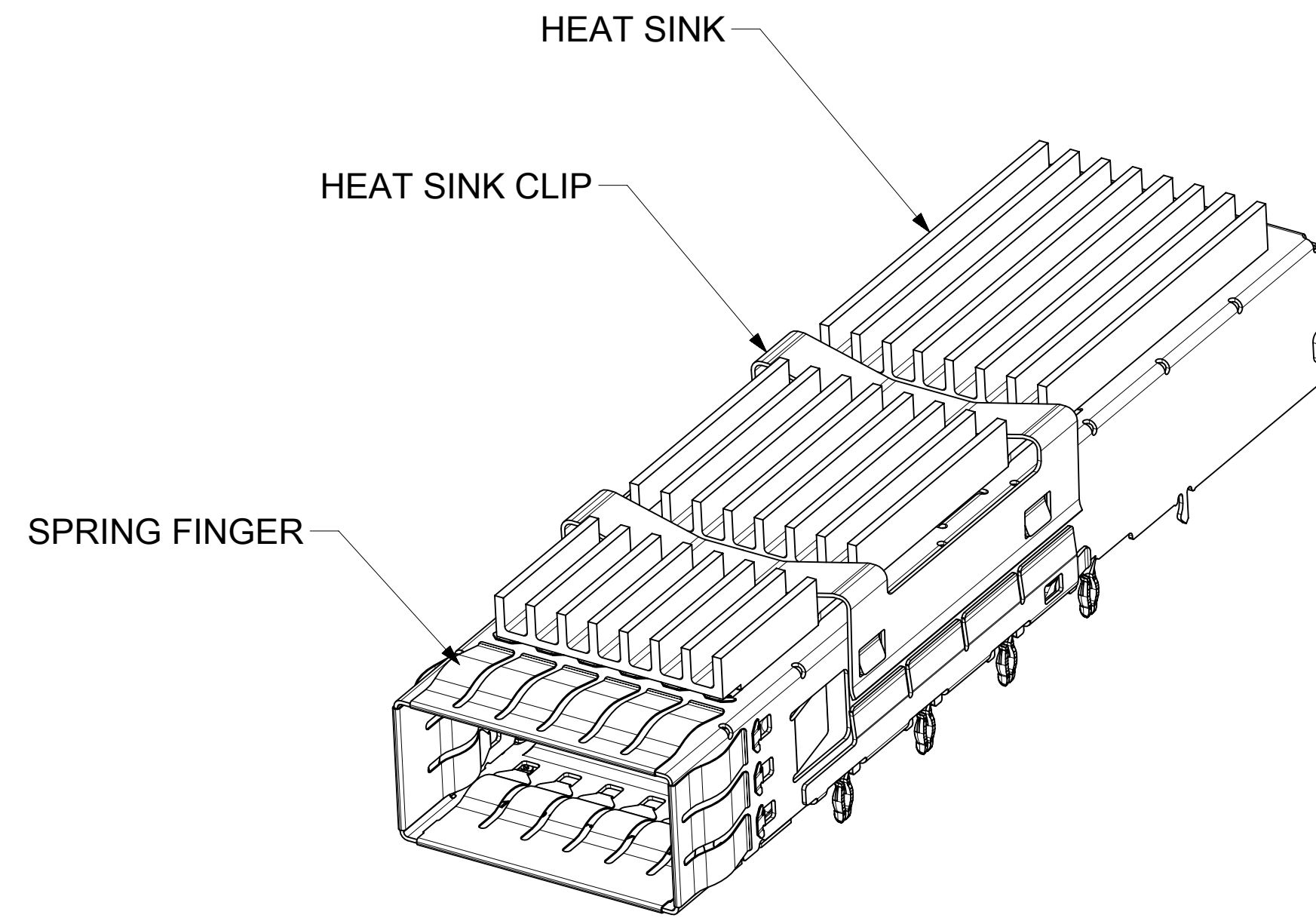
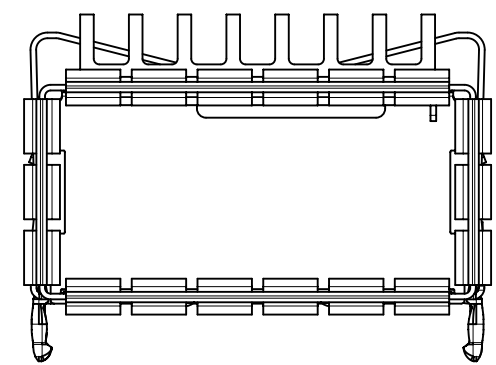
THIS DRAWING CONTAINS INFORMATION THAT IS PROPRIETARY TO MOLEX ELECTRONIC TECHNOLOGIES, LLC AND SHOULD NOT BE USED WITHOUT WRITTEN PERMISSION												
DIMENSION UNITS	SCALE	CURRENT REV DESC: SEE REVISION TABLE										
mm	3:1	<p>QSFP-DD 1X1 CAGE ASSY SF WITH FIN H/S OPTIONS</p> <p>PRODUCT CUSTOMER DRAWING</p>										
GENERAL TOLERANCES (UNLESS SPECIFIED)												
ANGULAR TOL	± 2.0°											
4 PLACES	±											
3 PLACES	±											
2 PLACES	± 0.13											
1 PLACE	± 0.25	EC NO: 705875	2022/08/04	DRWN: MCHEN104 CHK'D: THSU02 APPR: SCHIEN								
0 PLACES	±	DRWN: SCHIEN	2019/06/10									
DRAFT WHERE APPLICABLE MUST REMAIN WITHIN DIMENSIONS		APPR: JCHIANG	2019/08/16									
THIRD ANGLE PROJECTION	DRAWING	SERIES	MATERIAL NUMBER	CUSTOMER	DOCUMENT NUMBER					DOC TYPE	DOC PART	REVISION
THIRD ANGLE PROJECTION	D-SIZE	203143	SEE P/N TABLE	GENERAL MARKET	2031433201					PSD	ASY	A5
SHEET NUMBER			1 OF 7									

CAGE ASSEMBLY OPTIONS

2031433349 SHOWN



FROM THE EDGE OF CAGE COVER



HEAT SINK HEIGHT OPTIONS

OVERALL HEAT SINK HEIGHT	DIM "A"
PCI	13.7
SAN	16.0
NET	23.0

OVERALL HEAT SINK HEIGHT	DIM "B"
PCI	12.85
SAN	15.15
NET	22.15

HEAT SINK HEIGHT	DIM "C"
PCI	3.10
SAN	5.40
NET	12.40

THIS DRAWING CONTAINS INFORMATION THAT IS PROPRIETARY TO MOLEX ELECTRONIC TECHNOLOGIES, LLC AND SHOULD NOT BE USED WITHOUT WRITTEN PERMISSION

DIMENSION UNITS: mm SCALE: 3:1

GENERAL TOLERANCES (UNLESS SPECIFIED)

ANGULAR TOL ± 2.0°

4 PLACES ±
3 PLACES ±
2 PLACES ± 0.13
1 PLACE ± 0.25
0 PLACES ±

CURRENT REV DESC: SEE REVISION TABLE

EC NO: 705875
DRWN: MCHEN104 2022/08/04
CHK'D: THSU02 2022/08/05
APPR: SCHIEN 2022/08/08
INITIAL REVISION:
DRWN: SCHIEN 2019/06/10
APPR: JCHIANG 2019/08/16

molex

QSFP-DD 1X1 CAGE ASSY
SF WITH FIN H/S OPTIONS

PRODUCT CUSTOMER DRAWING

DOCUMENT NUMBER	DOC TYPE	DOC PART	REVISION
2031433201	PSD	ASY	A5

DRAFT WHERE APPLICABLE MUST REMAIN WITHIN DIMENSIONS	THIRD ANGLE PROJECTION	DRAWING	SERIES	MATERIAL NUMBER	CUSTOMER	SHEET NUMBER
		D-SIZE	203143	SEE P/N TABLE	GENERAL MARKET	2 OF 7

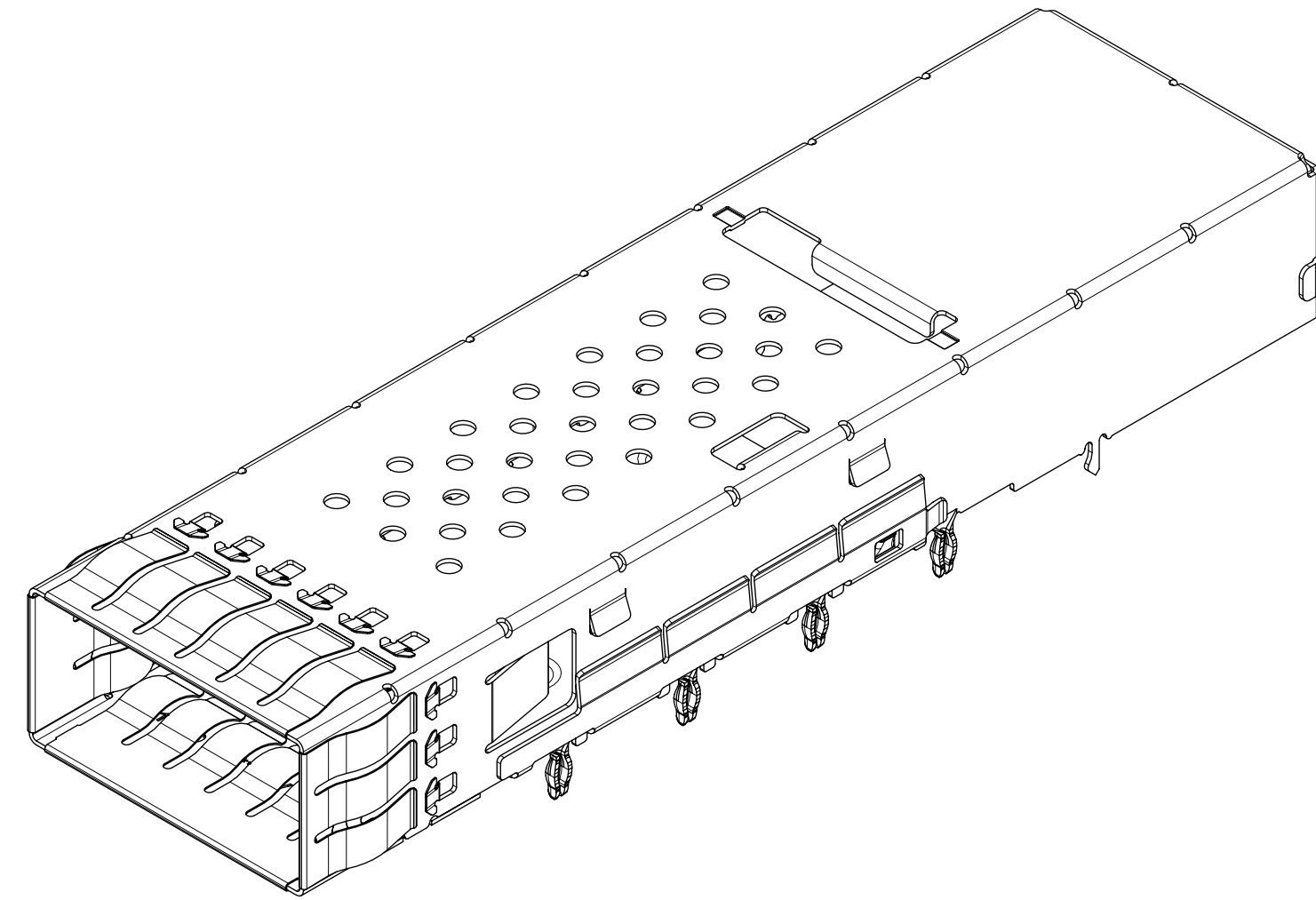
1 HEIGHT OF HEAT SINK WITH MODULE INSERTED. DIMENSION MAY BE LESS DUE TO MODULE AND HEAT SINK VARIATIONS

2 HEIGHT OF HEAT SINK WITHOUT MODULE INSERTED.

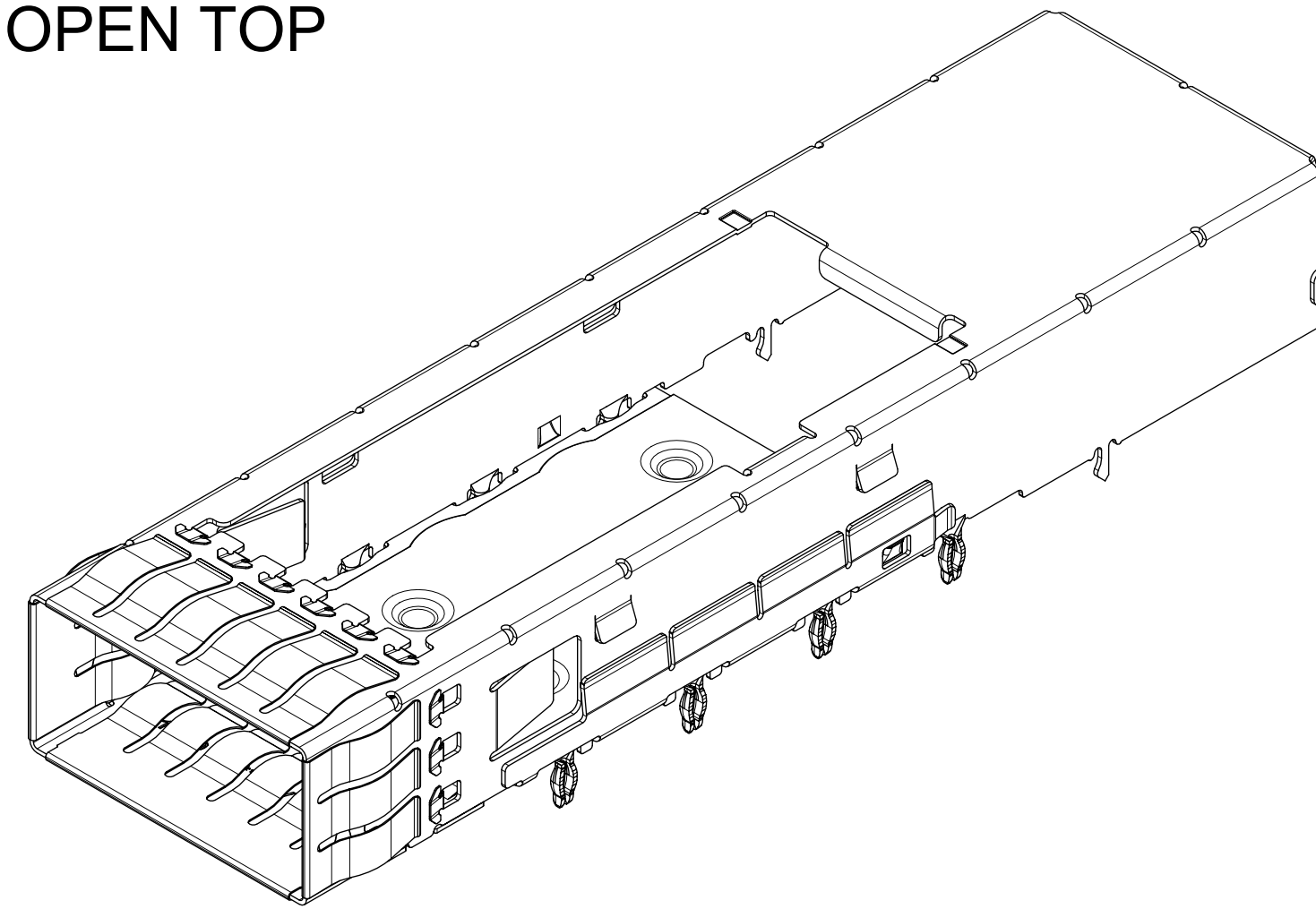
3 HEIGHT OF HEAT SINK

PART NUMBER SELECTION

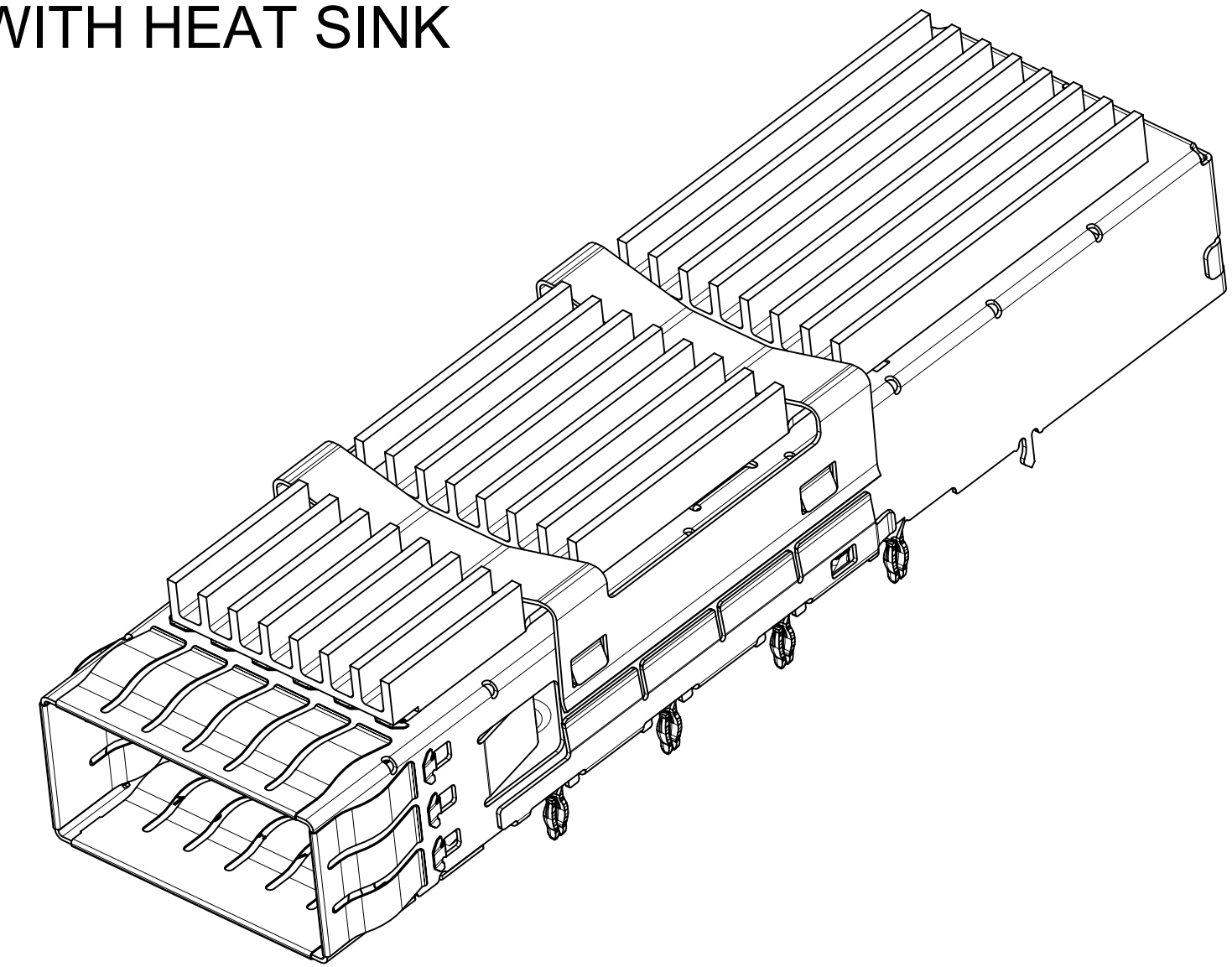
CLOSE TOP



OPEN TOP



WITH HEAT SINK



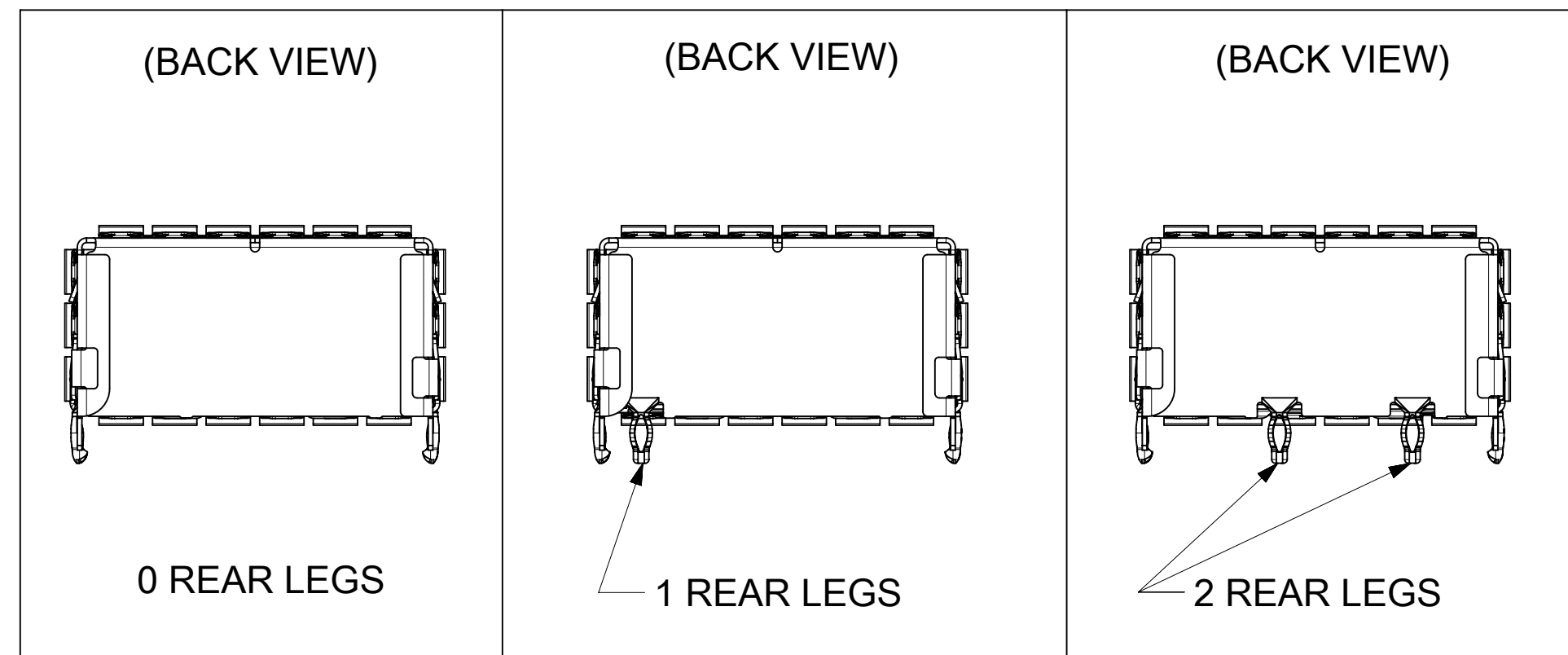
MOLEX P/N	# OF REAR LEGS PER PORT	RAISED BASE	W/ EMI ABSORB
2031433243	0	NO	NO
2031433244	1	NO	NO
2031433245	2	NO	NO

OBSOLETE

MOLEX P/N	# OF REAR LEGS PER PORT	RAISED BASE	W/ EMI ABSORB
2031433254	0	YES	NO
2031433255	1	YES	NO
2031433256	2	YES	NO

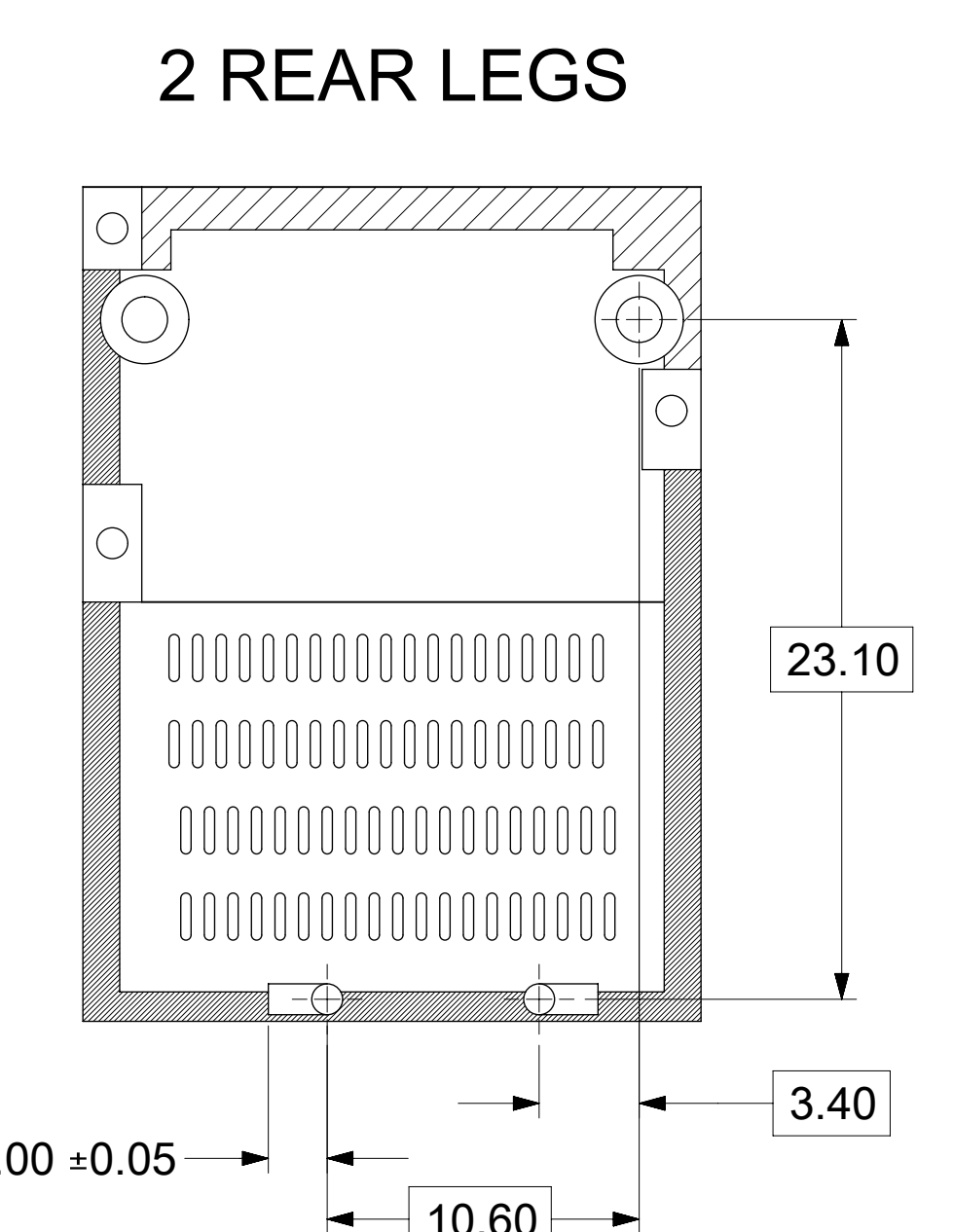
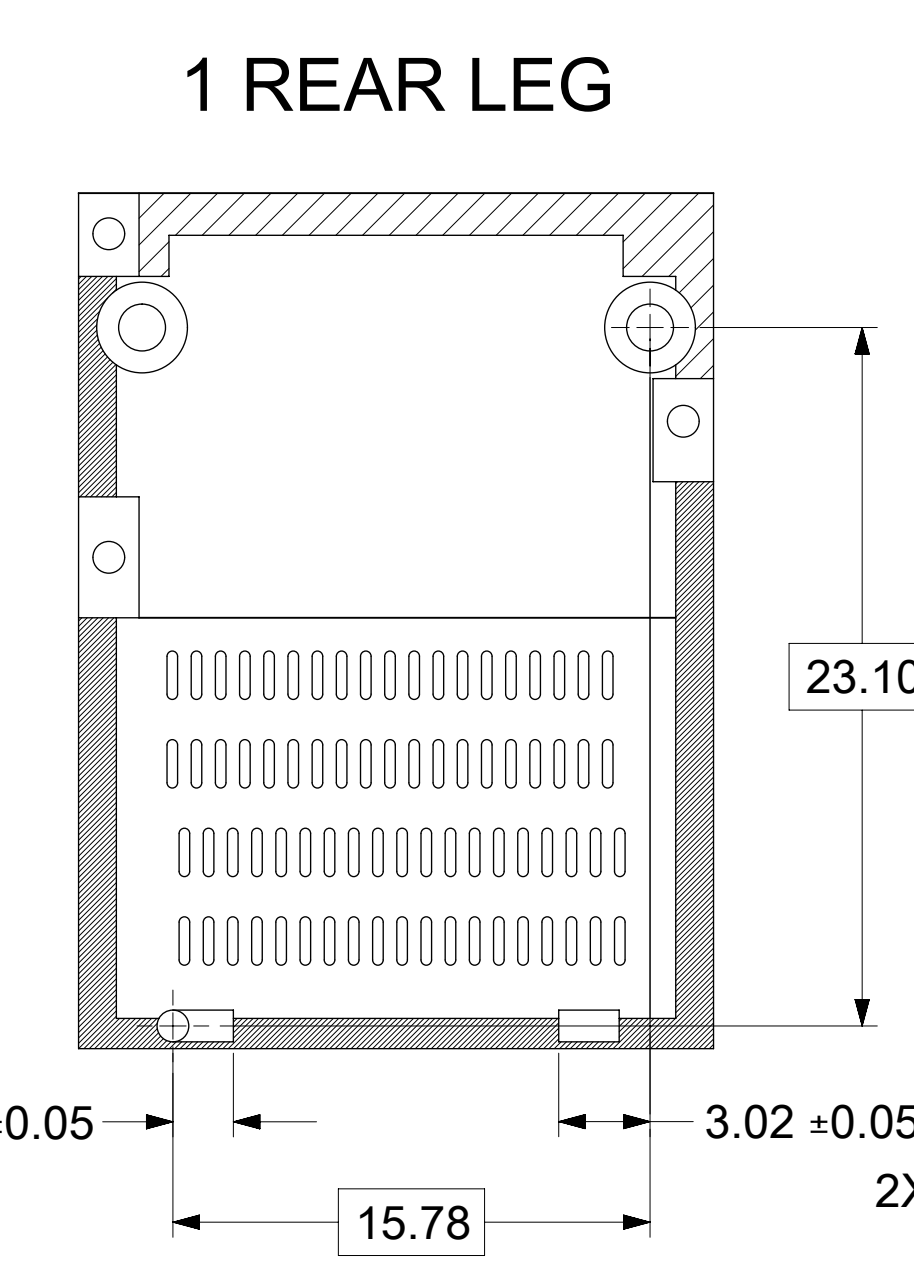
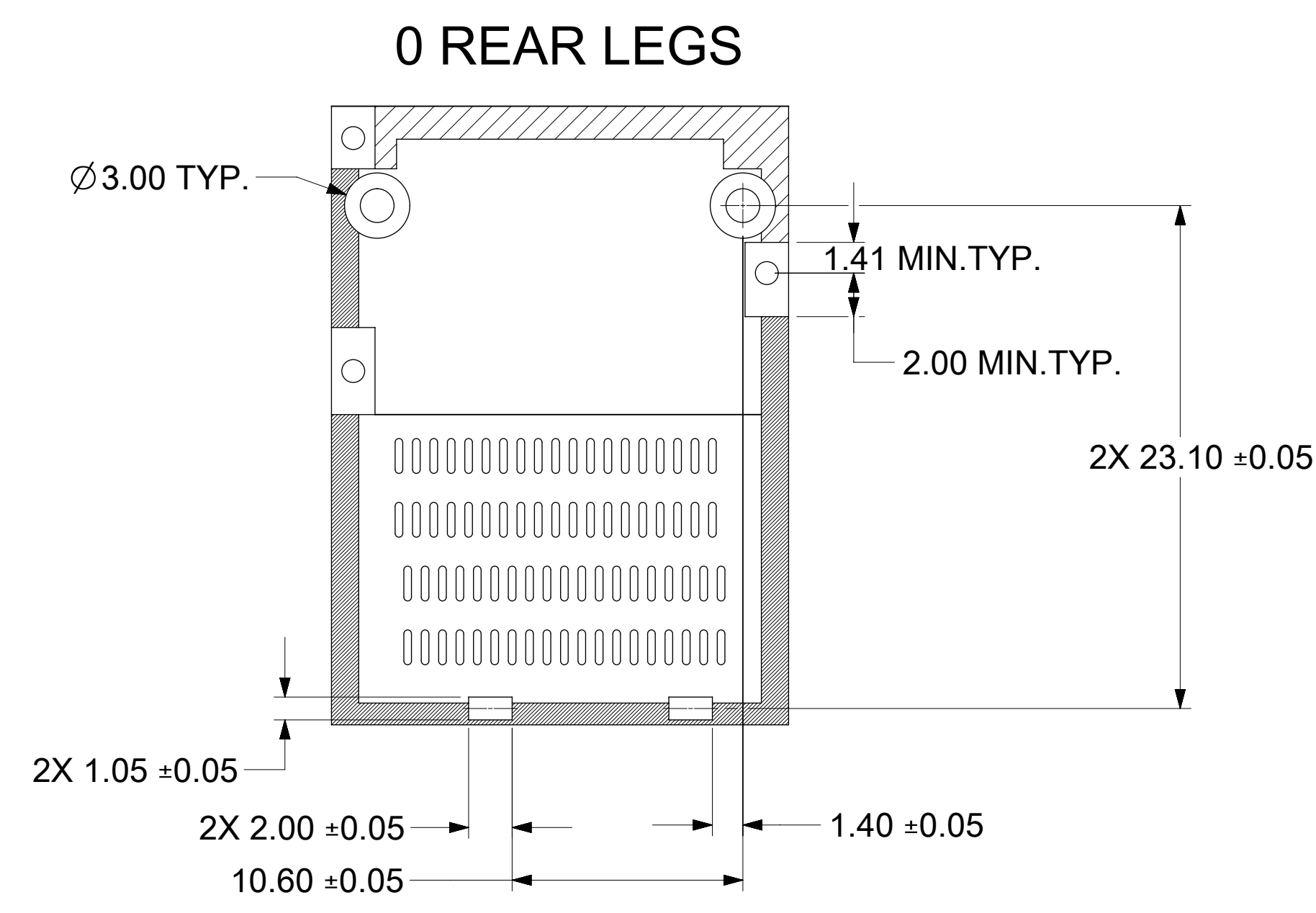
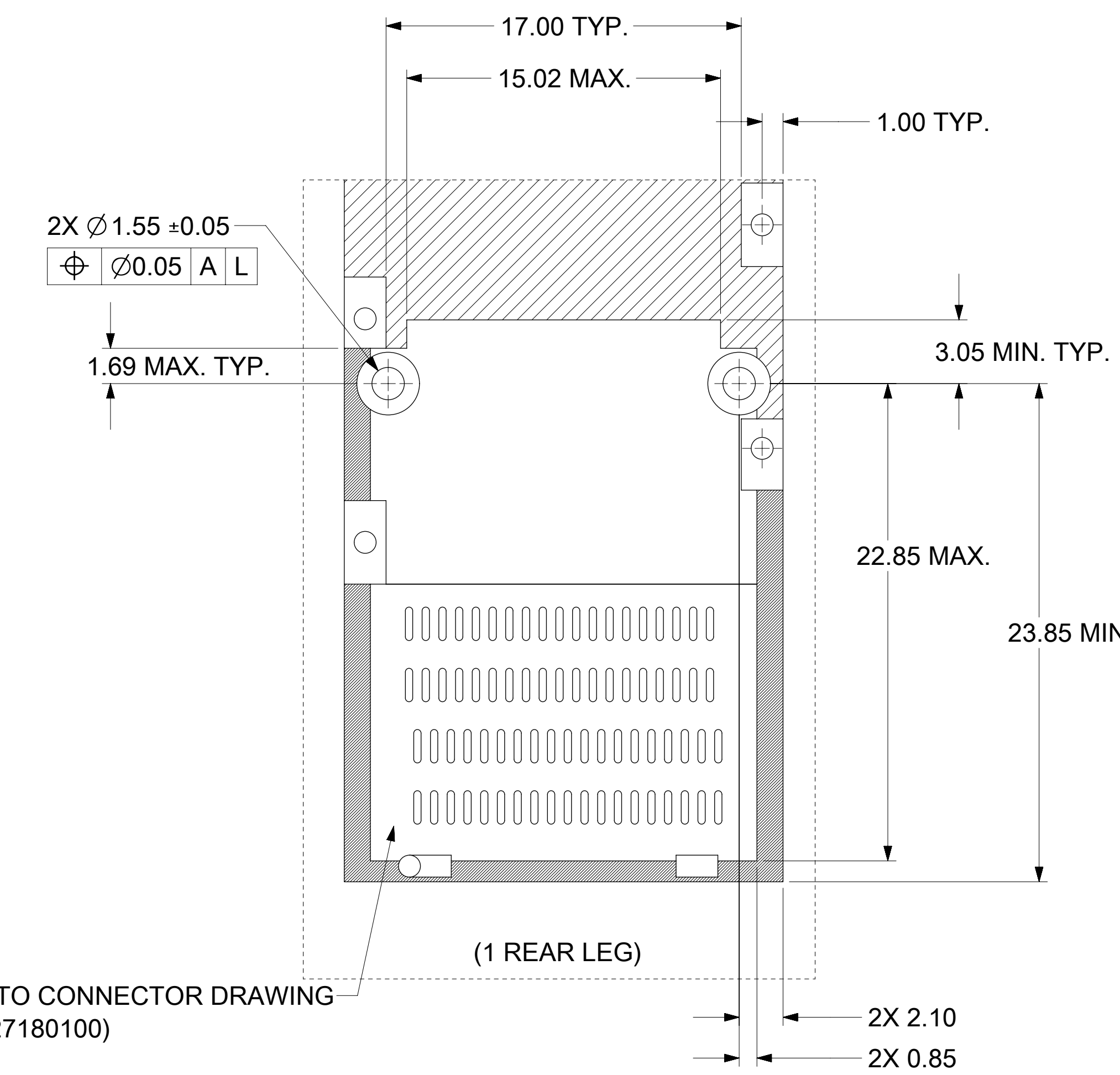
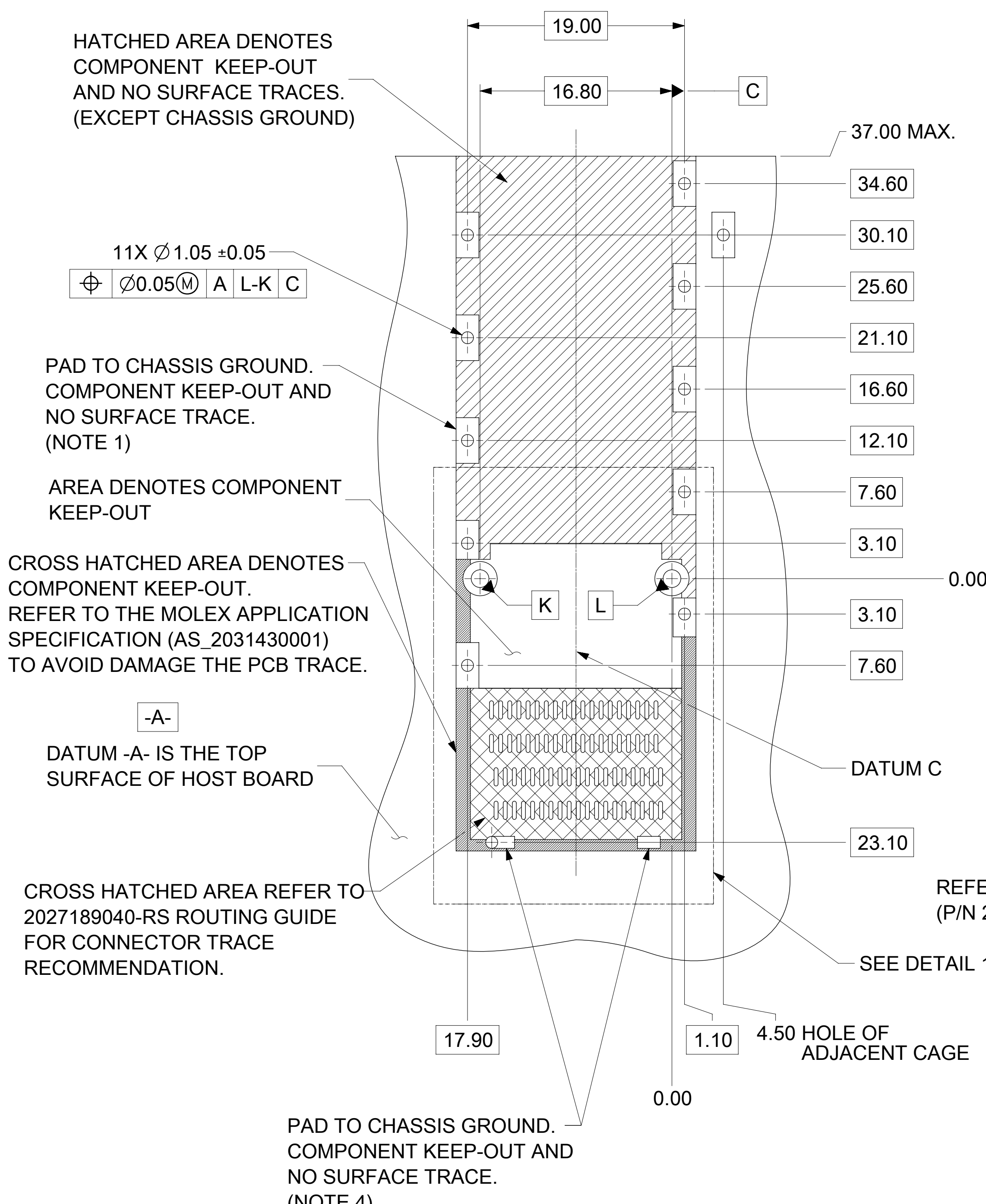
MOLEX P/N	HEAT SINK	# OF REAR LEGS PER PORT	RAISED BASE	W/ EMI ABSORB
2031433349	PCI	0	YES	NO
2031433350	SAN	0	YES	NO
2031433351	NET	0	YES	NO
2031433352	PCI	1	YES	NO
2031433353	SAN	1	YES	NO
2031433354	NET	1	YES	NO
2031433355	PCI	2	YES	NO
2031433356	SAN	2	YES	NO
2031433357	NET	2	YES	NO

REAR LEG OPTIONS



THIS DRAWING CONTAINS INFORMATION THAT IS PROPRIETARY TO MOLEX ELECTRONIC TECHNOLOGIES, LLC AND SHOULD NOT BE USED WITHOUT WRITTEN PERMISSION			
DIMENSION UNITS	SCALE	CURRENT REV DESC: SEE REVISION TABLE	
mm	3:1		
GENERAL TOLERANCES (UNLESS SPECIFIED)			
ANGULAR TOL ± 2.0°			
4 PLACES ±	EC NO: 705875 DRWN: MCHEN104 2022/08/04 CHK'D: THSU02 2022/08/05 APPR: SCHIEN 2022/08/08 INITIAL REVISION: DRWN: SCHIEN 2019/06/10 APPR: JCHIANG 2019/08/16		
3 PLACES ±			
2 PLACES ± 0.13			
1 PLACE ± 0.25			
0 PLACES ±			
DRAFT WHERE APPLICABLE MUST REMAIN WITHIN DIMENSIONS		THIRD ANGLE PROJECTION	DRAWING
		D-SIZE	SERIES
		203143	MATERIAL NUMBER
		SEE P/N TABLE	CUSTOMER
		GENERAL MARKET	SHEET NUMBER
		3 OF 7	3 OF 7

PCB LAYOUT FOR SINGLE SIDED MOUNTING



- NOTES:
1. PADS AND VIAS GO TO CHASSIS GROUND. (RECOMMENDED PADS TO BE 2.00x4.00mm RECTANGLE.)
 2. RECOMMENDED THRU HOLE PLATING INCLUDES HASL, OSP, OR IMMERSION (GOLD, SILVER, OR TIN).
 3. CONNECTOR PAD LAYOUT PER QSFP-DD MSA WILL ACCOMMODATE MOLEX CONNECTOR SERIES 202718.
 4. PADS AND VIAS GO TO CHASSIS GROUND.(RECOMMENDED PADS TO BE 1.05 x 2.00mm RECTANGLE)

THIS DRAWING CONTAINS INFORMATION THAT IS PROPRIETARY TO MOLEX ELECTRONIC TECHNOLOGIES, LLC AND SHOULD NOT BE USED WITHOUT WRITTEN PERMISSION																																			
DIMENSION UNITS		SCALE		CURRENT REV DESC: SEE REVISION TABLE																															
mm		3.5:1																																	
GENERAL TOLERANCES (UNLESS SPECIFIED)																																			
ANGULAR TOL $\pm 2.0^\circ$																																			
4 PLACES \pm		EC NO: 705875		DRWN: MCHEN104		2022/08/04																													
3 PLACES \pm		CHK'D: THSU02		APPR: SCHIEN		2022/08/05																													
2 PLACES ± 0.13		INITIAL REVISION:		DRWN: SCHIEN		2019/06/10																													
1 PLACE ± 0.25		APPR: JCHIANG		APPR: JCHIANG		2019/08/16																													
0 PLACES \pm		DRAFT WHERE APPLICABLE MUST REMAIN WITHIN DIMENSIONS		THIRD ANGLE PROJECTION		DRAWING SERIES		MATERIAL NUMBER CUSTOMER SHEET NUMBER																											
				D-SIZE		203143		SEE P/N TABLE GENERAL MARKET 4 OF 7																											
DOCUMENT STATUS P1 RELEASE DATE 2022/08/08 12:39:21				<table border="1"> <tr> <td colspan="2" rowspan="2">molex</td> <td colspan="4">QSFP-DD 1X1 CAGE ASSY SF WITH FIN H/S OPTIONS</td> </tr> <tr> <td colspan="4">PRODUCT CUSTOMER DRAWING</td> </tr> <tr> <td colspan="2">DOCUMENT NUMBER</td> <td colspan="2">DOC TYPE</td> <td colspan="2">DOC PART</td> <td colspan="2">REVISION</td> </tr> <tr> <td colspan="2">2031433201</td> <td colspan="2">PSD</td> <td colspan="2">ASY</td> <td colspan="2">A5</td> </tr> </table>						molex		QSFP-DD 1X1 CAGE ASSY SF WITH FIN H/S OPTIONS				PRODUCT CUSTOMER DRAWING				DOCUMENT NUMBER		DOC TYPE		DOC PART		REVISION		2031433201		PSD		ASY		A5	
molex		QSFP-DD 1X1 CAGE ASSY SF WITH FIN H/S OPTIONS																																	
		PRODUCT CUSTOMER DRAWING																																	
DOCUMENT NUMBER		DOC TYPE		DOC PART		REVISION																													
2031433201		PSD		ASY		A5																													

PCB LAYOUT FOR BELLY TO BELLY MOUNTING

HATCHED AREA DENOTES COMPONENT KEEP-OUT AND NO SURFACE TRACES. (EXCEPT CHASSIS GROUND)

DATUM -A- IS THE TOP SURFACE OF HOST BOARD

PAD TO CHASSIS GROUND. COMPONENT KEEP-OUT AND NO SURFACE TRACE. (NOTE 1)

22X $\varnothing 1.05 \pm 0.05$

$\varnothing 0.05 \text{ M}$ A L-K C

AREA DENOTES COMPONENT KEEP-OUT

CROSS HATCHED AREA DENOTES COMPONENT KEEP-OUT. REFER TO THE MOLEX APPLICATION SPECIFICATION (AS_2031430001) TO AVOID DAMAGE THE PCB TRACE.

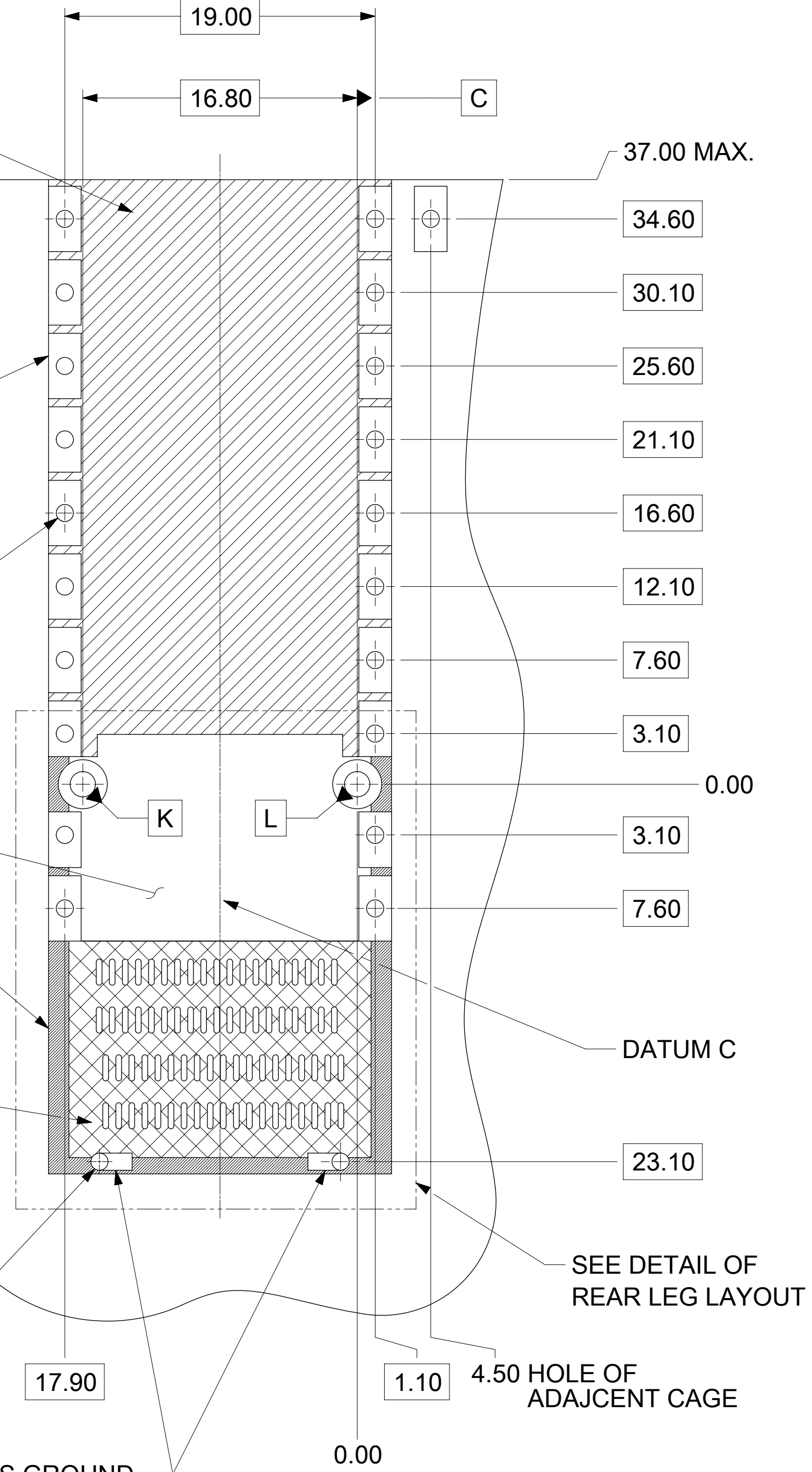
CROSS HATCHED AREA REFER TO 2027189040-RS ROUTING GUIDE FOR CONNECTOR TRACE RECOMMENDATION.

HOLES FOR OPTIONAL REAR LEGS

PAD TO CHASSIS GROUND. COMPONENT KEEP-OUT AND NO SURFACE TRACE. (NOTE 4.)

NOTES:

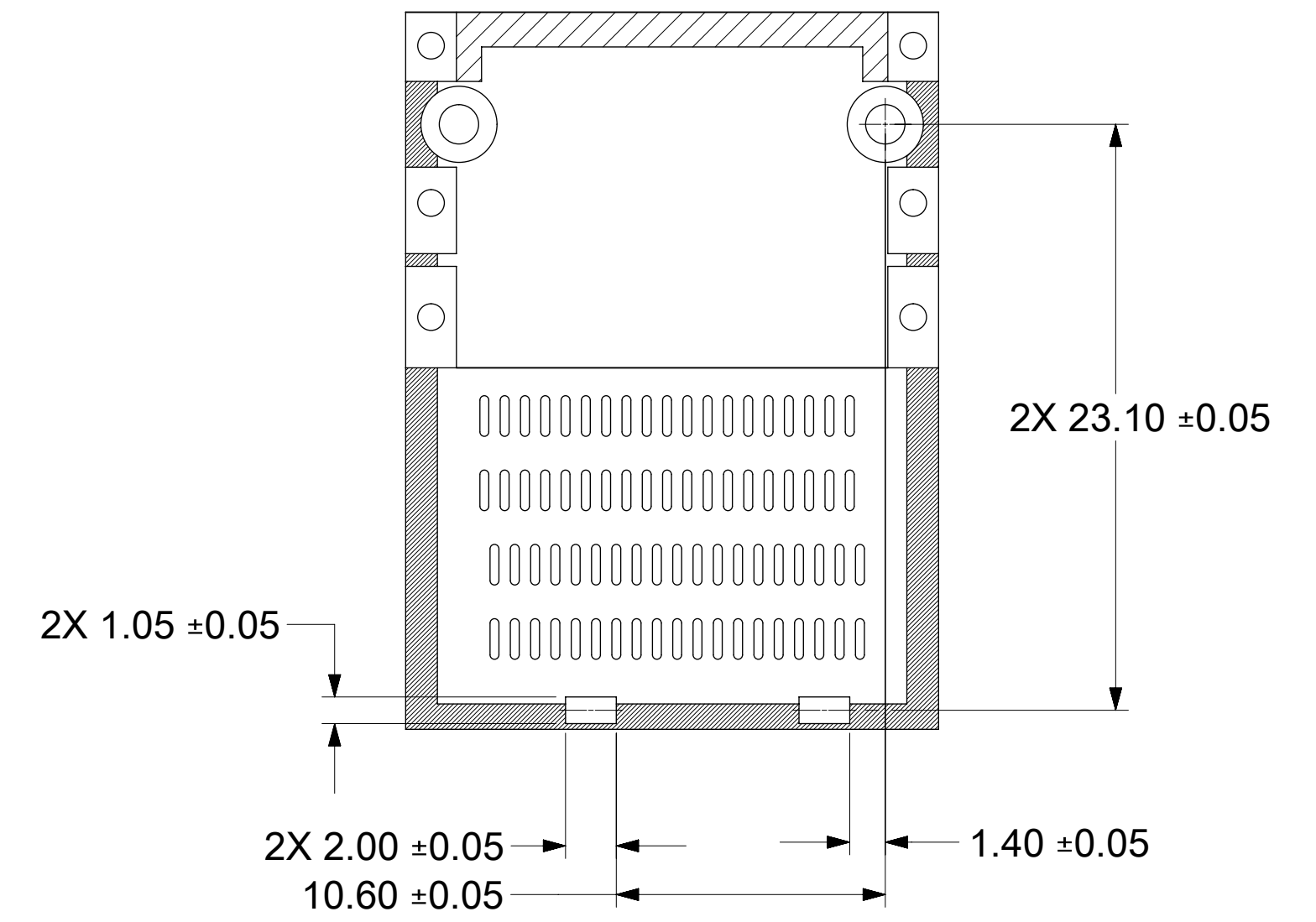
1. PADS AND VIAS GO TO CHASSIS GROUND. (RECOMMENDED PADS TO BE 2.00 x 4.00mm RECTANGLE.)
2. RECOMMENDED THRU HOLE PLATING INCLUDES HASL, OSP, OR IMMERSION (GOLD, SILVER, OR TIN).
3. CONNECTOR PAD LAYOUT PER QSFP-DD WILL ACCOMMODATE MOLEX CONNECTOR SERRIES 202718.
4. PADS AND VIAS GO TO CHASSIS GROUND. (RECOMMENDED PADS TO BE 1.05 x 2.00mm RECTANGLE)



NOTE:
SEE SHEET 4 FOR
HOST CONNECTOR DETAIL

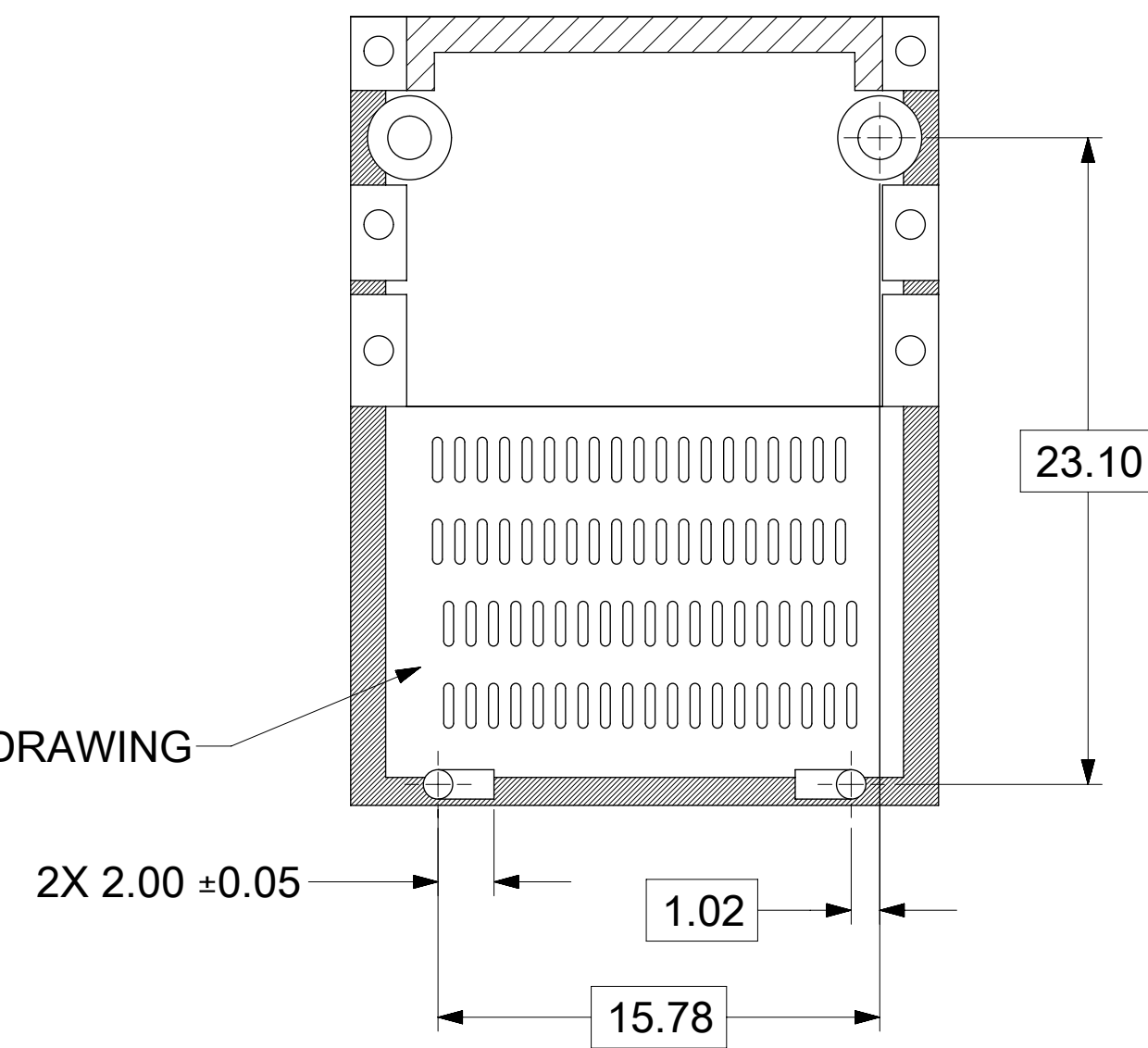
REFER TO CONNECTOR DRAWING
(P/N 2027180100)

0 REAR LEGS



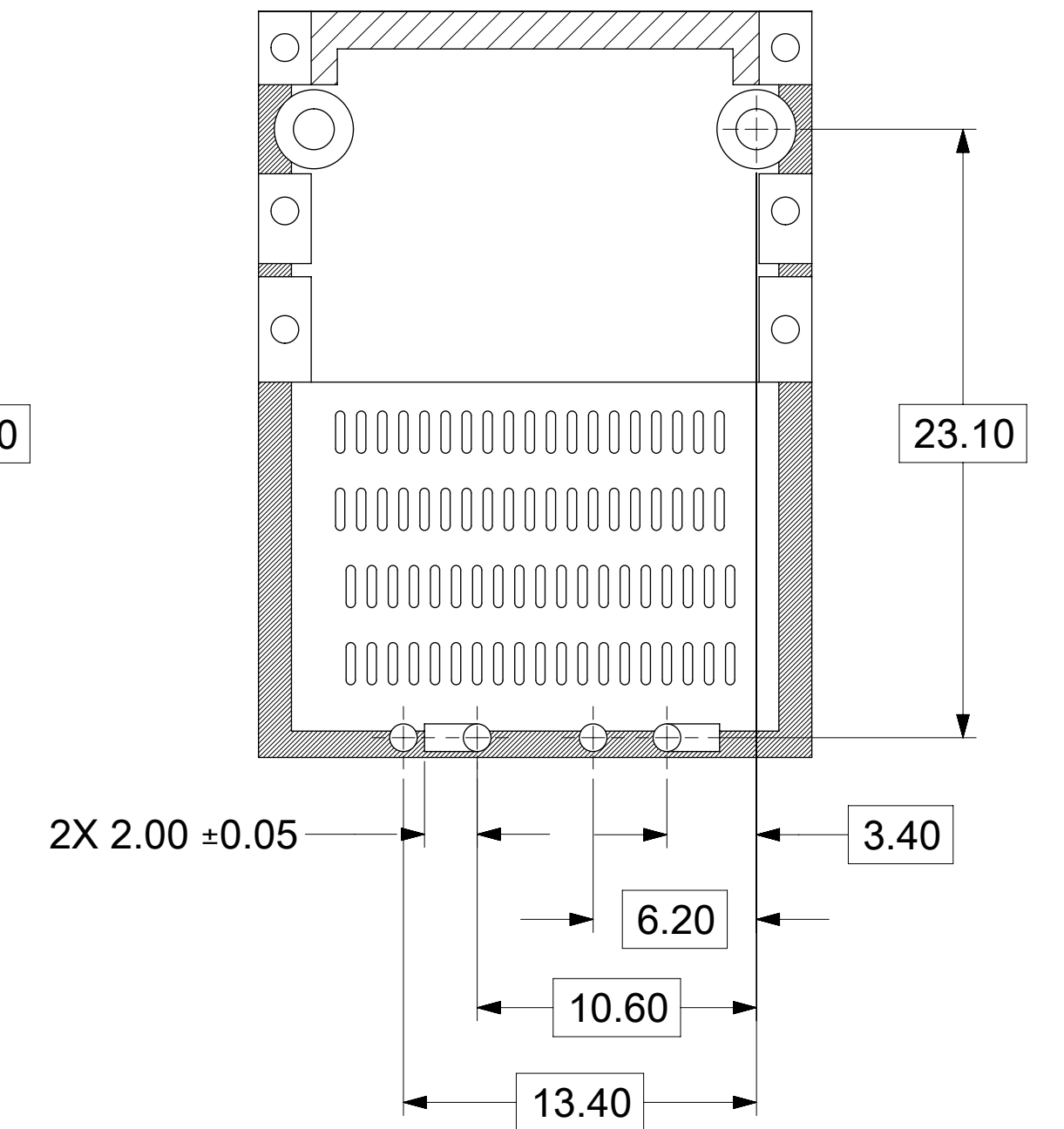
PARTIAL 1
SCALE 4:1

1 REAR LEG



PARTIAL 2
SCALE 4:1

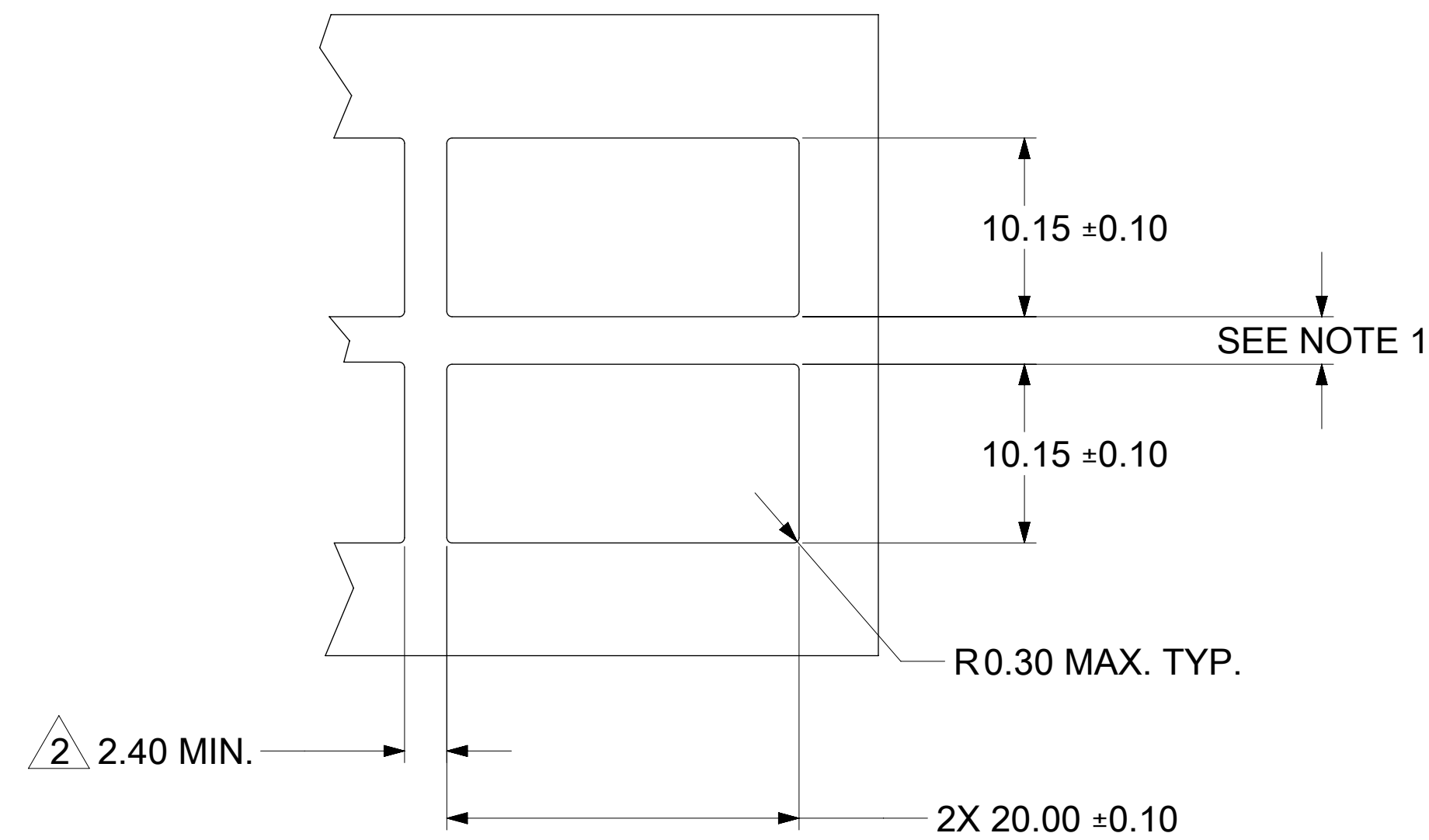
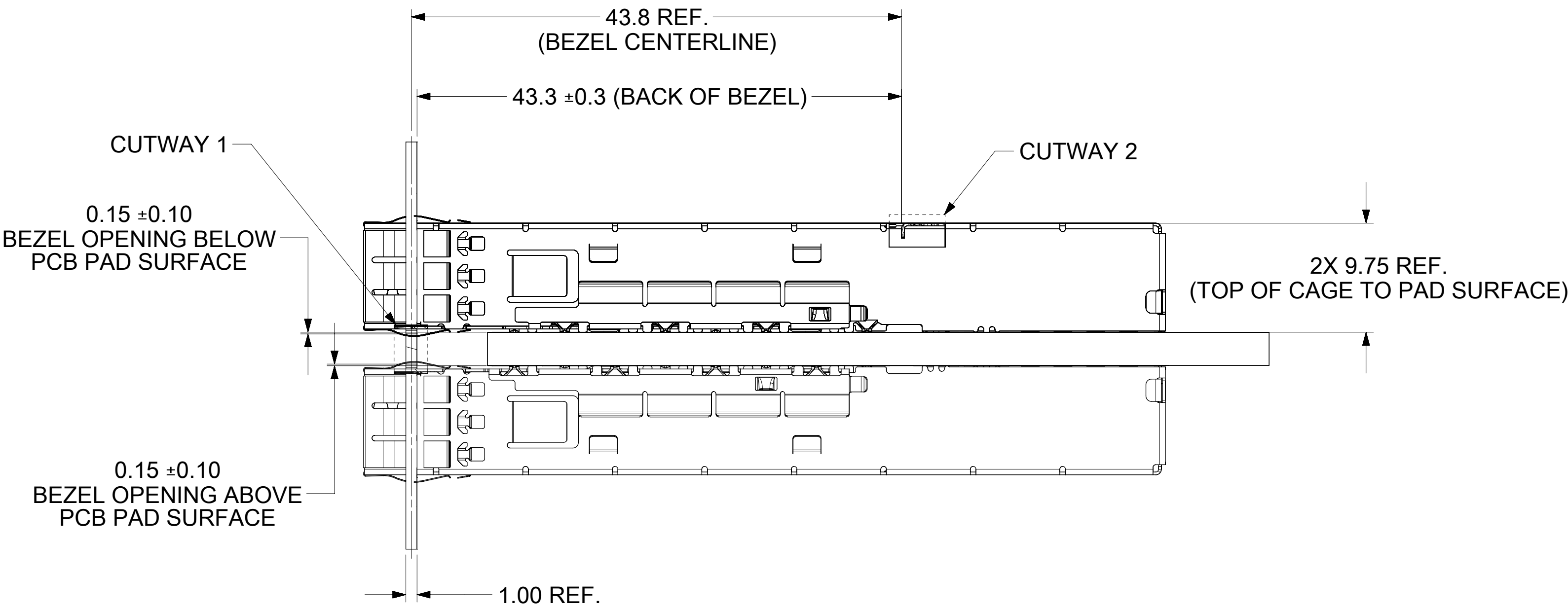
2 REAR LEGS



PARTIAL 3
SCALE 4:1

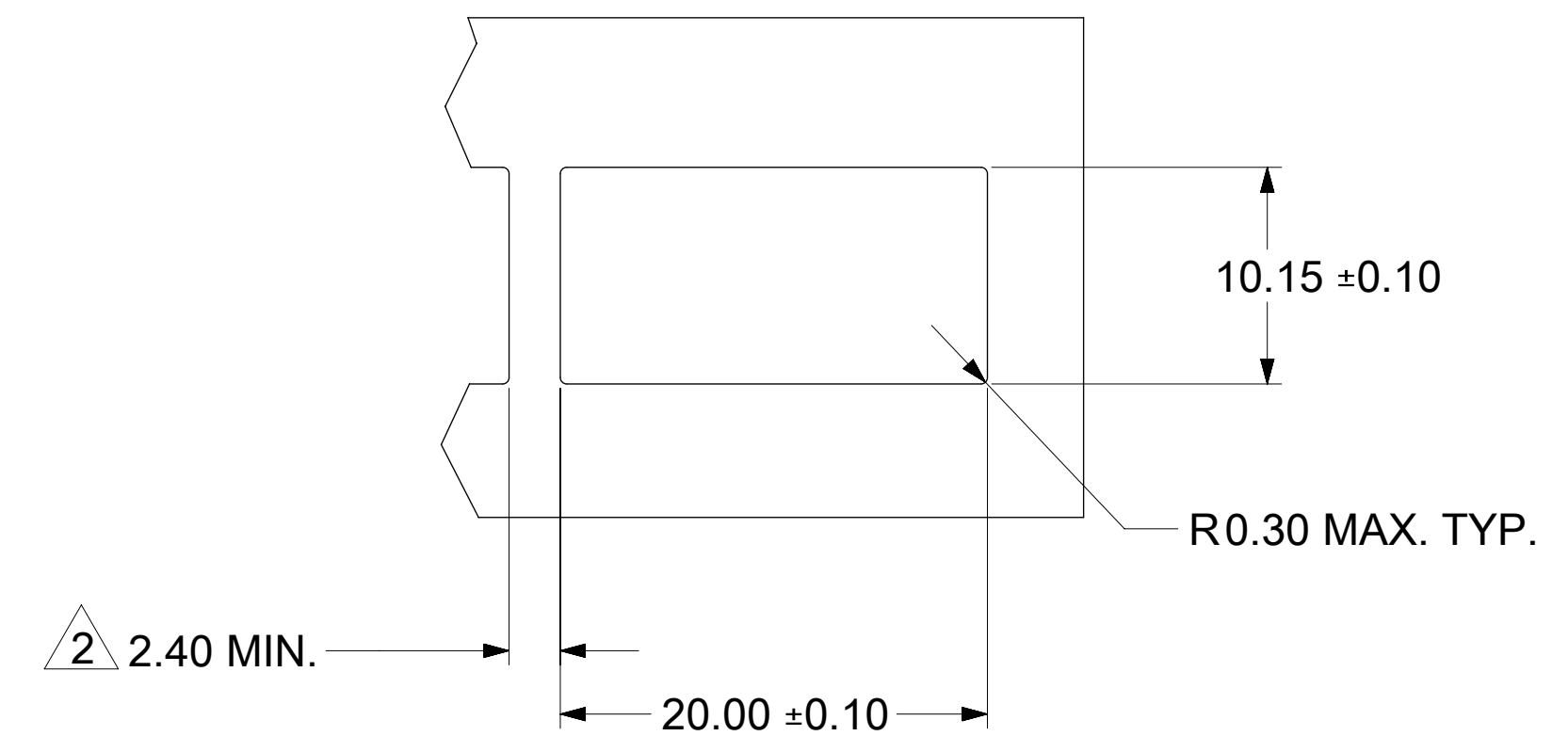
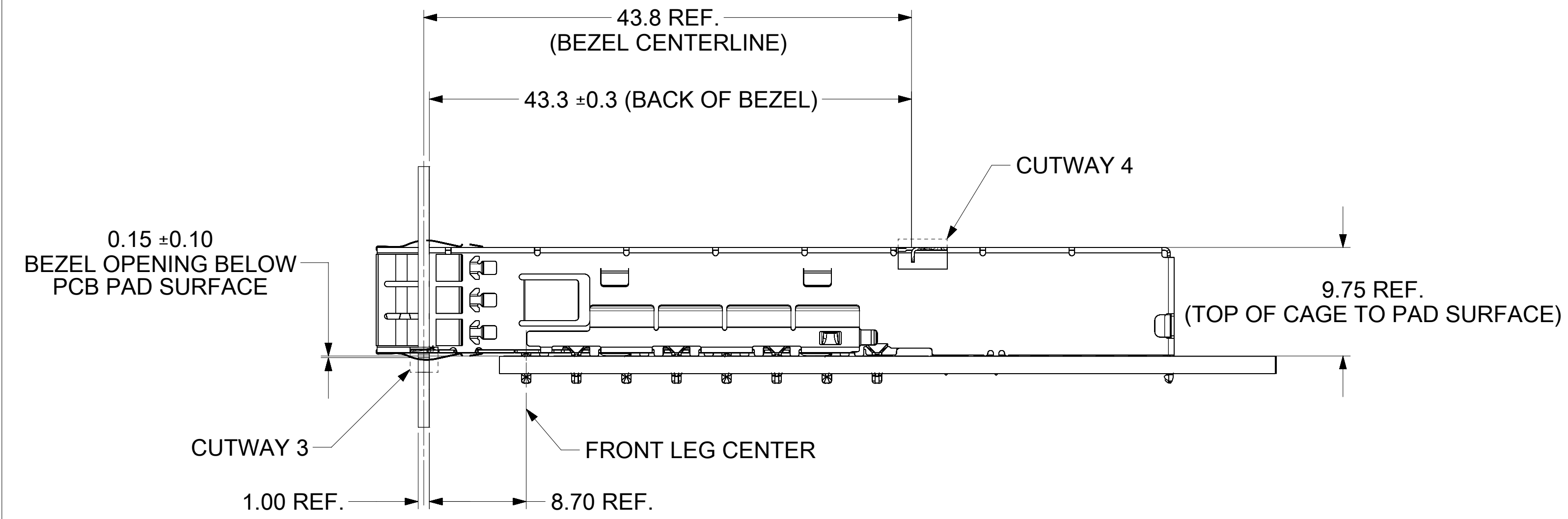
THIS DRAWING CONTAINS INFORMATION THAT IS PROPRIETARY TO MOLEX ELECTRONIC TECHNOLOGIES, LLC AND SHOULD NOT BE USED WITHOUT WRITTEN PERMISSION									
DIMENSION UNITS mm	SCALE 4:1	CURRENT REV DESC: SEE REVISION TABLE							
GENERAL TOLERANCES (UNLESS SPECIFIED)		<p>QSFP-DD 1X1 CAGE ASSY SF WITH FIN H/S OPTIONS</p> <p>PRODUCT CUSTOMER DRAWING</p>							
ANGULAR TOL	$\pm 2.0^\circ$								
4 PLACES	\pm								
3 PLACES	\pm								
2 PLACES	± 0.13								
1 PLACE	± 0.25								
0 PLACES	\pm	INITIAL REVISION:		DOCUMENT NUMBER		DOC TYPE		DOC PART	
DRAFT WHERE APPLICABLE MUST REMAIN WITHIN DIMENSIONS		THIRD ANGLE PROJECTION	DRAWING	SERIES	MATERIAL NUMBER	CUSTOMER		SHEET NUMBER	
			D-SIZE	203143	SEE P/N TABLE	GENERAL MARKET		5 OF 7	

BEZEL AND BOARD POSITION DIMENSIONS FOR BELLY TO BELLY MOUNTING




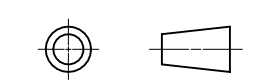
NOTE:
 1. PCB THICKNESS VARIATION MUST BE CONSIDERED WHEN DETERMINING BEZEL OPENING LOCATION.
 2. THIS DIMENSION IS FOR REFERENCE ONLY. USER CAN MODIFY IT DEPENDS ON APPLICATION.
 (THIS DIMENSION VARIES BASED ON DISTANCE OF "HOLE OF ADJACENT CAGE" ON PCB LAYOUT.)

BEZEL AND BOARD POSITION DIMENSIONS FOR SINGLE SIDE MOUNTING



THIS DRAWING CONTAINS INFORMATION THAT IS PROPRIETARY TO MOLEX ELECTRONIC TECHNOLOGIES, LLC AND SHOULD NOT BE USED WITHOUT WRITTEN PERMISSION									
DIMENSION UNITS	SCALE	CURRENT REV DESC: SEE REVISION TABLE							
mm	3:1	<div style="text-align: center;">molex</div> QSFP-DD 1X1 CAGE ASSY SF WITH FIN H/S OPTIONS PRODUCT CUSTOMER DRAWING							
GENERAL TOLERANCES (UNLESS SPECIFIED)									
ANGULAR TOL	± 2.0°								
4 PLACES	±								
3 PLACES	±								
2 PLACES	± 0.13								
1 PLACE	± 0.25	EC NO: 705875	2022/08/04		DOCUMENT NUMBER: 2031433201 DOC TYPE: PSD DOC PART: ASY REVISION: A5				
0 PLACES	±	DRWN: MCHEN104	2022/08/05						
DRAFT WHERE APPLICABLE MUST REMAIN WITHIN DIMENSIONS		CHK'D: THSU02	2022/08/08						
THIRD ANGLE PROJECTION		DRAWING SERIES		MATERIAL NUMBER		CUSTOMER		SHEET NUMBER	
D-DRAWING		203143		2019/08/16		GENERAL MARKET		6 OF 7	

REV	DATE	DESCRIPTION
A	2019/07/17	INITIAL RELEASE
A1	2019/08/23	SHEET 6 : D4 & D14 : CHANGED R0.30 TYP. TO R0.30 MAX. TYP. SHEET 6 : G9 & G17 : CHANGED BEZEL THICKNESS FROM 1.60 REF. TO 1.00 REF. SHEET 6 : K6 & K16 : CHANGED FROM 43.0 ±0.3 TO 43.3 ±0.3 SHEET 6 : G7 : CHANGED FROM 8.40 REF. TO 8.70 REF.
A2	2020/05/20	SHEET 1 : CHANGED DEMONSTRATED CAGE FROM 2031433244 TO 2031433245 SHEET 3 : F18 : OBSOLETE 2031433244 SHEET 4 : K06 : ADDED Ø3.00 TYP. SHEET 4 : K03 : ADDED 1.41 MIN.TYP. AND 2.00 MIN.TYP.
A3	2020/09/24	SHEET 4 & SHEET 5 : ADD NOTE 4 OF REAR PAD INFORMTION.
A4	2022/05/06	SHEET 4: E19&G19 ADDED NEW NOTE ON CROSS HATCHED FOR KEEP OUT ZONE AND ROUTING GUIDE SHEET 5: E19&F19 ADDED NEW NOTE ON CROSS HATCHED FOR KEEP OUT ZONE AND ROUTING GUIDE
A5	2022/08/04	SHEET 1: E9: ADDED DIMENSION 1.73 SHEET 2 : ADDED DIM. "B" AND DIM. "C" AND TABLE

THIS DRAWING CONTAINS INFORMATION THAT IS PROPRIETARY TO MOLEX ELECTRONIC TECHNOLOGIES, LLC AND SHOULD NOT BE USED WITHOUT WRITTEN PERMISSION													
DIMENSION UNITS		SCALE		CURRENT REV DESC: SEE REVISION TABLE									
mm		1:1											
GENERAL TOLERANCES (UNLESS SPECIFIED)				EC NO: 705875 DRWN: MCHEN104 2022/08/04 CHK'D: THSU02 2022/08/05 APPR: SCHIEN 2022/08/08 INITIAL REVISION: DRWN: SCHIEN 2019/06/10 APPR: JCHIANG 2019/08/16				DOCUMENT NUMBER		DOC TYPE	DOC PART	REVISION	
ANGULAR TOL ± 2.0°								2031433201		PSD	ASY	A5	
4 PLACES ±													
3 PLACES ±													
2 PLACES ± 0.13													
1 PLACE ± 0.25													
0 PLACES ±													
DRAFT WHERE APPLICABLE MUST REMAIN WITHIN DIMENSIONS				THIRD ANGLE PROJECTION		DRAWING	SERIES	MATERIAL NUMBER	CUSTOMER	SHEET NUMBER			
						D-SIZE	203143	SEE P/N TABLE	GENERAL MARKET	7 OF 7			