



PRODUCT NUMBER
20020621-XXXXXXLF

20020621- □ □ □ □ A 0 □ LF

PITCH
M : 7.62 mm

POLES
02: 2 POLES
03: 3 POLES
04: 4 POLES
.
.
16: 16 POLES

LF : DENOTED ROHS COMPATIBLE

1 : STANDARD PRODUCT
W/ BOX PACKING

PROPERTY TABLE	
FCI SERIES NAME	07-762
PITCH (mm)	7.62
VOLTAGE RATING (VAC)	300
CURRENT RATING (A)	32
WITHSTANDING VOLTAGE (kV)	1.6
OPERATING TEMP. (°C)	-40~+115
SOLDERING TEMP. (°C)	250±10 (5 sec.)
POLES AVAILABLE	02~16
SAFETY CERTIFICATE	

HOUSING CODE

CODE	COLOR	AVAILABILITY
1	GREEN(RAL 6018/T)	STANDARD
2	BLACK	ON REQUEST ONLY
3	GREY(RAL 7004/P)	ON REQUEST ONLY
4	BLUE(RAL 5015/A)	ON REQUEST ONLY

NOTES:

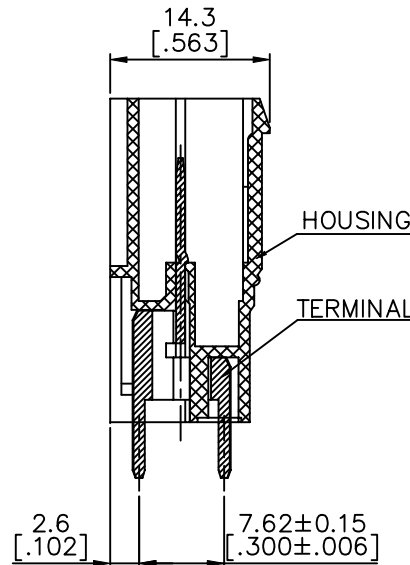
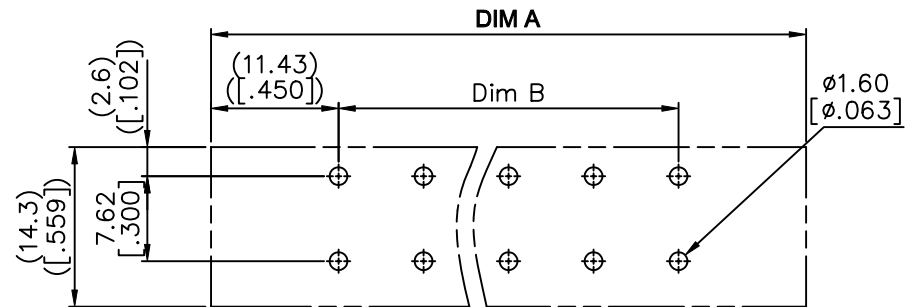
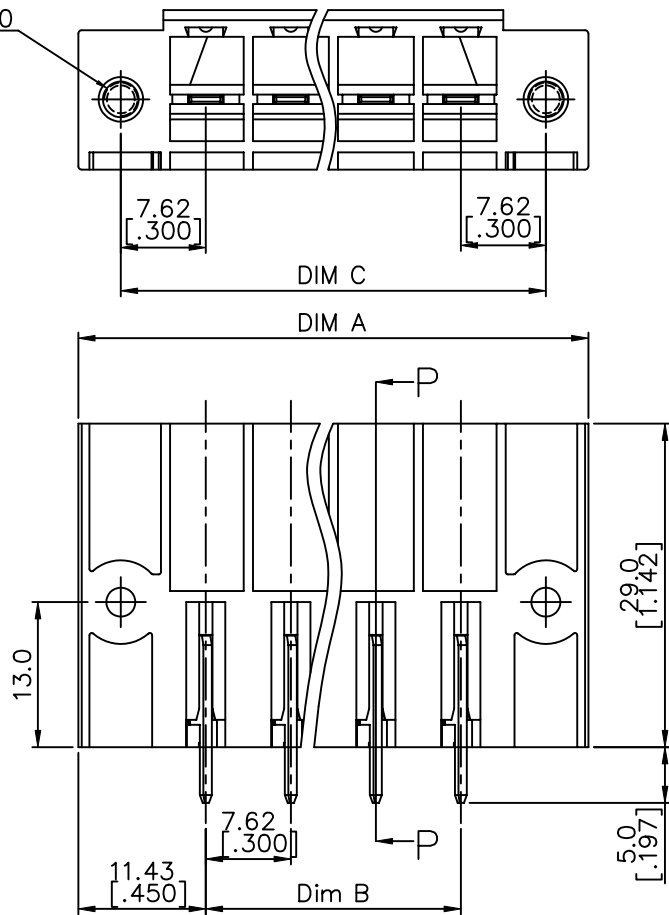
- MATERIALS
1-1 HOUSING: THERMALPLASTIC RESIN, UL 94V-0 RATED.
1-2 TERMINAL: COPPER ALLOY, TIN PLATED.
- PRODUCTION SPECIFICATION REFER TO FCI GS-12-625.
- BOXED PACKAGING.
DETAILED PRODUCT PACKING SPECIFICATION REFER TO FCI GS-14-1394.
- FCI, SAFETY CERTIFICATE LOGO AND SERIES NAME TO BE SHOWN ON PRODUCT SURFACE.
- THE PRODUCTS WHERE THE PART NUMBER END IN "LF" MEET THE EUROPEAN UNION DIRECTIVE AND OTHER COUNTRY REGULATIONS AS DESCRIBED IN GS-22-008.
- RECOMENDED SOLDERING PROCESS BY WAVE SOLDER.

mat'l. code				surface ASME Y14.5		tolerance ASME Y14.5		projection		product family TERMINAL BLOCK	
ltr	ecn no	dr	date	tolerances unless otherwise specified		angles		MM [INCH]		title TERMINAL BLOCK PLUGGABLE SOCKET, POWER, STRAIGHT W/FLANGE	
A	T10-0062	WL	050710	X.±0.5		°		scale		sheet 1 of 2 size	
B	T10-0155	WL	093010	X.X±0.3		°				A4	
C	T10-0187	WL	121410	X'±1"		°				dwg no 20020621	
D	T-004860	WL	080411	dr WENDY CHEN 042610				FCI		type CUSTOMER Drawing	
				enr JASON HSU 042610							
				chr GARY HSIEH 042610							
				appd JOSEPH HSIA 042610							
sheet index	revision sheet	D	D								
		1	2								



PRODUCT NUMBER	SERIES NAME	PITCH
20020621-MXXXXXLF	07-762	7.62 mm

FLANGE NUT M3.0



N = Number of poles
 Dim A = (N-1) × 7.62 [.300] + 22.86 [.900]
 Dim B = (N-1) × 7.62 [.300]
 Dim C = (N+1) × 7.62 [.300]

Poles	Tol.	Dim A	Dim B	Dim C
2-4p		±0.15 [.006]		
5-8p		±0.25 [.010]		
9-12p		±0.35 [.014]		
13-16p		±0.40 [.016]		

mat'l. code		surface ASME Y14.5 ✓	tolerance ASME Y14.5	projection 	product family TERMINAL BLOCK
ltr	ecn no	dr	date	title TERMINAL BLOCK PLUGGABLE SOCKET, POWER, STRAIGHT W/FLANGE	
D				MM [INCH]	
				scale	
		dr	WENDY CHEN	042610	sheet 2 of 2 size
		enr	JASON HSU	042610	20020621
		chr	GARY HSIEH	042610	
		appd	JOSEPH HSIA	042610	
sheet index	revision sheet				type CUSTOMER Drawing

