

6

5

4

3

2

1

E

E

D

D

C

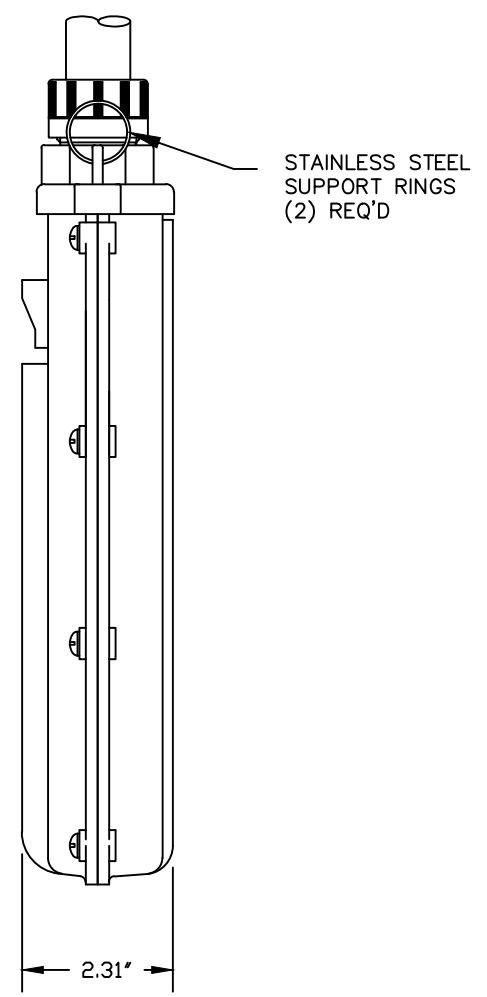
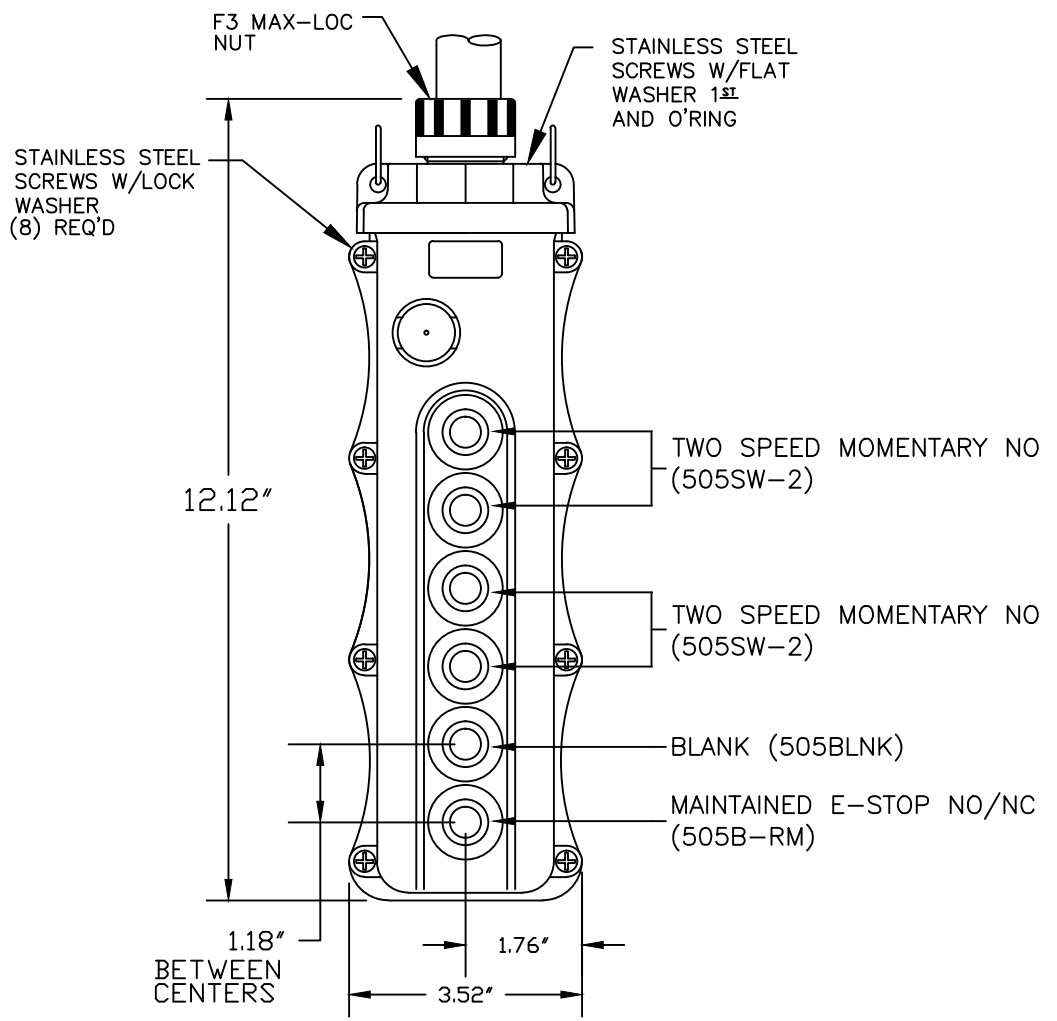
C

B

B

A

A



- NOTES:
1. INSTALLATION INSTRUCTIONS, BUTTON ID. LABELS. ARE PACK WITH THE PART.
 2. ALL BUTTONS ARE HIGH AMBIENT, CHEMICALLY RESISTANT MATERIAL - COLOR BLACK

RELEASE SALES DRAWING EC NO: ICG2014-1733 DRWN: HRUIZ01 2014/04/03 CHKD: HKNEELAN APPR: JFMURPHY 2014/04/23	QUALITY SYMBOLS	GENERAL TOLERANCES (UNLESS SPECIFIED)		DIMENSION STYLE INCH		SCALE NTS	DESIGN UNITS INCH	THIRD ANGLE PROJECTION		
	$\nabla=0$ $\sphericalangle=0$	4 PLACES	mm	INCH	DRAWN BY	DATE	TITLE			
		3 PLACES	±---	±---	HRUIZ01	2014/04/03	5056 PENDANT STATION			
		2 PLACES	±---	±.005	CHECKED BY	DATE	W/ (2)505SW-2			
		1 PLACE	±---	±.010	HKNEELAN	2014/04/03	(1)505BLNK (1)505B-RM			
				APPROVED BY	DATE	MOLEX INCORPORATED				
				JFMURPHY	2014/04/23	MATERIAL NO. 130126-0350				
				ANGULAR ±1/2°		DOCUMENT NO. SD-130126-065				
				DRAFT WHERE APPLICABLE MUST REMAIN WITHIN DIMENSIONS		SHEET NO. 1 OF 1				
				SIZE A	THIS DRAWING CONTAINS INFORMATION THAT IS PROPRIETARY TO MOLEX INCORPORATED AND SHOULD NOT BE USED WITHOUT WRITTEN PERMISSION					

6

5

4

3

2

1