

| MATERIAL NO. | ENGINEERING NO. | FINISHED LENGTH |
|--------------|-----------------|-----------------------|
| 1300640447 | CC3030K19M010E | 1M (3 FT 3.37 IN) |
| 1300642064 | CC3030K19M900G | 90M (295 FT 3.31 IN) |
| 1300642110 | CC3030K19T200E | 200M (656 FT 2.02 IN) |

CABLE LENGTH TOLERANCES

<.3M [1FT]: +19mm-0 [+ .75in-0]

.3 - .9M [1 - 3FT]: +44.5mm-0 [+1.75in-0]

.9 - 1.8M [3 - 6FT]: +55.6mm-0 [+2.19in-0]

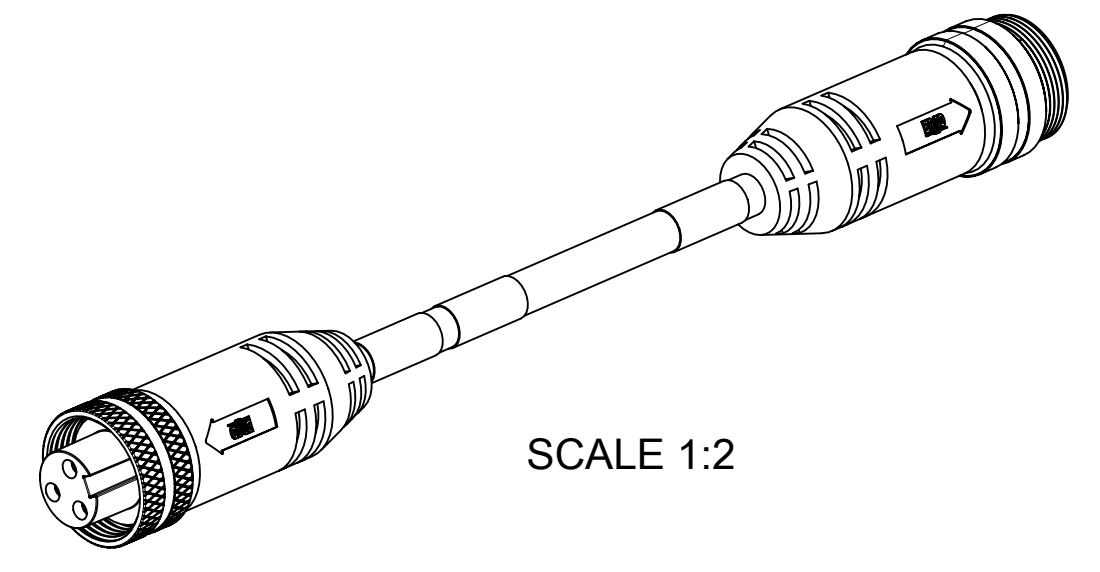
1.8 - 3.7M [6 - 12FT]: +88.9mm-0 [+3.50in-0]

3.7 - 7.3M [12 - 24FT]: +165.1mm-0 [+6.50in-0]

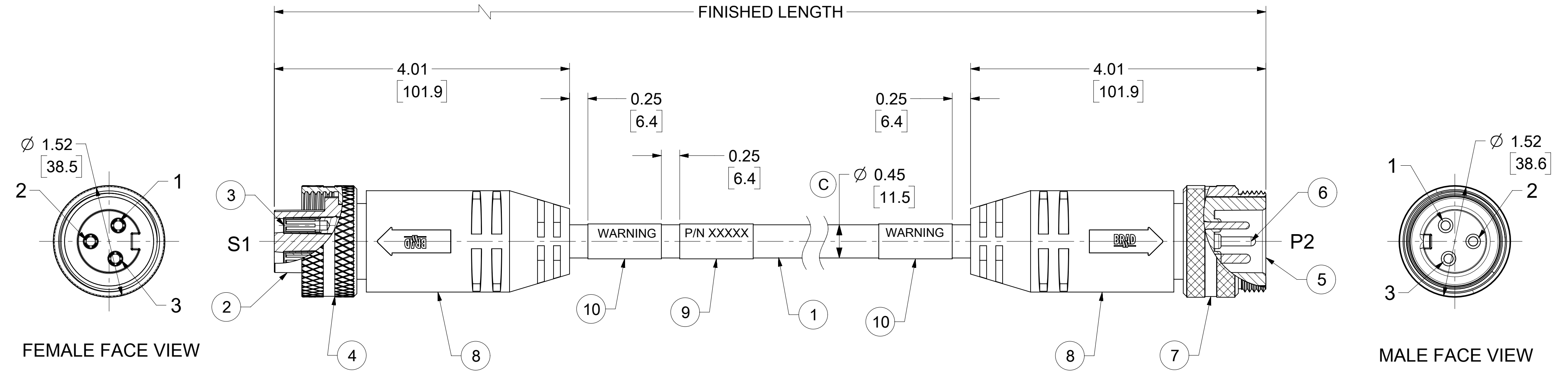
7.3-14.6M [24 - 48FT]: +317.5mm-0 [+12.50in-0]

14.6 - 30.5M [48-100FT]: +622.3mm-0 [+24.50in-0]

OVER 30M [100FT] +2% OF FINISHED LENGTH

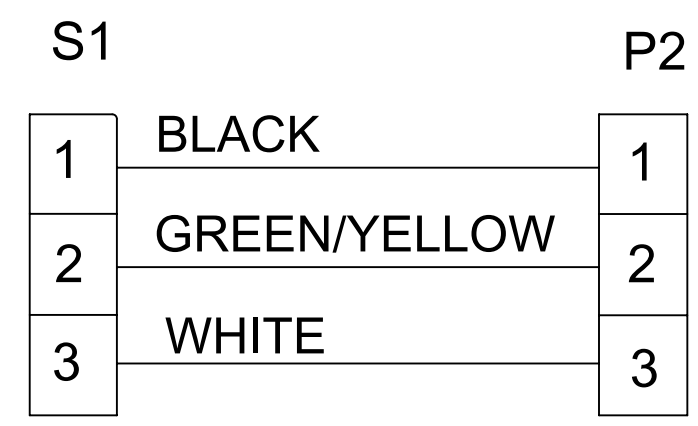


SCALE 1:2



- NOTES:**
1. MATERIAL: AS NOTED
 2. FINISH: AS NOTED
 3. ELECTRICAL:
VOLTAGE: 630V PER IEC60664
600V PER UL2237
CURRENT: 32A
 4. TEMP RATING: -20°C TO +90°C
 5. PROTECTION: IP67 (WHEN MATED)
 6. UL LISTED FILE: 258922
 7. COUPLING THREAD: 1 3/8"-16 UN
 8. ALL DIMS ARE FOR REFERENCE UNLESS TOLERANCED OR NOTED OTHERWISE

WIRING DIAGRAM



PART NUMBER LEGEND

CC3030K19M010E

OVERMOLD OPTION
E=RED
G=BLACK

FINISHED LENGTH
M001 = 0.1 METER
M010 = 1.0 METER
M100 = 10.0 METER
T100 = 100 METER

| ITEM | DESCRIPTION | MATERIAL | FINISH |
|------|---------------------|-----------|------------------|
| 10 | WARNING LABEL | VINYL | ORANGE/BLACK |
| 9 | WRAP LABEL | VINYL | BLACK/YELLOW |
| 8 | OVERMOLDS | TPE | SEE LEGEND |
| 7 | MALE COUPLING NUT | ALUMINIUM | CLEAR ANODIZE |
| 6 | CONTACT PIN | Cu ALLOY | GOLD OVER NICKEL |
| 5 | MALE INSERT | TPE | BLACK |
| 4 | FEMALE COUPLING NUT | ALUMINIUM | CLEAR ANODIZE |
| 3 | SOCKET CONTACT | Cu ALLOY | GOLD OVER NICKEL |
| 2 | FEMALE INSERT | TPE | BLACK |
| 1 | #10-3, CABLE, TC-ER | TPE | BLACK |

| | | | | | | | |
|--|---|------------------------|---|-----------------|----------------|----------|--------------|
| FUNCTIONAL SYMBOLS FA=0 FC=0 FP=0 | THIS DRAWING CONTAINS INFORMATION THAT IS PROPRIETARY TO MOLEX ELECTRONIC TECHNOLOGIES, LLC AND SHOULD NOT BE USED WITHOUT WRITTEN PERMISSION | | CURRENT REV DESC: UPDATED ITEM #2, 5 & 8 WERE PVC, MATERIAL TABLE, TOL. TABLE & PART NO. LEGEND. ADDED CABLE DIA. | | | | |
| | DIMENSION UNITS | SCALE | EC NO: 709714 | | | | |
| | INCH/MM | 1:1 | DRWN: VHANDI | 2020/05/29 | | | |
| | GENERAL TOLERANCES (UNLESS SPECIFIED) | | CHK'D: RSTONE | 2022/06/08 | | | |
| DIVISIONAL SYMBOLS | 4 PLACES | ± | APPR: BWOODMAN | 2022/06/14 | | | |
| | 3 PLACES | ± | INITIAL REVISION: | | | | |
| | 2 PLACES | ± | DRWN: B.RUPERT | 2001/12/10 | | | |
| | 1 PLACE | ± | APPR: BWOODMAN | 2014/09/04 | | | |
| DRAFT WHERE APPLICABLE MUST REMAIN WITHIN DIMENSIONS | | THIRD ANGLE PROJECTION | DRAWING | SERIES | | | |
| | | | C-SIZE | 130064 | | | |
| DOCUMENT STATUS | P1 | RELEASE DATE | 2022/06/14 13:48:42 | DOCUMENT NUMBER | DOC TYPE | DOC PART | REVISION |
| | | | | SD-130064-005 | PSD | 001 | C |
| | | | | MATERIAL NUMBER | CUSTOMER | | SHEET NUMBER |
| | | | | SEE TABLE | GENERAL MARKET | | 1 OF 1 |