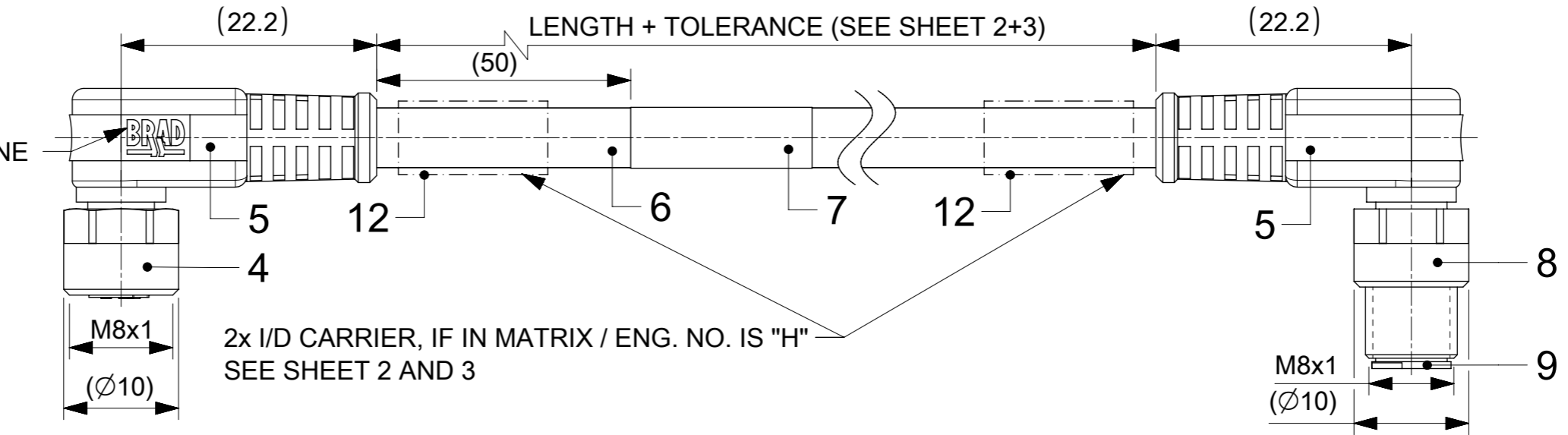
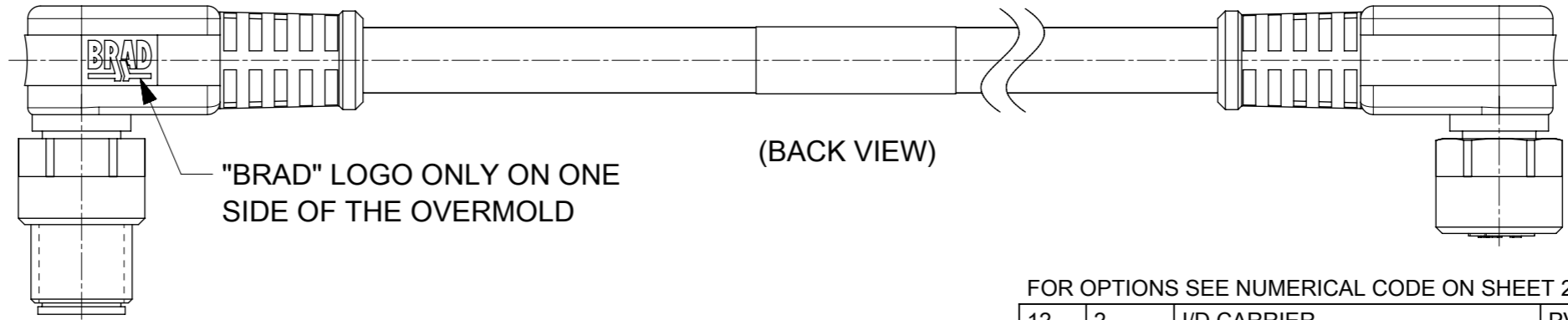
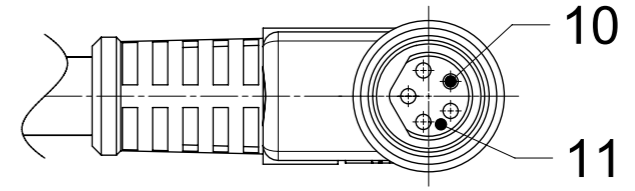
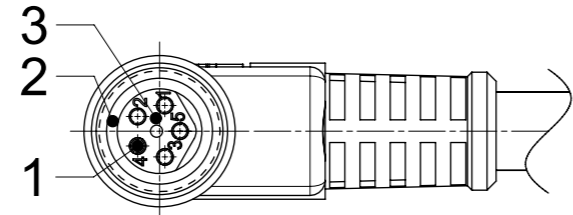


# FEMALE PLUG M8 90° ANGLED TO MALE PLUG M8 90° ANGLED WSOR CABLES

"BRAD" LOGO ONLY ON ONE SIDE OF THE OVERMOLD

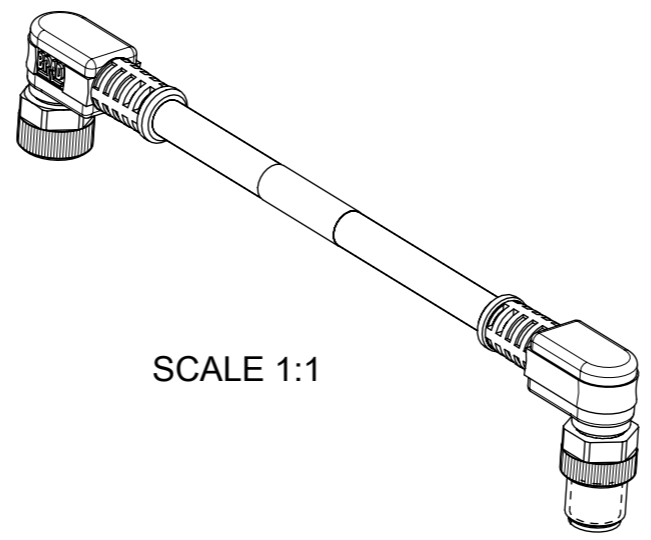


- NOTES:**
- PRODUCT SPECIFICATION:  
 RATED VOLTAGE:  
 3 contacts 60V AC/DC  
 4 and 5 contacts 30V AC/DC  
 CURRENT RATING: 3, 4, 5 contacts 3A  
 PROTECTION CLASS: IP 67  
 TEMPERATURE: -25°C / +80°C
  - PACKAGING: THE CORDSETS ARE PACKED IN PLASTIC BAGS AND DELIVERED IN CARTON BOXES
  - SAFETY: INSTALLATION, MOUNTING, AND MAINTENANCE OF THE PRODUCT MAY ONLY BE CARRIED OUT BY A QUALIFIED ELECTRICIAN



**CONTACT POSITION FRONT VIEW:**

	3 CONTACTS - AC		4 CONTACTS - AC		5 CONTACTS - BC	
FEMALE						
MALE						
CONNECTIONS	PIN	WIRE	PIN	WIRE	PIN	WIRE
	1	BROWN	1	BROWN	1	BROWN
	3	BLUE	2	WHITE	2	WHITE
	4	BLACK	3	BLUE	3	BLUE
			4	BLACK	4	BLACK
					5	GREY



FOR OPTIONS SEE NUMERICAL CODE ON SHEET 2

ITEM	QTY.	DESCRIPTION	MATERIAL	FINISH
12	2	I/D CARRIER	PVC	---
11	1	INSERT MALE BLACK	TPU	---
10	3 / 4 / 5	CONTACT M8 MALE	BRASS	SELECTIVE Au OVER Ni
9	1	SLEEVE	BRASS	NICKEL
8	1	COUPLING NUT M8 MALE SW9	BRASS	NICKEL
7	1	LABEL YELLOW	VINYL	---
6	-	CABLE	SEE SHEET 2	---
5	-	OVERMOLD BLACK	TPU	---
4	1	COUPLING NUT M8 FEMALE SW9	BRASS	NICKEL
3	1	INSERT FEMALE BLACK	TPU	---
2	1	O-RING RED	FKM	---
1	3 / 4 / 5	CONTACT M8 FEMALE	BRASS	SELECTIVE Au OVER Ni

THIS DRAWING CONTAINS INFORMATION THAT IS PROPRIETARY TO MOLEX ELECTRONIC TECHNOLOGIES, LLC AND SHOULD NOT BE USED WITHOUT WRITTEN PERMISSION

SYMBOLS:  $\nabla = 0$  DIMENSION UNITS: mm SCALE: 2:1

GENERAL TOLERANCES (UNLESS SPECIFIED):  
 ANGULAR TOL  $\pm 1.0^\circ$   
 4 PLACES  $\pm$   
 3 PLACES  $\pm$   
 2 PLACES  $\pm 0.05$   
 1 PLACE  $\pm 0.3$   
 0 PLACES  $\pm 0.5$

DRAFT WHERE APPLICABLE MUST REMAIN WITHIN DIMENSIONS

THIRD ANGLE PROJECTION

DRAWING: A3-SIZE  
 SERIES: 120087  
 MATERIAL NUMBER: SEE SHEET 3  
 CUSTOMER: GENERAL MARKET  
 SHEET NUMBER: 1 OF 3

EC NO: 687807  
 DRWN: RSCHIEBER 2021/12/06  
 CHK'D: RSILLER 2021/12/07  
 APPR: RSILLER 2021/12/07

INITIAL REVISION:  
 DRWN: RSCHIEBER 2018/11/19  
 APPR: RSILLER 2018/12/10

CURRENT REV DESC: NEW P/N'S ADDED

**molex**

CSE M8 M8 XP XC FE RA WSOR MA RA XM

PRODUCT CUSTOMER DRAWING

DOCUMENT NUMBER: 1200878769  
 DOC TYPE: PSD  
 DOC PART: 000  
 REVISION: A2

CODING ACCORDING TO IEC 61076-2-104

DOCUMENT STATUS: P1  
 RELEASE DATE: 2021/12/07 06:44:53

ENGINEERING NO. - NUMERICAL CODE (Available parts see PART LIST table. Other parts available upon request).

OPTIONS

4 4 X 0 3 3 B X X X X X X X

44=Nano-Change  
M8x1  
Double ended

Poles:  
3=3 Contacts  
4=4 Contacts  
5=5 Contacts

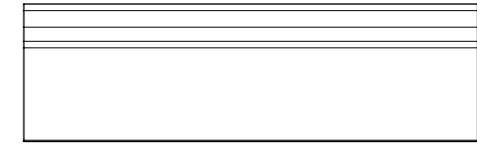
Heads style:  
032=Plug Female 90°  
to Plug Male 90°

Cable type: See Table

Units:  
M=Meter  
C=Centimeter

Length  
Examples:  
005=0.5 unit  
010=1 unit  
100=10 unit

Overmold color:  
Blank (Standard)=Black  
H= 2 pcs. of  
I/D Carrier PVC Transparent



CABLE INFORMATION (for more information see Cable Data Sheet)

CABLE TYPE	NO. OF WIRES	CROSS SECTION	CABLE JACKET	UL	CSA	STATIC: TEMP. / BENDING RADIUS	DYNAMIC: TEMP. / BENDING RADIUS	DRAG CHAIN: TEMP. / BENDING RADIUS	DRAG CHAIN	CABLE PRODUCT SPECIFICATION	CABLE SPEC. DRAWING
B41	3 / 4 / 5	0.25mm <sup>2</sup>	TPU Black	UL 21215/758	C22.2 I/II A/B 80°/600V	-40°C to +90°C 5xO.D.	-25°C to +80°C 7.5xO.D.	-5°C to +60°C 7.5xO.D.	up to 5 000 000 cycles at temp 20°C	1552200001	SD-120209-001

CABLE LENGTH TOLERANCES

LENGTH	TOLERANCE
0m-1m	+40 mm
>1m-5m	+60 mm
>5m-10m	+80 mm
>10m-20m	+140 mm
>20m-30m	+160 mm
>30m	+1% length

SYMBOLS	THIS DRAWING CONTAINS INFORMATION THAT IS PROPRIETARY TO MOLEX ELECTRONIC TECHNOLOGIES, LLC AND SHOULD NOT BE USED WITHOUT WRITTEN PERMISSION	
	DIMENSION UNITS	SCALE
▽ = 0	mm	2:1
▽ = 0	GENERAL TOLERANCES (UNLESS SPECIFIED)	
▽ = 0	ANGULAR TOL ± 1.0°	
▽ = 0	4 PLACES ±	CURRENT REV DESC: NEW P/N'S ADDED
▽ = 0	3 PLACES ±	
▽ = 0	2 PLACES ± 0.05	EC NO: 687807 DRWN: RSCHIEBER 2021/12/06 CHK'D: RSILLER 2021/12/07 APPR: RSILLER 2021/12/07
▽ = 0	1 PLACE ± 0.3	
▽ = 0	0 PLACES ± 0.5	INITIAL REVISION: DRWN: RSCHIEBER 2018/11/19 APPR: RSILLER 2018/12/10
□ = 0	DRAFT WHERE APPLICABLE MUST REMAIN WITHIN DIMENSIONS	
▽ = 0	THIRD ANGLE PROJECTION	DRAWING
		A3-SIZE
	SERIES	120087
	MATERIAL NUMBER	SEE SHEET 3
	CUSTOMER	GENERAL MARKET
	SHEET NUMBER	2 OF 3

**molex**

CSE M8 M8 XP XC FE RA WSOR MA RA XM

PRODUCT CUSTOMER DRAWING

DOCUMENT NUMBER	DOC TYPE	DOC PART	REVISION
1200878769	PSD	000	A2


PART LIST

No.	Molex PN.	Engineering No.	Cable Length
1	1200878757	443033B41M006	0.6m
2	1200878758	443033B41M010	1m
3	1200878759	443033B41M020	2m
4	1200878760	443033B41M030	3m
5	1200878761	443033B41M050	5m
6	1200878762	443033B41M100	10m
7	1200878763	444033B41M006	0.6m
8	1200878764	444033B41M010	1m
9	1200878765	444033B41M020	2m
10	1200878766	444033B41M030	3m
11	1200878767	444033B41M050	5m
12	1200878768	444033B41M100	10m
13	1200878769	445033B41M006	0.6m
14	1200878770	445033B41M010	1m
15	1200878771	445033B41M020	2m
16	1200878772	445033B41M030	3m
17	1200878773	445033B41M050	5m
18	1200878774	445033B41M100	10m
19	1200878875	443033B41M005H	0.5m
20	1200878876	443033B41M010H	1m
21	1200878877	443033B41M020H	2m
22	1200878878	443033B41M030H	3m
23	1200878879	443033B41M050H	5m
24	1200878880	443033B41M100H	10m
25	1200878881	443033B41M150H	15m
26	1200878913	443033B41M200H	20m
27	1200878914	443033B41M250H	25m
28	1200879046	444033B41M040	4m
29	1200879047	444033B41M080	8m
30			
31			
32			
33			
34			
35			

No.	Molex PN.	Engineering No.	Cable Length
36			
37			
38			
39			
40			
41			
42			
43			
44			
45			
46			
47			
48			
49			
50			
51			
52			
53			
54			
55			
56			
57			
58			
59			
60			
61			
62			
63			
64			
65			
66			
67			
68			
69			
70			

No.	Molex PN.	Engineering No.	Cable Length
71			
72			
73			
74			
75			
76			
77			
78			
79			
80			
81			
82			
83			
84			
85			
86			
87			
88			
89			
90			
91			
92			
93			
94			
95			
96			
97			
98			
99			
100			
101			
102			
103			
104			
105			

No.	Molex PN.	Engineering No.	Cable Length
106			
107			
108			
109			
110			
111			
112			
113			
114			
115			
116			
117			
118			
119			
120			
121			
122			
123			
124			
125			
126			
127			
128			
129			
130			
131			
132			
133			
134			
135			
136			
137			
138			
139			
140			

<b>SYMBOLS</b> ▽ = 0 ▽ = 0 ▽ = 0 ▽ = 0 ▽ = 0 ▽ = 0 ▽ = 0 ▽ = 0 ▽ = 0 ▽ = 0	THIS DRAWING CONTAINS INFORMATION THAT IS PROPRIETARY TO MOLEX ELECTRONIC TECHNOLOGIES, LLC AND SHOULD NOT BE USED WITHOUT WRITTEN PERMISSION DIMENSION UNITS: <b>mm</b> SCALE: <b>1:1</b>		CURRENT REV DESC: NEW P/N'S ADDED		  CSE M8 M8 XP XC FE RA WSOR MA RA XM	
	GENERAL TOLERANCES (UNLESS SPECIFIED) ANGULAR TOL ± 1.0°		EC NO: 687807 DRWN: RSCHIEBER    2021/12/06 CHK'D: RSILLER    2021/12/07 APPR: RSILLER    2021/12/07			PRODUCT CUSTOMER DRAWING DOCUMENT NUMBER: <b>1200878769</b> DOC TYPE: PSD    DOC PART: 000    REVISION: A2
	4 PLACES ± 3 PLACES ± 2 PLACES ± 0.05 1 PLACE ± 0.3 0 PLACES ± 0.5		INITIAL REVISION: DRWN: RSCHIEBER    2018/11/19 APPR: RSILLER    2018/12/10			
	DRAFT WHERE APPLICABLE MUST REMAIN WITHIN DIMENSIONS		THIRD ANGLE PROJECTION	DRAWING: <b>A3-SIZE</b>		SERIES: <b>120087</b>