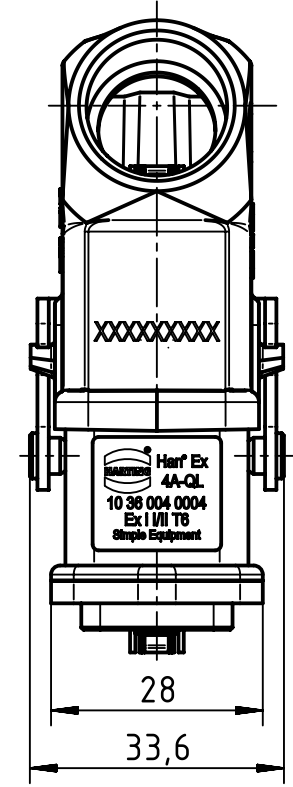
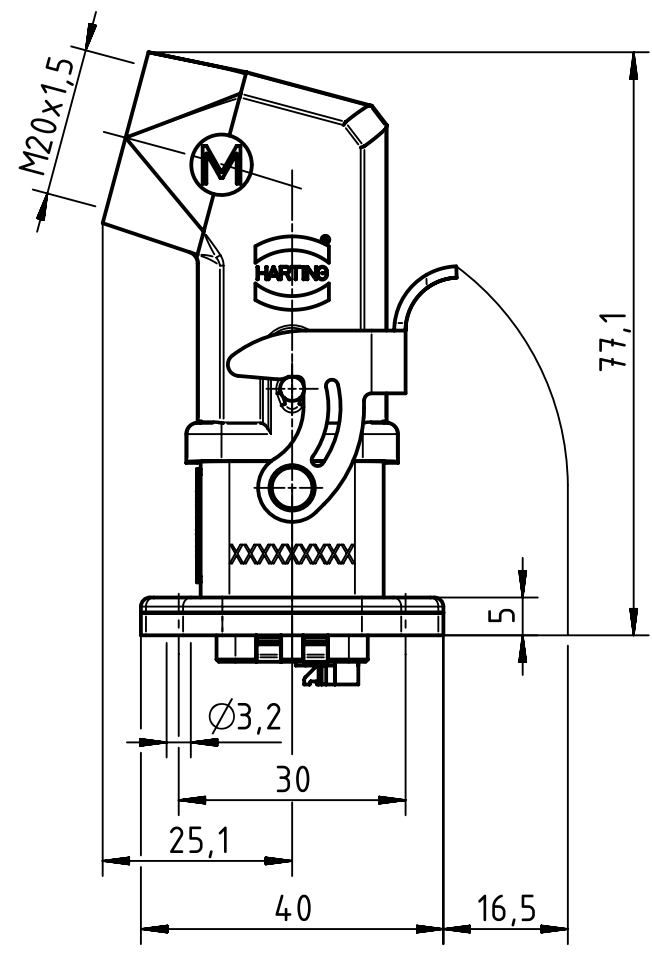
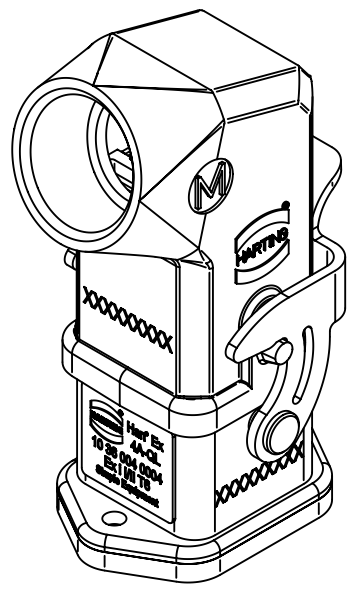
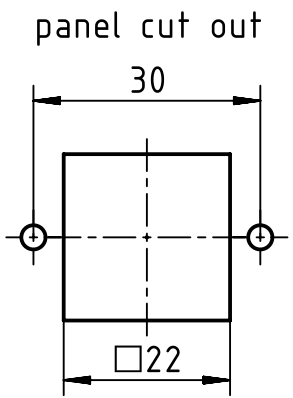


1 2 3 4 5 6

A  
B  
C  
D



	All Dimensions in mm Original Size DIN A4		Scale 1:1	Free size tol.		Ref.		
	All rights reserved Department EL PD - DE		Created by HARLASSK	Inspected by MOOR	Standardisation TIEMANNA	Sub.		
HARTING Electric GmbH & Co. KG D-32339 Espelkamp			Title Han Ex 4A-QL Kit HBM/HSE-M20			Date 2015-05-19	State Final Release	
			Type TB	Number 10 36 004 0004		Doc-Key / ECM-Nr. 100570286/UGD/002/B 500000089331	Rev. B	Page 1/1