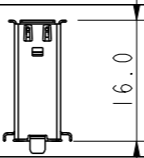
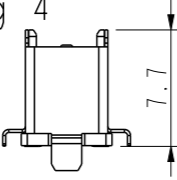
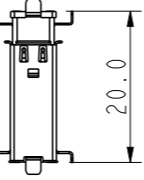
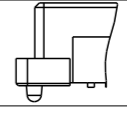
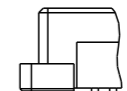


10147213-AA B C D E FF

AA	POSITION
04	2X20
06	2X30
64	2X32
08	2X40
10	2X50
12	2X60
14	2X70

B	FOR RECEPTACLE. SEE DRAWING 10147212
COMBINATION OF MATED HEIGHT	Recep 4 
Plug 4 	

E	PACKAGING
6	T&R WITHOUT METAL CAP (WITH KAPTON TAPE)

D	POLARIZATION PEG	HOLD DOWN
0	YES 	NO
2	NO 	NO

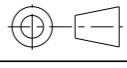
C	PLATING ON CONTACT AREA	FF
4	GOLD 0.2um MIN / PURE TIN 2um MIN (LEAD FREE) NICKEL UNDERPLATE OVERALL 1.27um MIN	LF
5	GOLD 0.38um MIN / PURE TIN 2um MIN (LEAD FREE) NICKEL UNDERPLATE OVERALL 1.27um MIN	LF
6	GOLD 0.76um MIN OR GXT 0.76um MIN / PURE TIN 2um MIN (LEAD FREE) NICKEL UNDERPLATE OVERALL 1.27um MIN	LF
9	GOLD 0.2um MIN / GOLD 0.05um MIN NICKEL UNDERPLATE OVERALL 1.27um MIN(LEADFREE)	LF

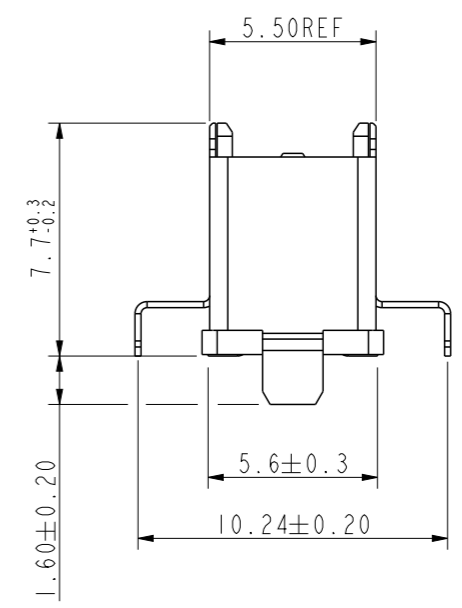
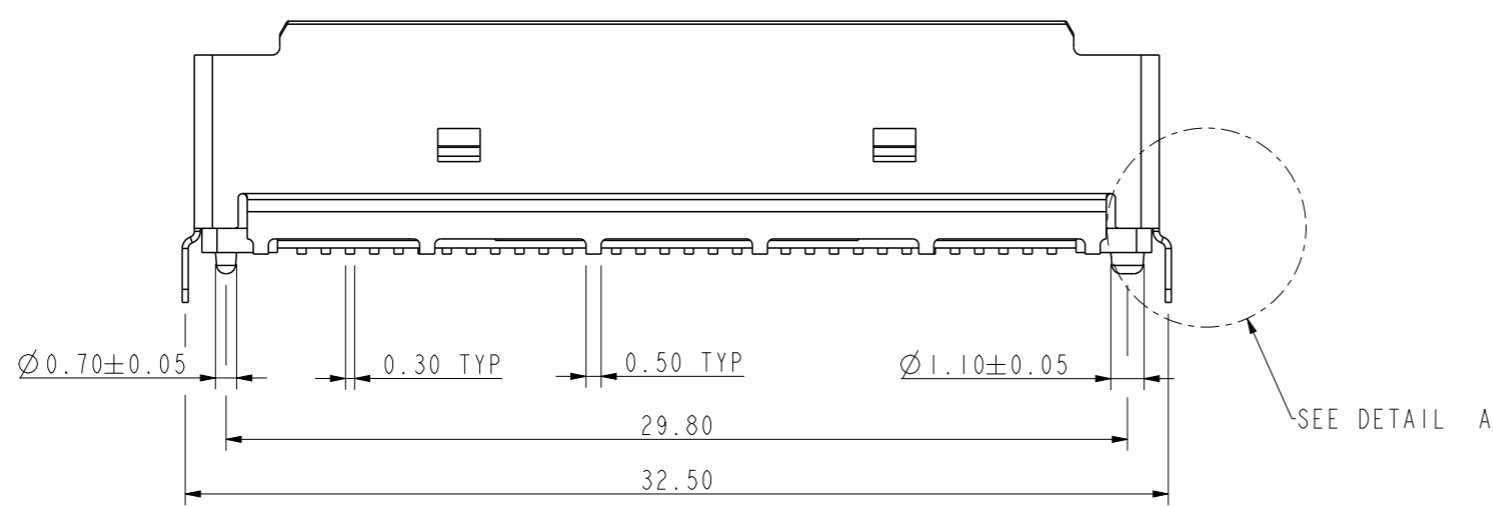
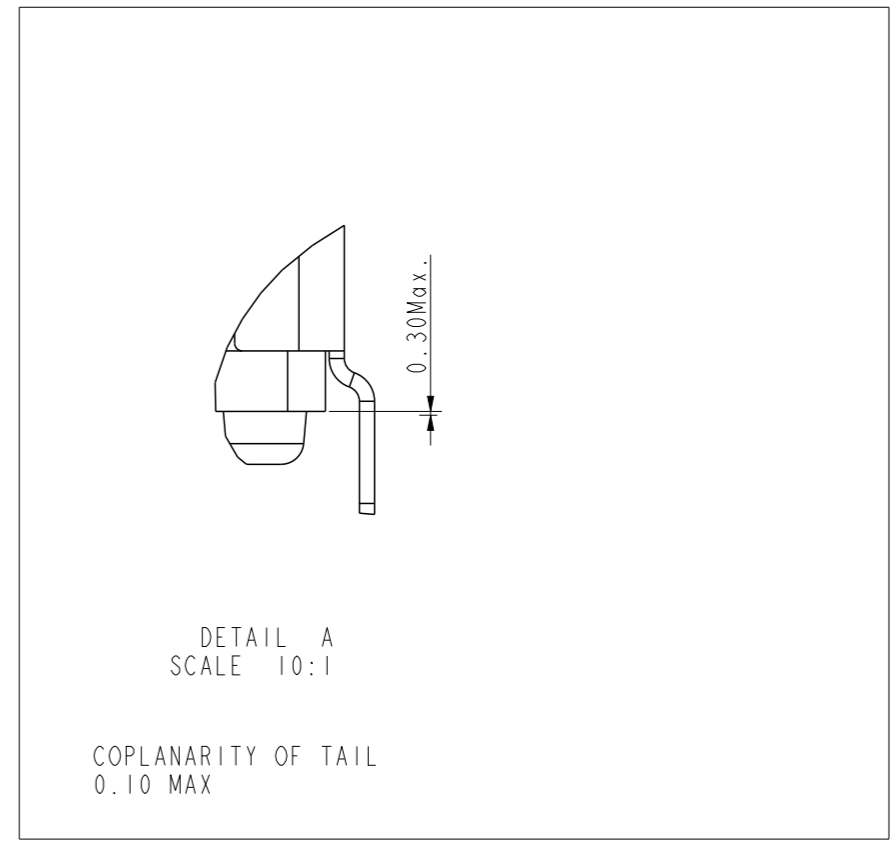
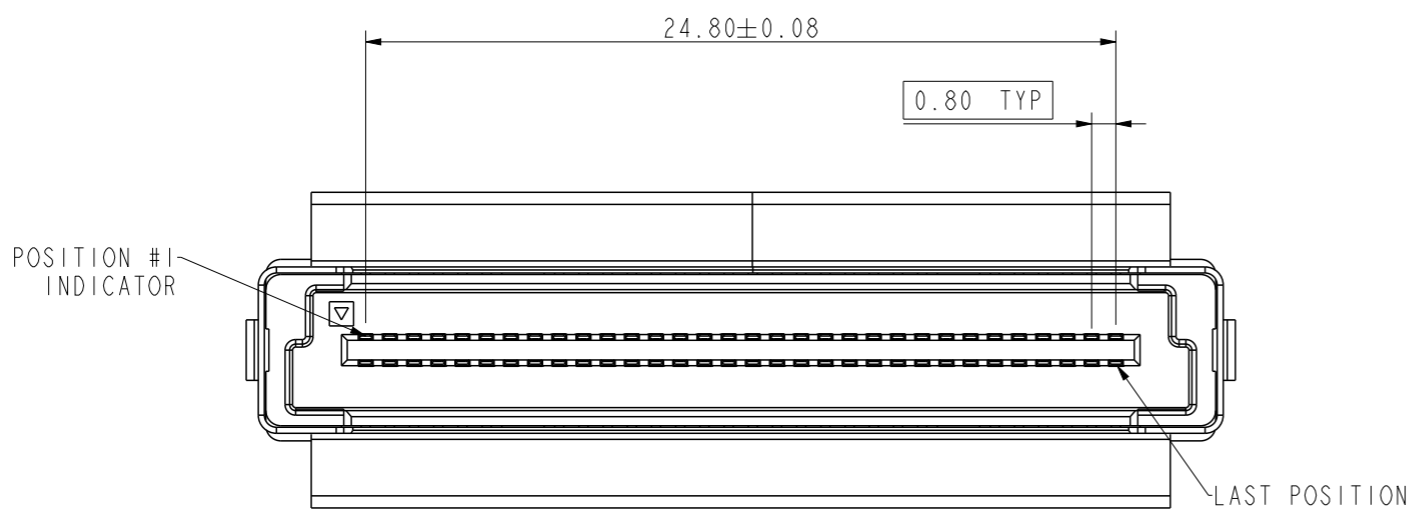
NOTE:

- MATERIAL:  
HOUSING: G.F. LCP, UL94-V0  
TERMINAL: COPPER ALLOY.  
SHIELDING: STAINLESS STEEL
- PLATING: AS SHOWN IN TABLE.
- SEE GS-12-1599 FOR PRODUCT SPEC.
- PACKAGING OPTION: NOT ALL SIZES ARE AVAILABLE. CHECK WITH FACTORY.
- THIS PRODUCT MEETS THE EUROPEAN UNION DIRECTIVES AND OTHER COUNTRY REGULATIONS AS DESCRIBED IN GS-22-008.
- THE HOUSING WILL WITHSTAND EXPOSURE UP TO 260°C PEAK TEMPERATURE FOR 30 SECONDS IN A CONVECTION, INFRA-RED OR VAPOR PHASE REFLOW OVEN.

Amphenol FCI

© 2016 AFCI

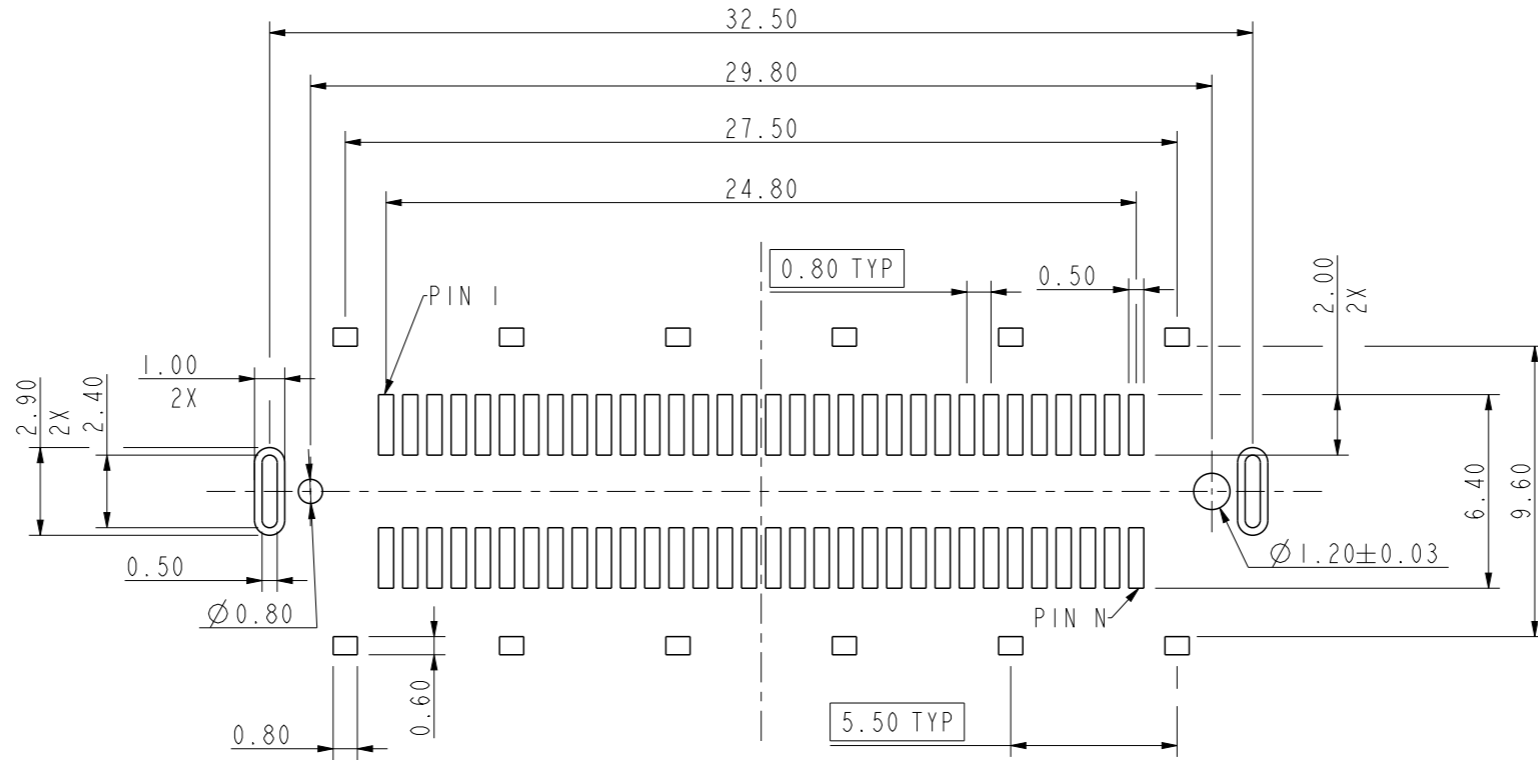
spec ref	dr	Bob Gu	2020/04/13	projection	MM	size	A3	scale	1:1
tolerance std	eng	Bob Gu	2020/04/30		← →	ecn no	ELX-N-36818-1	rel level	Released
ISO 406 ISO 1101	chr	-	-						
surface	linear	0.X	±0.30	Amphenol FCI	BERGSTAK 0.8MM PLUG SHIELDED ASS'Y	dwg no	10147213	rev	B
		0.XX	±0.15						
		0.XXX	±0.10						
ISO 1302	angular	0°	±2°	cat. no.	-	Product - Customer Drw	sheet 1 of 3		



RECEPTACLE 4

spec ref		dr	Bob Gu	2020/04/13	projection	MM	size	A3	scale	4:1	
tolerance std		eng	Bob Gu	2020/04/30			ecn no	ELX-N-36818-1			
ISO 406		TOLERANCES UNLESS OTHERWISE SPECIFIED	chr	-	product family	-	rel level	Released			
ISO 1101			appr	Tim Yao		2020/05/04					
surface	linear		0.X	±0.30	Amphenol FCI		BERGSTAK 0.8MM		dwg no	10147213	rev
		0.XX	±0.15	PLUG SHIELDED ASS'Y							
		0.XXX	±0.10								
ISO 1302	angular	0°	±2°	cat. no.	-	Product - Customer Drw		sheet 2 of 3			

PLUG 4



RECOMMENDED 64POS PCB LAYOUT WITH PEGS  
TOLERANCE: ±0.05

Amphenol  
FCi

© 2016 AFCI

spec ref		dr	Bob Gu	2020/04/13	projection	MM	size	A3	scale	4:1	
tolerance std		eng	Bob Gu	2020/04/30			ecn no		ELX-N-36818-1		
ISO 406 ISO 1101		chr	-	-			rel level		Released		
TOLERANCES UNLESS OTHERWISE SPECIFIED		appr	Tim Yao	2020/05/04	product family		-		-		
surface	linear	0.X	±0.30	<b>Amphenol FCi</b>	BERGSTAK 0.8MM		dwg no	10147213		rev	B
		0.XX	±0.15		PLUG SHIELDED ASS'Y						
		0.XXX	±0.10		cat. no.		-		Product - Customer Drw		sheet 3 of 3
ISO 1302	angular	0°	±2°								