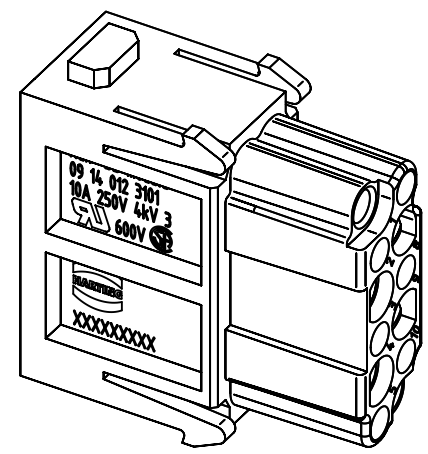
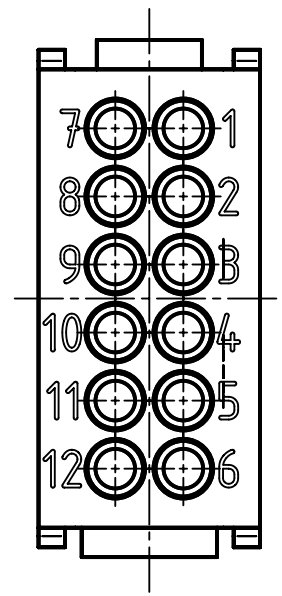
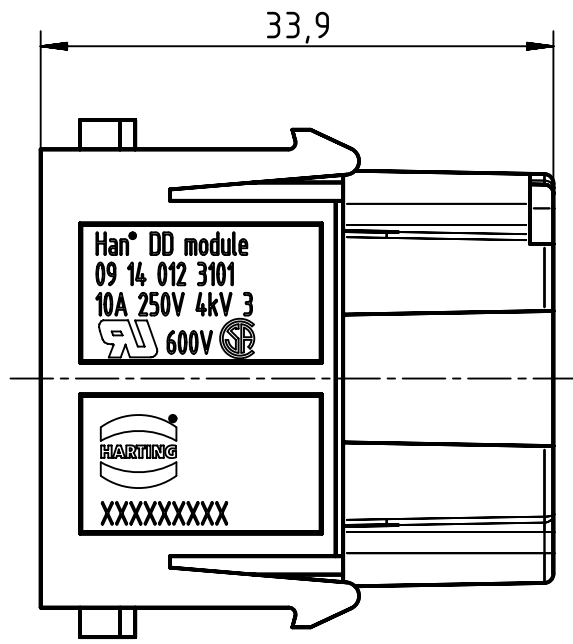
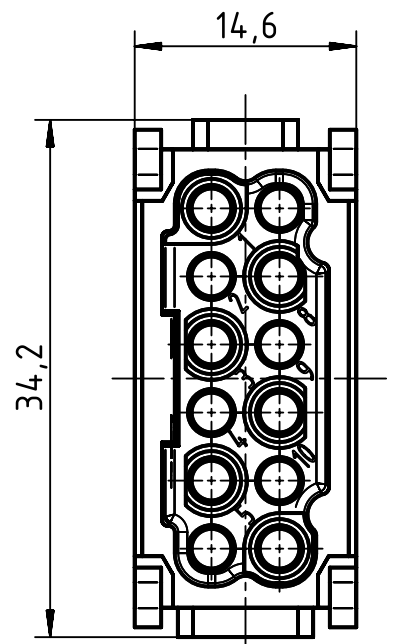


1 2 3 4 5 6

A  
B  
C  
D



	All Dimensions in mm Original Size DIN A4		Scale 2:1	Free size tol.		Ref.	
						Sub.	
	All rights reserved Department EL PD - DE		Created by RULLKOETTER	Inspected by SCHNIEDER	Standardisation RUETERA	Date 2015-08-10	State Final Release
	HARTING Electric GmbH & Co. KG D-32339 Espelkamp		Title Han DD module, crimp female			Doc-Key / ECM-Nr. 100518613/UGD/001/B 500000091604	
			Type TB	Number 09 14 012 3101		Rev. B	Page 1/1