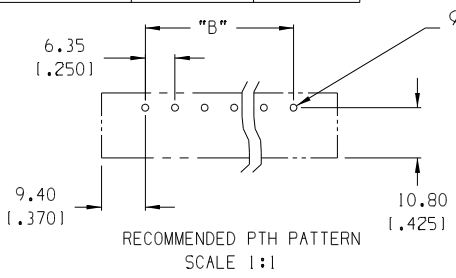
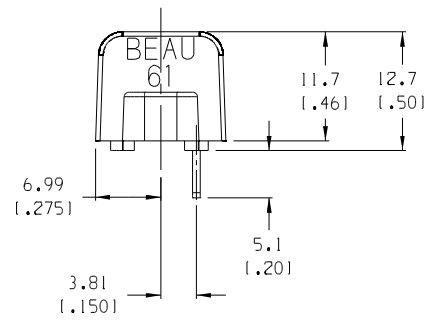
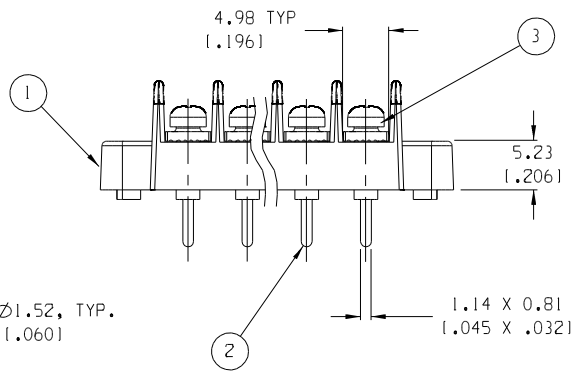
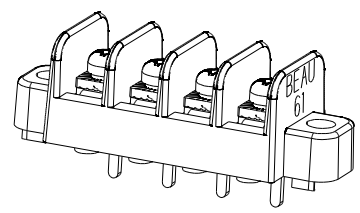
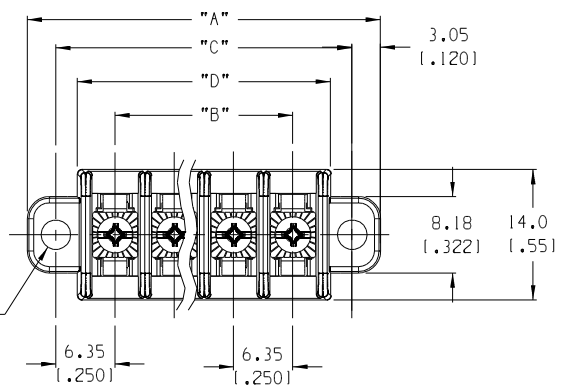


	10	9		8		7		6	5	4	3	2	1	
QTY. OF CIRC. "XX"	DIM. "A"	DIM. "B"		DIM. "C"		DIM. "D"		MATERIAL # (-50 OPT.)						
F 02	25.1	1.991	6.35	1.2501	19.05	1.7501	14.4	1.571	38610-7602					
03	31.5	1.241	12.70	1.5001	25.40	1.1000	20.8	1.821	38610-7603					
04	37.8	1.491	19.05	1.7501	31.75	1.2501	27.1	1.1071	38610-7604					
05	44.2	1.741	25.40	1.1000	38.10	1.1500	33.5	1.1321	38610-7605					
06	50.5	1.991	31.75	1.2501	44.45	1.1750	39.8	1.1571	38610-7606					
07	56.9	1.241	38.10	1.1500	50.80	1.2000	46.2	1.1821	38610-7607					
08	63.2	1.491	44.45	1.1750	57.15	1.2250	52.5	1.2071	38610-7608					
09	69.6	1.241	50.80	1.2000	63.50	1.2500	58.9	1.2321	38610-7609					
10	75.9	1.291	57.15	1.2250	69.85	1.2750	65.2	1.2571	38610-7610					
E 11	82.3	1.341	63.50	1.2500	76.20	1.3000	71.6	1.2821	38610-7611					
12	88.6	1.391	69.85	1.2750	82.55	1.3250	77.9	1.3071	38610-7612					
13	95.0	1.341	76.20	1.3000	88.90	1.3500	84.3	1.3321	38610-7613					
14	101.3	1.391	82.55	1.3250	95.25	1.3750	90.6	1.3571	38610-7614					
15	107.7	1.441	88.90	1.3500	101.60	1.4000	97.0	1.3821	38610-7615					
16	114.0	1.491	95.25	1.3750	107.95	1.4250	103.3	1.4071	38610-7616					
17	120.4	1.441	101.60	1.4000	114.30	1.4500	109.7	1.4321	38610-7617					
18	126.7	1.491	107.95	1.4250	120.65	1.4750	116.0	1.4571	38610-7618					
19	133.1	1.541	114.30	1.4500	127.00	1.5000	122.4	1.4821	38610-7619					
D 20	139.4	1.591	120.65	1.4750	133.35	1.5250	128.7	1.5071	38610-7620					
21	145.8	1.541	127.00	1.5000	139.70	1.5500	135.1	1.5321	38610-7621					
22	152.1	1.591	133.35	1.5250	146.05	1.5750	141.4	1.5571	38610-7622					
23	158.5	1.641	139.70	1.5500	152.40	1.6000	147.8	1.5821	38610-7623					
24	164.8	1.691	146.05	1.5750	158.75	1.6250	154.1	1.6071	38610-7624					
25	171.2	1.641	152.40	1.6000	165.10	1.6500	160.5	1.6321	38610-7625					
26	177.5	1.691	158.75	1.6250	171.45	1.6750	166.8	1.6571	38610-7626					
27	183.9	1.741	165.10	1.6500	177.80	1.7000	173.2	1.6821	38610-7627					
28	190.2	1.791	171.45	1.6750	184.15	1.7250	179.5	1.7071	38610-7628					
C 29	196.6	1.741	177.80	1.7000	190.50	1.7500	185.9	1.7321	38610-7629					
30	202.9	1.791	184.15	1.7250	196.85	1.7750	192.2	1.7571	38610-7630					
31	209.3	1.841	190.50	1.7500	203.20	1.8000	198.6	1.7821	38610-7631					
32	215.6	1.891	196.85	1.7750	209.55	1.8250	204.9	1.8071	38610-7632					



- NOTES:
1. MATERIAL: SEE TABLE
  2. FINISHES: SEE TABLE
  3. PRODUCT SPECIFICATION: NOT REQUIRED
  4. PACKAGING: NOT REQUIRED
  5. MATES WITH: NONE
  6. "XX" REFERS TO NUMBER OF CIRCUITS

ITEM	QTY.	DESCRIPTION	MATERIAL	FINISH
3	XX	SCREW & WASHER, #3-48 (-50 OPT)	STEEL	ZN, CLEAR CHROMATE
2	XX	TERMINAL, PC, STYLE 5	BRASS	TIN PLATE
1	1	BARRIER TERMINAL STRIP	THERMOPLASTIC	BLACK

EC NO. RELEASED DRW: CLY CH: K: APPR:	QUALITY SYMBOLS MAJOR CRITICAL SPC	GENERAL TOLERANCES: (UNLESS SPECIFIED)		SCALE 2:1	DESIGN UNITS <input type="checkbox"/> mm <input checked="" type="checkbox"/> INCH	THIRD ANGLE PROJECTION	PROJECT NO. - - -	DIMENSIONS: <input checked="" type="checkbox"/> mm <input type="checkbox"/> INCH <input type="checkbox"/> mm ONLY	SHT REV
		4 PLACES ±.0015 3 PLACES ±.005 2 PLACES ±.01 1 PLACE ±.3	DRAWN BY & DATE C. YORK 11-22-04	CHECKED BY & DATE	TITLE: 6.35mm (.250") SR BTS ASSY, CLAMP WASHER SCREW	REVISE ON CAD ONLY			
REV A	DESCRIPTION	ANGULAR: ±2°	DRAFT WHERE APPLICABLE MUST REMAIN WITHIN DIMENSIONS	APPROVED BY & DATE	CAD FILENAME 615XX	MOLEX INCORPORATED	MATERIAL NO. SEE CHART	DRAWING NO. SD-38610-004	SHEET NO. 1 OF 1
THIS DRAWING CONTAINS INFORMATION THAT IS PROPRIETARY TO MOLEX INCORPORATED AND SHOULD NOT BE USED WITHOUT WRITTEN PERMISSION.								SIZE B	