



MADE IN THE USA

Related Products (each sold separately):

- KS010-0412, Floor Stand - All Steel
- KS201-0029, Floor Stand
- MP-070, Sign Holder - Vertical (shown below)
- MP-075, Sign Holder - Horizontal (shown below)



MP-070



MP-075

Product Description:

- Respiratory Hygiene Station
- Holds two boxes of face masks, one or two boxes of facial tissues or one box of gloves, and one hand sanitizer dispenser
- Keyholes and screw holes for wall mounting or can be mounted to a floor stand
- Quartz Beige Powder-Coated Steel

Primary Area for Product Usage:

- All ports of entry
- Anywhere respiratory hygiene products are needed

Dispenses:

- Left: One hand sanitizing gel or foam dispenser no larger than 8.35"W x 14.75"H x 5.00"D (21.2 cm x 37.5 cm x 12.7 cm)
- [Note: Refer to automatic dispensing specifications on detection distance requirements.]
- Middle: Box(es) no larger than 8.00"W x 9.50"H x 4.75"D (20.3 cm x 24.1 cm x 12.1 cm)
- Right: Box(es) no larger than 5.50"W x 9.50"H x 4.75"D (13.7 cm x 24.1 cm x 12.1 cm)

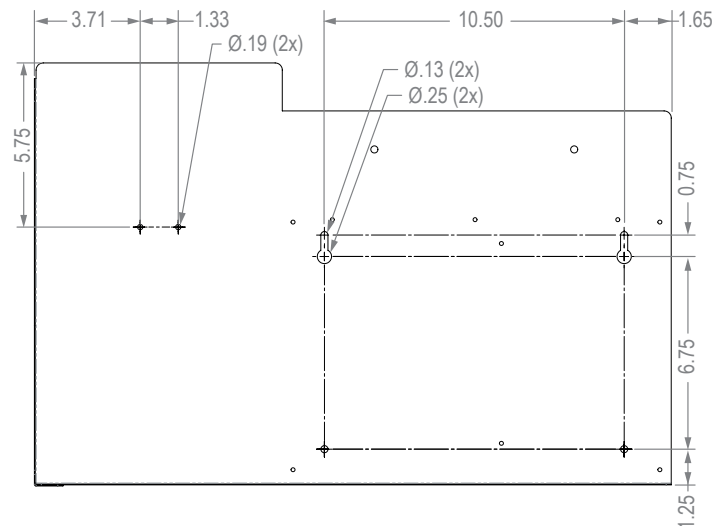
Package Specifications:

- Package Quantity: 1 per case
- 24"L x 16"W x 6"H (61.0 cm x 40.6 cm x 15.2 cm)
- 8.0 lbs (3.6 kg) - approximated

Product Specifications (overall external dimensions):

- 22.31"W x 14.78"H x 5.06"D (56.7 cm x 37.5 cm x 12.9 cm)
- 5.8 lbs (2.6 kg) - approximated

Mounting Specifications:



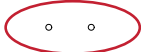
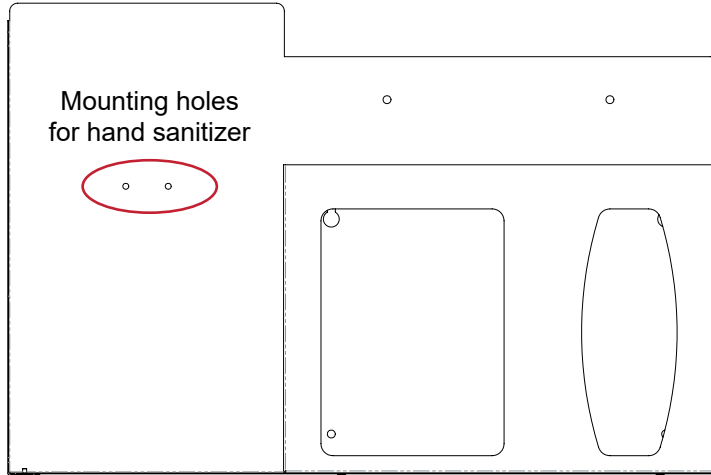


Installation

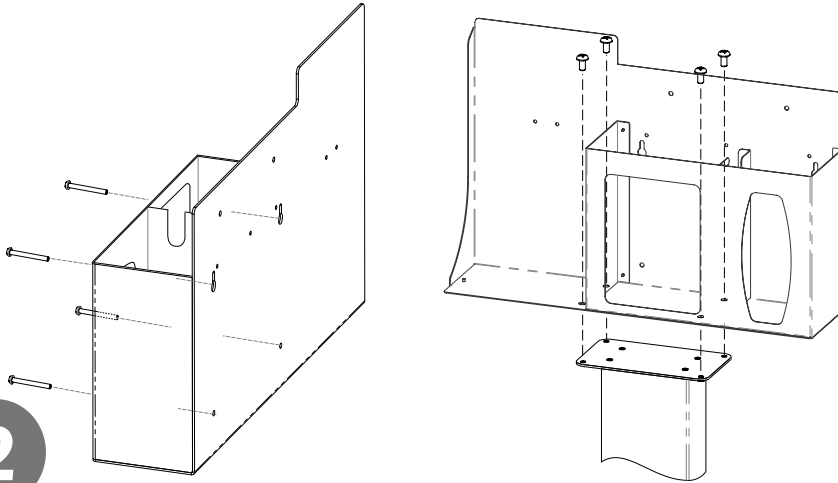
Always mount dispensers securely *prior* to loading with product.

- Attach the empty hand sanitizer dispenser first.
- Do NOT load sanitizer until after dispenser is mounted to a wall or stand.

Mounting holes
for hand sanitizer

**1**

- Mount securely to a wall with screws approved and supplied by building maintenance.
- It can also be mounted to a BOWMAN® Floor Stand (sold separately).

**2**

Parts included:

- Dispenser

Tools Required:

- No tools required to assemble dispenser

Care and Construction

Powder-Coated Steel

Material Characteristics

Designed for Long-Term Use

Our steel dispensers and stands are coated with polyester powders which makes them highly resistant to corrosion.

Powder-coated steel is ideal for dispensers used in a healthcare or an industrial setting because it is impact resistant and is not effected by extremes in temperature.

Dispensers and stands made of powder-coated steel are both attractive and functional, providing years of service.

Care and Cleaning

The powder coated finish resists common chemicals and cleaning agents and can be easily wiped clean with soap and water.