

**Cables** <sup>CE RoHS</sup>

**2016**

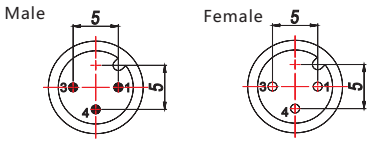
## Quick Connect Cables



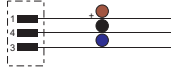
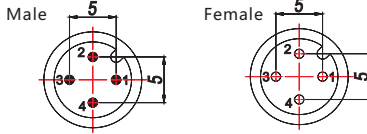
INDUCTIVE  
METAL FACE  
HIGH/LOW TEMPERATURE  
PHOTOELECTRIC  
ULTRASONIC  
ADAPTIVE  
CAPACITIVE  
**QUICK CONNECT CABLES**  
CUSTOMIZATION

## M12 Right Angle

### 3 Pins



### 4 Pins



### Type

Type	3pin		4pin	
	2m	5m	2m	5m
Male Right angle				
PVC	EAM3-NZV012	EAM3-NZV015	EAM4-NZV012	EAM4-NZV015
PUR	EAM3-NZU012	EAM3-NZU015	EAM4-NZU012	EAM4-NZU015
Female Right angle				
PVC	EAF3-NZV012	EAF3-NZV015	EAF4-NZV012	EAF4-NZV015
PUR	EAF3-NZU012	EAF3-NZU015	EAF4-NZU012	EAF4-NZU015

## Specifications

Application Class: HNA acc. to DIN 40040  
 (-25 °C +90 °C / ≤ 100%rF)

Moulded Body: TPU, self-extinguishing

Nominal Power: 4A

Nominal Voltage: 3+4poles, 250VAC/300VDC  
 5poles, 30VAC/36VDC

Contact: CuZn, pre-nickeled and  
 0.8 microns gold-plated

Body : TPU, self-extinguishing

Securing Safety Nut: Nickel plated brass

Protection: IP 68

Insulation Resistance: C acc.to VDE 0110

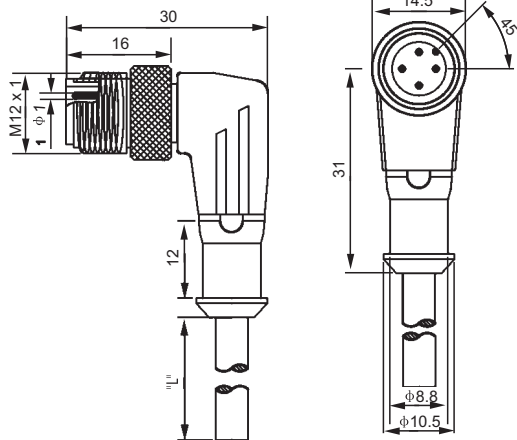
Test Voltage: 3+4poles, 2.0 KV eff./60s.  
 5poles, 1.5 KV eff./60s.

Insulation Resistance: > 10<sup>9</sup> Ω

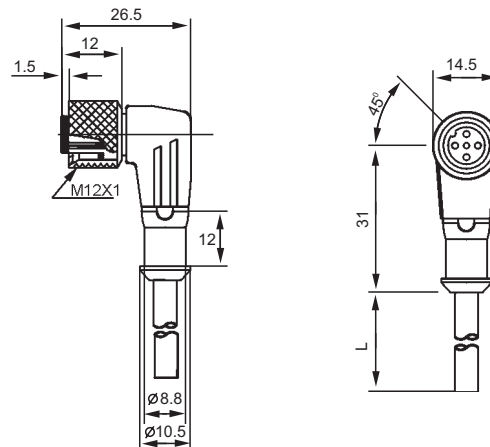
CSA certified:

## Size

### M12 Male Right Angle



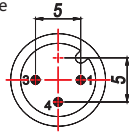
### M12 Female Right angle



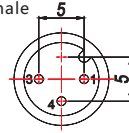
## M12 Straight

3 Pins

Male

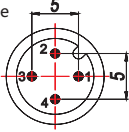


Female

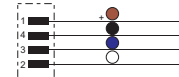
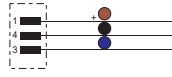
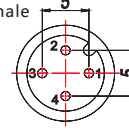


4 Pins

Male



Female



Type

Type	3pin		4pin	
	2m	5m	2m	5m
Male Straight				
PVC	ESM3-NZV012	ESM3-NZV015	ESM4-NZV012	ESM4-NZV015
PUR	ESM3-NZU012	ESM3-NZV015	ESM4-NZU012	ESM4-NZU015
Female Straight				
PVC	ESF3-NZV012	ESF3-NZV015	ESF4-NZV012	ESF4-NZV015
PUR	ESF3-NZU012	ESF3-NZU015	ESF4-NZU012	ESF4-NZU015

## Specifications

Application Class: HNA acc. to DIN 40040  
 (-25 °C +90 °C / ≤100%rF)

Moulded Body: TPU, self-extinguishing

Nominal Power: 4A

Nominal Voltage: 3+4poles, 250VAC/300VDC  
 5poles, 30VAC/36VDC

Contact: CuZn, pre-nickel and  
 0.8 microns gold-plated

Body : TPU, self-extinguishing

Securing Safety Nut: Nickel plated brass

Protection: IP 68

Insulation Resistance: C acc.to VDE 0110

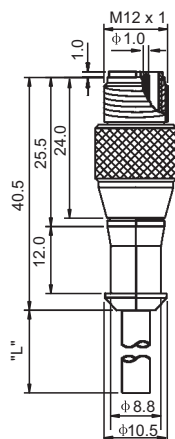
Test Voltage: 3+4poles, 2.0 KV eff./60s.  
 5poles, 1.5 KV eff./60s.

Insulation Resistance: > 10<sup>9</sup> Ω

CSA certified:

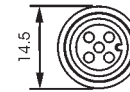
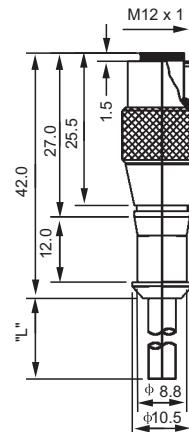
## Size

M12 Male Straight



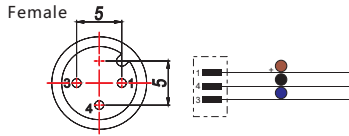
\* Diameter of 8 pins : Φ0.8mm

M12 Female Straight



## M12 Lighted Right Angle and Straight

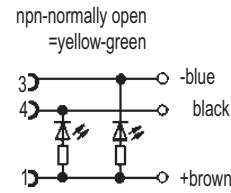
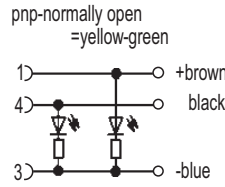
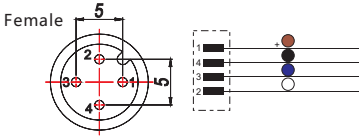
3 Pins



PNP

NPN

4 Pins



Type

Type	3pin		4pin/3-WIRE	
	2m	5m	2m	5m
Female Straight				
PVC PNP	ESF3-NPV012	ESF3-NPV015	ESF4/3-NPV012	ESF4/3-NPV015
PUR PNP	ESF3-NPU012	ESF3-NPU015	ESF4/3-NPU012	ESF4/3-NPU015
PVC NPN	ESF3-NNV012	ESF3-NNV015	ESF4/3-NNV012	ESF4/3-NNV015
PUR NPN	ESF3-NNU012	ESF3-NNU015	ESF4/3-NNU012	ESF4/3-NNU015
Female Right angle				
PVC PNP	EAF3-NPV012	EAF3-NPV015	EAF4/3-NPV012	EAF4/3-NPV015
PUR PNP	EAF3-NPU012	EAF3-NPU015	EAF4/3-NPU012	EAF4/3-NPU015
PVC NPN	EAF3-NNV012	EAF3-NNV015	EAF4/3-NNV012	EAF4/3-NNV015
PUR NPN	EAF3-NNU012	EAF3-NNV015	EAF4/3-NNU012	EAF4/3-NNU015

## Specifications

Application Class: HNA acc. to DIN 40040  
 (-25 °C / +90 °C / ≤ 100%rF)

Moulded Body: TPU, self-extinguishing

Nominal Power: 4A(CSA=3A)

Nominal Voltage: 10-30VDC

Contact: CuSn, brass, pre-nickel and 0.3 microns gold-plated

O-Ring: Viton

Body: TPU, self-extinguishing

Securing Safety Nut: Nickel plated brass

Protection: IP 68

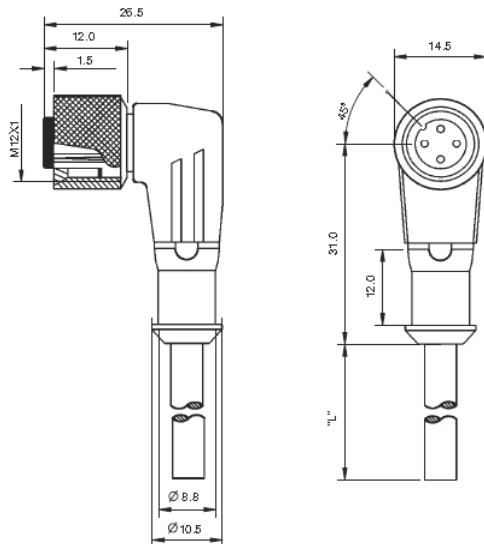
Insulation Group: C acc. to VDE 0110

Contact Resistance: ≤ 5m Ω

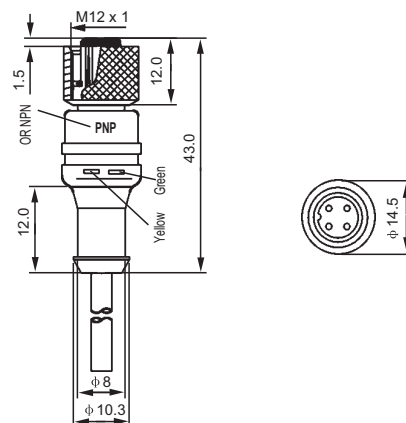
Insulation Resistance: > 10<sup>9</sup> Ω

## Size

M12 Female Right Angle



M12 Female Straight



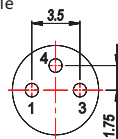
## M8 Straight

4 Pins

Male

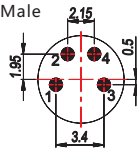


Female

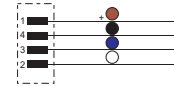
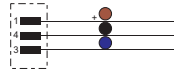
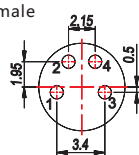


4 Pins

Male



Female



Type

Type	3pin		4pin	
	2m	5m	2m	5m
Male				
PVC	PSM3-NZV012	PSM3-NZV015	PSM4-NZV012	PSM4-NZV015
PUR	PSM3-NZU012	PSM3-NZU015	PSM4-NZU012	PSM4-NZU015
Female				
PVC	PSF3-NZV012	PSF3-NZV015	PSF4-NZV012	PSF4-NZV015
PUR	PSF3-NZU012	PSF3-NZU015	PSF4-NZU012	PSF4-NZU015

## Specifications

Application Class: HNE acc.to DIN 40040  
 (-25 °C / +90 °C / ≤ 75%rF)

Moulded Body: TPU, self-extinguishing

Nominal Power: 4A

Nominal Voltage: 60VAC/75VDC

Contact: CuZn, pre-nickel and  
 0.8microns gold-plated

O-Ring: Viton

Body: TPU, self-extinguishing

Securing Safety Nut: Nickel plated brass

Protection: IP 67

Contact Resistance: ≤ 5m Ω

Insulation Group: C acc.to VDE 0110

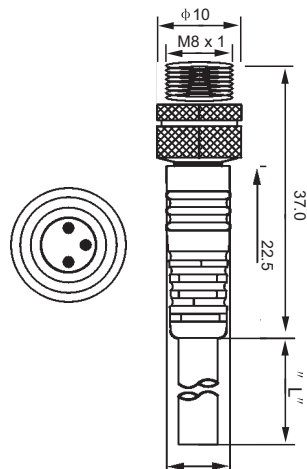
Test Voltage: 1.5 KV eff./ 60 s.

Insulation Resistance: >10<sup>9</sup>Ω

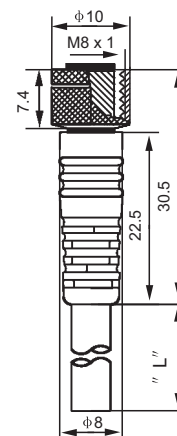
CSA certified:

## Size

M8 Male Straight



M8 Female Straight



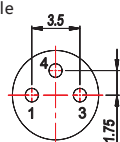
## M8 Right Angle

### 4 Pins

Male

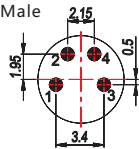


Female

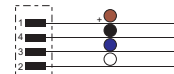
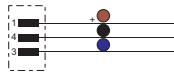
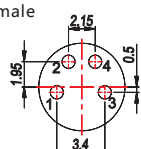


### 4 Pins

Male



Female



### Type

Type	3pin		4pin	
	2m	5m	2m	5m
Male				
PVC	PAM3-NZV012	PAM3-NZV015	PAM4-NZV012	PAM4-NZV015
PUR	PAM3-NZU012	PAM3-NZU015	PAM4-NZU012	PAM4-NZU015
Female				
PVC	PAF3-NZV012	PAF3-NZV015	PAF4-NZV012	PAF4-NZV015
PUR	PAF3-NZU012	PAF3-NZU015	PAF4-NZU012	PAF4-NZU015

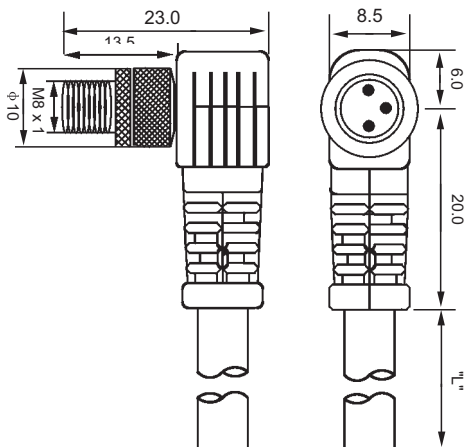
## Specifications

Application Class: HNE acc.to DIN 40040  
 (-25 °C / +90 °C / ≤ 75%rF)  
 Moulded Body: TPU, self-extinguishing  
 Nominal Power: 4A  
 Nominal Voltage: 60VAC/75VDC  
 Contact: CuZn, pre-nickel and  
 0.8microns gold-plated  
 O-Ring: Viton

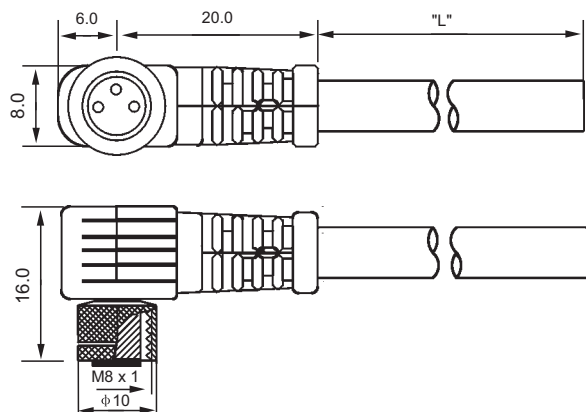
Body: TPU, self-extinguishing  
 Securing Safety Nut: Nickel plated brass  
 Protection: IP 67  
 Contact Resistance: ≤ 5mΩ  
 Insulation Group: C acc.to VDE 0110  
 Test Voltage: 1.5 KV eff./ 60 s.  
 Insulation Resistance: >10<sup>9</sup>Ω  
 CSA certified:

## Size

M8 Male Right angle



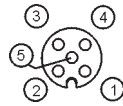
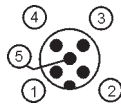
M8 Female Right angle



## M12 5 and 8 Pin Right Angle

5 Pins  
Male

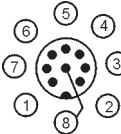
Face View  
Female



1=brown  
2=white  
3=blue  
4=black  
5=gray

8 Pins  
Male

Female



1=white  
2=brown  
3=green  
4=yellow  
5=grey  
6=pink  
7=blue  
8=red



Type

Male Right Angle

PVC

PUR

Female Right Angle

PVC

PUR

5pin

2m

5m

8pin

2m

5m

EAM5-NZV022

EAM5-NZV025

EAM8-NZV022

EAM8-NZV025

EAM5-NZU022

EAM5-NZV025

EAM8-NZU022

EAM8-NZU025

EAF5-NZV022

EAF5-NZV025

EAF8-NZV022

EAF8-NZV025

EAF5-NZU022

EAF5-NZU025

EAF8-NZU022

EAF8-NZU025

For Different Lengths of Cable use last digit to specify X meters (2,3,5,10,15): EAF5-NZU02X

## Specifications

Application Class: HNA acc. to DIN 40040  
(-25 °C / +90 °C / ≤ 100%rF)

Moulded Body: TPU, self-extinguishing

Nominal Power: 8 poles=1.5A, 5 poles 4A

Nominal Voltage: 3+4poles, 250VAC/300VDC

5+8poles, 30VAC/36VDC

Contact: CuZn, pre-nickeled and  
0.8 microns gold-plated

Body: TPU, self-extinguishing

Securing Safety Nut: Nickel plated brass

Protection: IP 68

Insulation Group: C acc.to VDE 0110

Test Voltage: 3+4poles, 2.0 KV eff./60s.

5+8poles, 1.5 KV eff./60s.

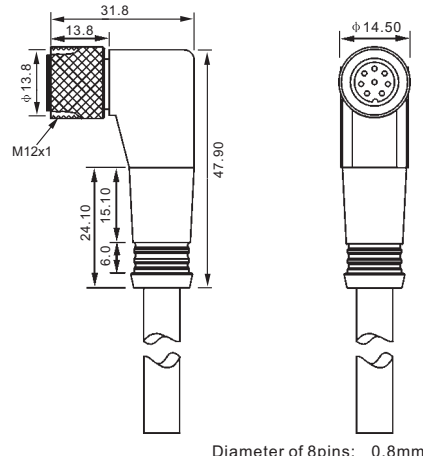
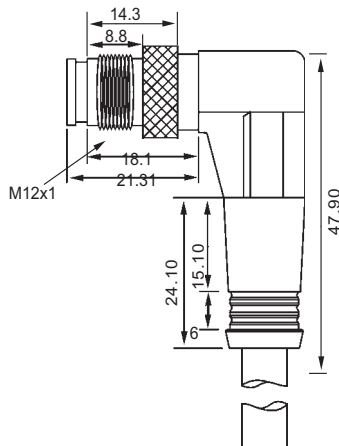
Insulation Resistance: >10<sup>9</sup> Ω

CSA certified:

## Size

M12 Male RA

M12 Female RA



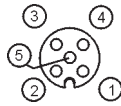
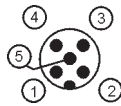
Diameter of 8pins: 0.8mm

Guage	Stranding	φ mm	Material
0.50mm <sup>2</sup>	65 x φ0.10	7.2	PVC/PUR

## M12 5 and 8 Pin Straight

5 Pins  
Male

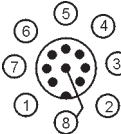
Face View  
Female



1=brown  
2=white  
3=blue  
4=black  
5=gray

8 Pins  
Male

Female



1=white  
2=brown  
3=green  
4=yellow  
5=grey  
6=pink  
7=blue  
8=red



Type

Male Straight	5pin		8pin	
	2m	5m	2m	5m
PVC	ESM5-NZV022	ESM5-NZV025	ESM8-NZV022	ESM8-NZV025
PUR	ESM5-NZU022	ESM5-NZU025	ESM8-NZU022	ESM8-NZU025
Female Straight				
PVC	ESF5-NZV022	ESF5-NZV025	ESF8-NZV022	ESF8-NZV025
PUR	ESF5-NZU022	ESF5-NZU025	ESF8-NZU022	ESF8-NZU025

For Different Lengths of Cable use last digit to specify X meters (2,3,5,10,15): ESF5-NZU02X

## Specifications

Application Class: HNA acc. to DIN 40040  
(-25 °C / +90 °C / ≤ 100%rF)

Moulded Body: TPU, self-extinguishing

Nominal Power: 8 poles=1.5A, 5 poles 4A

Nominal Voltage: 3+4poles, 250VAC/300VDC  
5+8poles, 30VAC/36VDC

Contact: CuZn, pre-nickeled and  
0.8 microns gold-plated

Body: TPU, self-extinguishing

Securing Safety Nut: Nickel plated brass

Protection: IP 68

Insulation Group: C acc.to VDE 0110

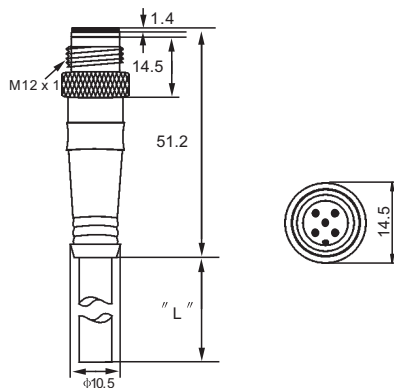
Test Voltage: 3+4poles, 2.0 KV eff./60s.  
5+8poles, 1.5 KV eff./60s.

Insulation Resistance: >10<sup>9</sup> Ω

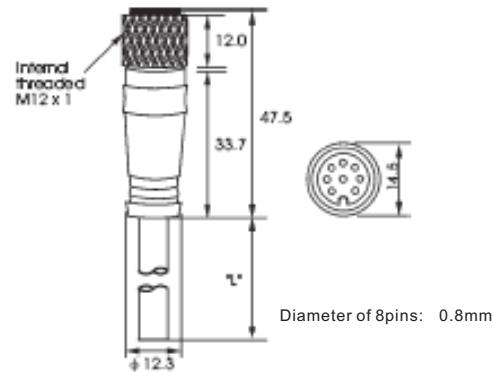
CSA certified:

## Size

M12 Male Straight



M12 Female Straight



Guage	Stranding	φ mm	Material
0.50mm <sup>2</sup>	65 x φ0.10	7.2	PVC/PUR