

MLB. Push-pull clamps

Steel



- 1
- 2
- 3
- 4
- 5
- 6
- 7
- 8
- 9
- 10
- 11
- 12
- 13
- 14
- 15
- 16
- 17
- 18

MATERIAL

C10 zinc-plated steel.

RIVETS

Zinc-plated steel.

BASE

Manganese phosphate pressed steel, black colour, pass-through holes.

PUSH LEVER

Zinc-plated steel.

HANDLE

Polyurethane, red colour.

STANDARD EXECUTIONS

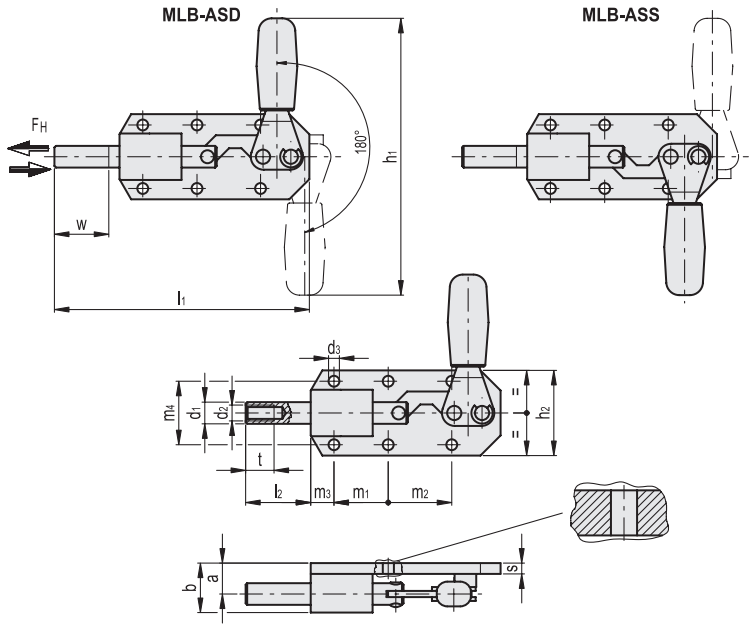
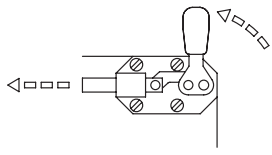
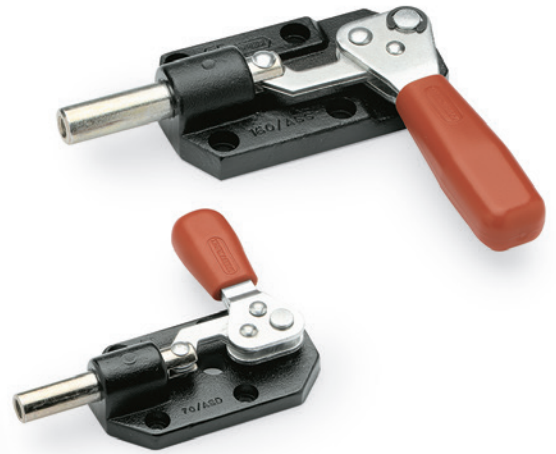
- **MLB-ASD**: with pressure clamping and right rotation.
- **MLB-ASS**: with pressure clamping and left rotation.

CLAMPING BOLT

To be ordered separately.

FEATURES AND APPLICATIONS

Main features of MLB. clamps include the application point that is very close to the mounting surface and a limited space vertically. Both push and pull clamping can be performed effectively.



METRIC

MLB-ASD

Code	Description	a	b	d1	d2	d3	h1	h2	l1	l2	m1	m2	m3	m4	s	t	Stroke w	FH* [N]	Δ
GG.AG075	MLB.70-ASD	12	19.5	8.5	M6	4.3	98	36	85	22	26	-	13	26	6	12	20	900	160
GG.AG165	MLB.160-ASD	15	25	11	M6	5.3	158	46	117	32	36.5	-	11.5	33.5	7	12	30	1300	350
GG.AG175	MLB.550-ASD	20	32	14	M8	7	225	55	164.5	42	35	41	15	41	7	16	42	4500	702

METRIC

MLB-ASS

Code	Description	a	b	d1	d2	d3	h1	h2	l1	l2	m1	m2	m3	m4	s	t	Stroke w	FH* [N]	Δ
GG.AG080	MLB.70-ASS	12	19.5	8.5	M6	4.3	98	36	85	22	26	-	13	26	6	12	20	900	160
GG.AG170	MLB.160-ASS	15	25	11	M6	5.3	158	46	117	32	36.5	-	11.5	33.5	7	12	30	1300	350
GG.AG180	MLB.550-ASS	20	32	14	M8	7	225	55	164.5	42	35	41	15	41	7	16	42	4500	702

Toggle and fastening clamps

* Holding force.