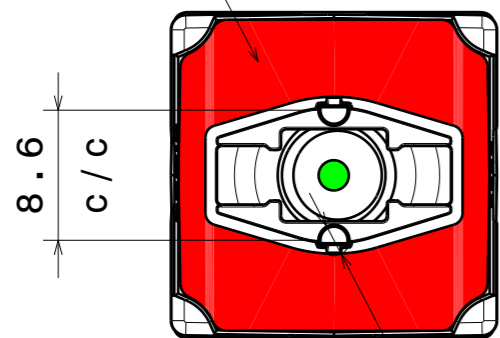
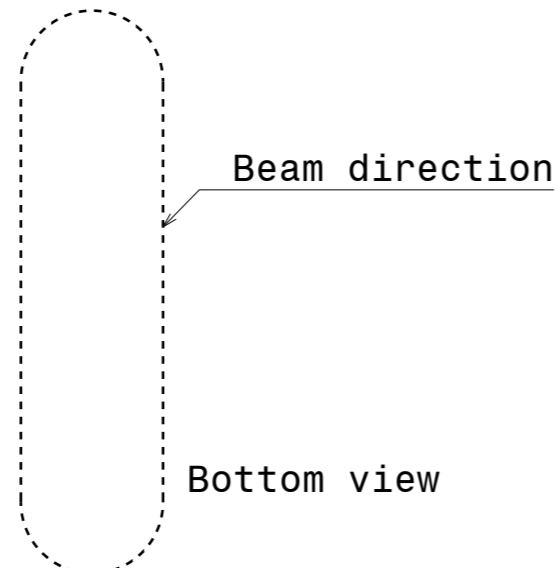


Acrylic foam tape 0.4mm



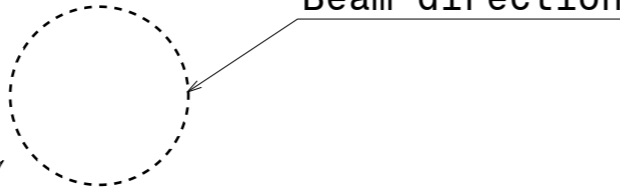
8.6  
C/C

∅ 2.05

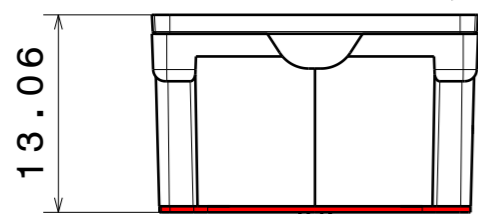


Beam direction

Bottom view

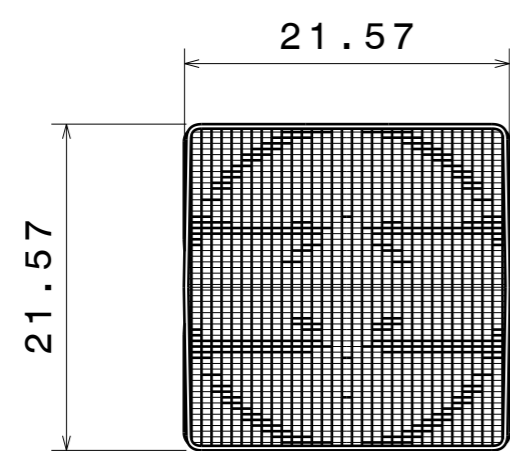


Beam direction



13.06

Front view



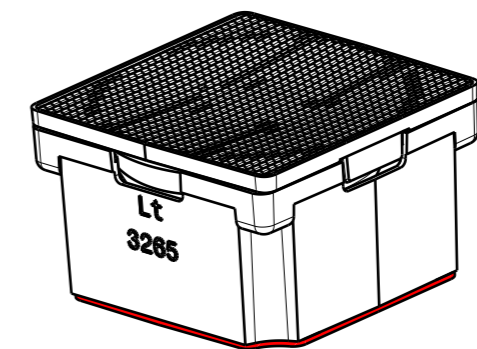
21.57

21.57

Top view

**Notes**

- PCB or heatsink level.
- LED location.
- Ensure LED fitting from a product specific 3D model available from [www.ledil.com](http://www.ledil.com).



Isometric view  
Scale: 2:1

**COMPONENTS**

CA13638\_G2-LAURA-O-WAS-P

INDEX	PART	TYPE	MATERIAL	COLOR / COATING
1	C10278_ROSE-TAPE		Tape	
2	C12725_LAURA-O-WAS		PMMA	
3	C13265_LAURA-Lt-PIN-XP-HLD-WHT		PC	white

MECHANICAL DRAWING		LEDiL <sup>®</sup>
PRODUCT <b>LAURA</b>		
Plastic moulding general tolerances according to DIN 16901-130 and applies if not otherwise shown in the drawing. Silicone moulding general tolerances according to ISO 3302-1 Class M3 and applies if not otherwise shown in the drawing.	FIRST ANGLE PROJECTION: 	This drawing is the property of LEDiL Oy. It may not be copied or otherwise distributed without prior written permission from LEDiL Oy.
SCALE 2:1	WEIGHT -	A3 SHEET 1/1